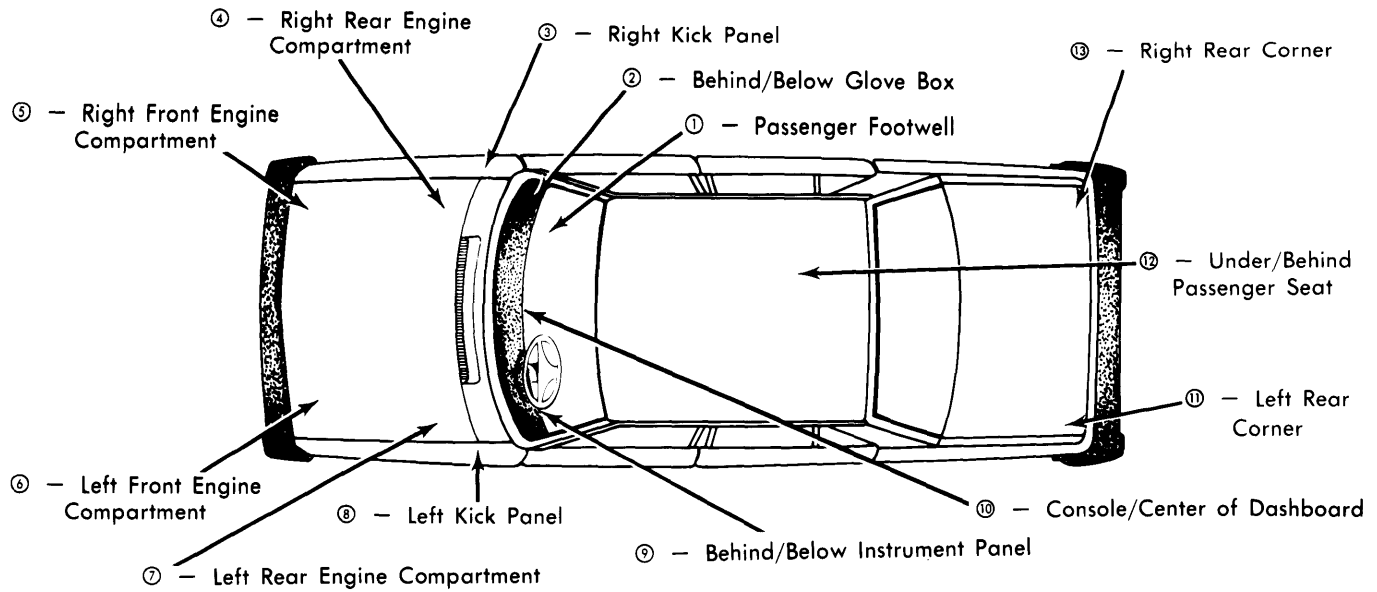


Fuse Blocks, Flashers & Relays

AUDI - FIAT



MAKE - MODELS	FUSE BLOCK	FLASHER	RELAYS
AUDI			
4000	⑨	⑨	Fuel Pump, Wiper⑨
5000	⑦	⑦	⑦
BMW			
320i	⑥	⑥	⑥
528i	⑥	⑥	⑥
633CSi	⑦	⑦	⑦
733i	⑥	⑥	⑥
CHRYSLER CORP. IMPORTS			
Arrow Pickup	⑧	⑨	⑨
Challenger	⑨	⑨	Lights⑥, Others⑨
Champ	⑨	⑨	⑨
Colt	⑨	⑨	⑨
Ram-50 Pickup	⑧	⑨	⑨
Sapporo	⑨	⑨	Lights⑥, Others⑨
COURIER			
Pickup	⑦	⑨	Horn⑥, Wipers⑨
DATSUN			
200SX	②	⑨	Ign.③, A/C④, Others③
210	⑧	⑨	Wiper, Horn⑨, Others③
280ZX & 280ZX Turbo	③	⑨	Ign., Fuel Pump③, Horn, EFI④, Cruise Control⑩, Others③
310	⑧	③⑧	Neutral, Wiper, Choke, Horn⑤, Fan, Seat Belt⑦, Others③
510	⑨	⑨	③
810 & 810 Diesel	②	⑨	Cruise Control③, Power Windows, Sun Roof⑥, Others③
Pickup & Diesel Pickup	⑧	⑨	Choke③, Heater, Headlight ⑥, Wiper, Horn⑨
FIAT			
Brava	②	⑨	Fuel Inj.⑦, Others②
Spider 2000 & Turbo	⑨	⑨	A/C⑤, Fuel Inj.⑨, Others②
Strada	⑨	⑨	Fuel Inj.⑦, Others⑨
X1/9	②	②	Inj. Fan⑩, Others②

NOTE - Locate the make and model of the vehicle in the left column. Use the numbers listed under the appropriate column (Fuse Blocks, Flashers or Relays) and refer to the illustration above to find the general area where component is located.