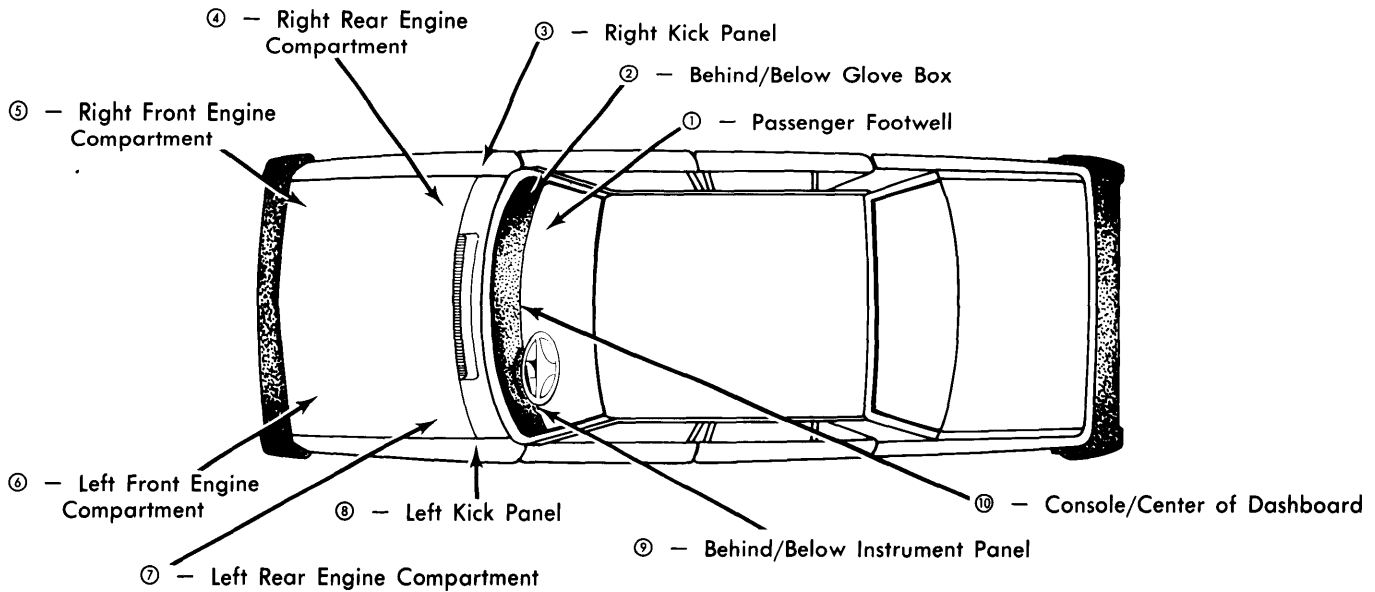


# Fuse Block & Flasher Locations



Make & Model	Fuse Block	Turn/Hazard Flashers	Make & Model	Fuse Block	Turn/Hazard Flashers
<b>AUDI</b>			<b>MG</b>		
Fox .....	9	9	MGB .....	4	2
5000 .....	7	9	Midget .....	4	2, 10
<b>BMW</b> .....	6	9	<b>OPEL</b> .....	3	9
<b>CHRYSLER CORP. IMPORTS</b>			<b>PEUGEOT</b>		
All (Exc. Champ & Colt Hatchback) .....	8	9	504 .....	9	
Champ & Colt Hatchback .....	9	9	604 .....	9	
<b>COURIER</b> .....	7	9	<b>PORSCHE</b>		
<b>DATSUN</b>			911, Turbo .....	7	7
200SX .....	9	10	928 .....	1	1
210 & 310 .....	8	9	924 .....	9	9
280ZX & 810 .....	3	9	<b>RENAULT</b> .....	9	9
510 & Pickup .....	9	9	<b>SAAB</b>		
<b>FIAT</b>			99 .....	4	9
128 & Spider 2000 .....	9		900 .....	7	9
Brava & X1/9 .....	2		<b>SUBARU</b> .....	9	
Strada .....	9	9	<b>TOYOTA</b>		
<b>FIESTA</b> .....	9	9	Celica & Supra .....	9, 3, 5, 6, 8	9
<b>HONDA</b>			Corolla .....	9, 2	10
Civic, Civic CVCC .....	3	9	Corona .....	9, 3	8
Accord, Prelude .....	9	9	Cressida .....	9, 3, 8	9
<b>JAGUAR</b>			Pickup .....	9	
XJ6, XJ12 .....	9, 3, 6	9	Land Cruiser .....	9, 3	
XJS .....	9	9	<b>TRIUMPH</b>		
<b>LUV</b> .....	7	9	Spitfire .....	7	9
<b>MAZDA</b>			TR7 .....	2	9, 2
626 .....	9	8	<b>VOLKSWAGEN</b>		
GLC .....	9	9	Type 1 .....	10	
Pickup .....	7		Type 2 .....	9	
RX-7 .....	9		Rabbit & Scirocco .....	9	9
<b>MERCEDES-BENZ</b>			Dasher .....	9	9
All (Exc. 450 Series) .....	7		<b>VOLVO</b> .....	8	10
450 Series .....	3				