

COLT (Cont.)

Station wagon fuse block is located on the wall cover to the left of the drivers seat and contains 10 fuses. Hardtop models have the fuse block mounted vertically, station wagons mounted horizontally. Circuits protected are as follows:

- ⑧ - 10 Amp. Turn Signals, Gauges
- ⑨ - 10 Amp. Back Up Lights
- ⑩ - 10 Amp. Voltage Regulator, Fuel Cut

- ① - 15 Amp. Stop Lights, Dome Light
- ② - 15 Amp. Hazard Light
- ③ - 15 Amp. Heater, Horn, Air Conditioning
- ④ - 15 Amp. Windshield Wipers, Washers
- ⑤ - 15 Amp. Radio, Cigar Lighter
- ⑥ - 15 Amp. Tail Lights
- ⑦ - 15 Amp. Rear Window Defogger

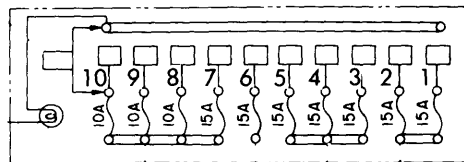


Fig. 3 Colt Station Wagon Fuse Box

COURIER

FUSE BLOCK

Fuse block is located on left side of engine compartment near windshield. Block contains 9 fuses and 2 spares. Circuits protected are, from front to rear:

- ① - 15 Amp. Horn, Stop Lights, Hazard Warning Flasher, Interior Light, Cigar Lighter.
- ② - 15 Amp. Hood & Glove Box Light, Electric Rear Window Defroster.

- ③ - 15 Amp. Headlights (High Beam).
- ④ - 15 Amp. Headlights (Low Beam).
- ⑤ - 10 Amp. Tail, License, Front Parking, Front Side Marker, Instrument Lights.
- ⑥ - 10 Amp. Windshield Wipers/Washers.
- ⑦ - 15 Amp. Heater/Defroster Blower Motor, Radio.
- ⑧ - 10 Amp. Front & Rear Turn Signal Lights, Fasten Seat Belt, Oil Pressure & Brake Warning Lights, Fuel Gauge, Temperature Gauge, Back-Up Lights.
- ⑨ - 15 Amp. Engine.

DATSUN

FUSE BLOCK

200 SX - Fuse block is located under instrument panel, left of steering column and contains 8 fuses. Circuits protected are as follows:

- ① - 10 Amp. Gauges, Flasher, Back-Up Lights.
- ② - 15 Amp. Windshield Wiper/Washer, Heater.
- ③ - 15 Amp. Stop Light, Hazard Warning Lights, Horn.
- ④ - 15 Amp. Cigar Lighter, Clock, Dome Light.
- ⑤ - 15 Amp. Seat Belt Warning.
- ⑥ - 10 Amp. Headlights.
- ⑦ - 10 Amp. Tail, Parking & Interior Lights.
- ⑧ - 20 Amp. Radio, Rear Window Defogger.

B210 - Fuse block is located under instrument panel to left of steering column and contains 8 fuses. Circuits protected are as follows:

- 1 - 10 Amp. Kickdown Switch, Neutral Safety Switch, Turn Signals, Back-Up Lights, Gauges, Warning Lights, Tachometer.
- 2 - 15 Amp. Windshield Wiper/Washer, Heater.
- 3 - 15 Amp. Hazard Warning System, Stop Lights, Horn.
- 4 - 15 Amp. Interior Light, Theft Protection System, Cigarette Lighter.
- 5 - 10 Amp. EGR and Catalyst Warning System.
- 6 - 15 Amp. Headlights.
- 7 - 10 Amp. Parking, Tail, Side Marker and Instrument Lights.
- 8 - 20 Amp. Rear Window Defogger, Radio.

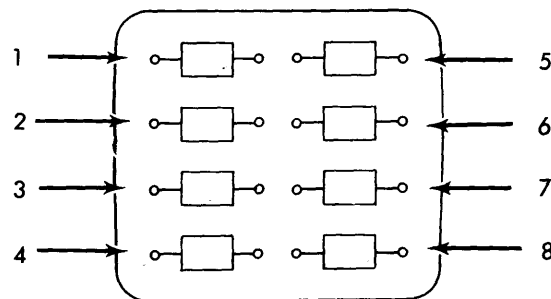


Fig. 4 Datsun B210 Fuse Block

510 - Fuse block is located under the instrument panel and contains 8 fuses. Circuits protected are as follows:

- ① - 15 Amp. Horn, Cigar Lighter
- ② - 15 Amp. Interior & Stop Lights
- ③ - 15 Amp. Tail Lights
- ④ - 15 Amp. Heater, Radio
- ⑤ - 10 Amp. Windshield Wipers & Washer
- ⑥ - 10 Amp. Engine Control
- ⑦ - 10 Amp. Emergency Flasher, Meters
- ⑧ - 20 Amp. Rear Window Defogger

810 - Fuse block is located under the instrument panel on the right kick panel and contains 11 fuses. Circuits protected are as follows:

- ① - 20 Amp. Rear Window Defogger.
- ② - 10 Amp. Flasher.

DATSUN (Cont.)

- ③ - 5 Amp. Solenoid
- ④ - 20 Amp. Air Conditioning
- ⑤ - 10 Amp. Windshield Wiper/Washer
- ⑥ - 10 Amp. Headlights (Left).
- ⑦ - 10 Amp. Side Marker & Tail Lights
- ⑧ - 10 Amp. Dome Light.
- ⑨ - 10 Amp. Common
- ⑩ - 20 Amp. Stop Lights, Horn.
- ⑪ - 10 Amp. Headlights (Right).

280Z - Fuse block is located on right side kick panel and contains 14 fuses. Circuits protected are as follows:

- ① - 10 Amp. Right Headlight.
- ② - 10 Amp. Left Headlight.
- ③ - 10 Amp. Flashers.
- ④ - 10 Amp. Gauges.
- ⑤ - 20 Amp. Air Conditioner.
- ⑥ - 15 Amp. Windshield Wiper/Washer.
- ⑦ - 10 Amp. Radio.
- ⑧ - 15 Amp. Parking & Tail Lights.
- ⑨ - 10 Amp. Interior Lights.
- ⑩ - 10 Amp. Cigar Lighter, Clock, Map Light.
- ⑪ - 15 Amp. Horn, Stop Lights.
- ⑫ - 10 Amp. Hazard Warning Lights.
- ⑬ - 20 Amp. Rear Window Defogger.
- ⑭ - 1 Amp. Catalyst Warning Light.

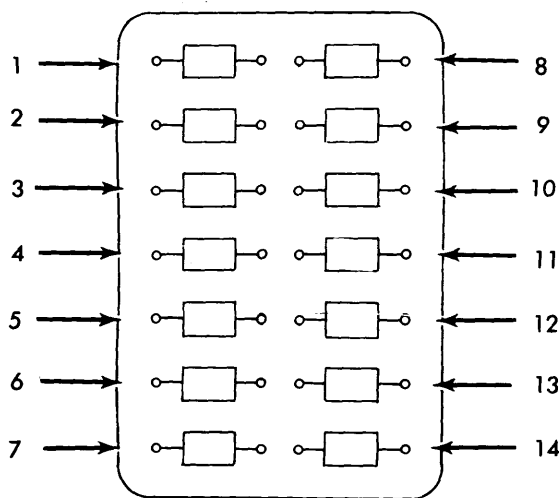


Fig. 5 Datsun 280Z Fuse Block

F10 - Fuse block is located under instrument panel to left of steering column and contains eight fuses. Circuits protected are as follows:

- ① - 15 Amp. Headlights.
- ② - 10 Amp. Tail Lights.
- ③ - 15 Amp. Horn, Stop Lights, Hazard Warning Lights.
- ④ - 15 Amp. Fan Motor.
- ⑤ - 20 Amp. Rear Window Defogger, Cig. Lighter, Clock.
- ⑥ - 15 Amp. Windshield Wiper/Washer, Heater, Radio.
- ⑦ - 10 Amp. Cooling Fan, Gauges, Turn Signals.
- ⑧ - 10 Amp. Auto. Choke, EGR Solenoid, Throttle Opener.

Pickup - Fuse block is located under instrument panel to the left of steering column and contains six fuses. Circuits protected are as follows:

- 1 - 10 Amp. Heater, Emission Control.
- 2 - 15 Amp. Windshield Wiper/Washer, Heater Blower.
- 3 - 10 Amp. Back-Up, Warning and Turn Signal Lights, Gauges, Kickdown Switch, Voltage Regulator.
- 4 - 10 Amp. Side Marker, Tail, License, Engine Compartment, Instrument and Control Illumination Lights.
- 5 - 15 Amp. Headlights.
- 6 - 15 Amp. Hazard Warning System, Horn, Stop Lights.

Pickup - In addition, pickup models have fusible links protecting the interior lights, cigarette lighter and clock.

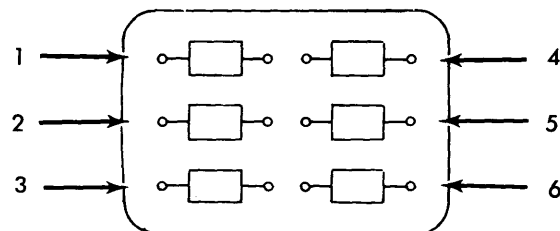


Fig. 6 Datsun Pickup Fuse Block

FUSIBLE LINK

All Models - Fusible link is located in wire between battery and alternator near the battery. Its purpose is to protect the alternator and related circuits.

FIAT

FUSE BLOCK

124 Sport Spider - Fuse block is located under instrument panel to left of steering column. Block contains 10 fuses. Circuits protected by the fuses are as follows:

- ① - 8 Amp. Turn Signals, Stop Lights, Gauges, Back Up Lights Tachometer
- ② - 8 Amp. Windshield Wipers & Washer, Heater Fan
- ③ - 8 Amp. Left High Beam Headlights, High Beam Indicator

- ④ - 8 Amp. Right High Beam Headlight
- ⑤ - 8 Amp. Right Low Beam Headlight
- ⑥ - 8 Amp. Left Low Beam Headlight
- ⑦ - 8 Amp. Front Left Parking Light, Tail, License & Instrument Lights
- ⑧ - 8 Amp. Front Right Parking Light
- ⑨ - 16 Amp. Horn, Engine Fan
- ⑩ - 25 Amp. Buzzers, Cigar Lighter, Clock, Hazard, Aerial

128 (Except 3P Coupe) - Fuse block is located under instrument panel to left of steering column and contains eight fuses.