

ARROW

FUSE BLOCK

Fuse block is located on the wall cover to the left of the drivers seat and contains 14 fuses and three spare fuses. Circuits protected are as follows:

- ① - 10 Amp. Right High Beam.
- ② - 10 Amp. Left High Beam.
- ③ - 10 Amp. Taillights.
- ④ - 5 Amp. Parking Lights
- ⑤ - 15 Amp. Rear Window Defogger.
- ⑥ - 10 Amp. Back-Up Lights.
- ⑦ - 10 Amp. Turn Signals, Volt. Regulator.
- ⑧ - 10 Amp. Right Low Beam.
- ⑨ - 10 Amp. Left Low Beam.
- ⑩ - 15 Amp. Cig. Lighter, Radio, Horn.
- ⑪ - 10 Amp. Windshield Wiper/Washer.
- ⑫ - 15 Amp. Heater.
- ⑬ - 15 Amp. Hazard Warning Flashers.
- ⑭ - 5 Amp. Dome Light.

FUSIBLE LINK

All Models - Fusible link is located in wire between battery and alternator near battery terminal. Purpose of fusible link is to protect the power and charging circuits from excessive current.

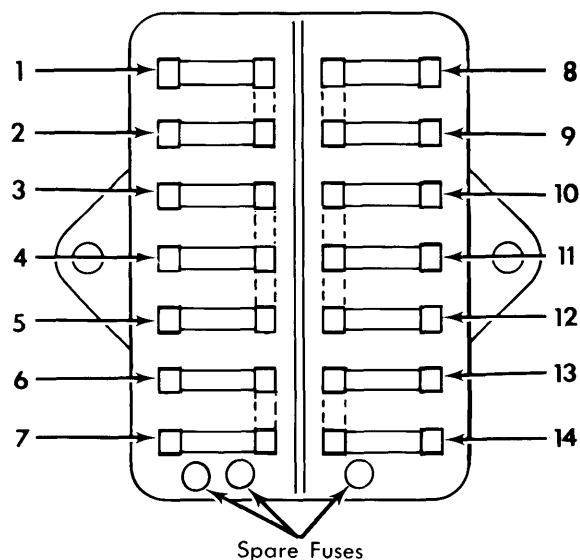


Fig. 1 Arrow Hatchback Fuse Block (Colt the Same)

AUDI

FUSE BLOCK

Fox - Fuse block is located on left behind dashboard bin attached to the steering column. It contains 15 fuses arranged horizontally. Circuits protected by the fuses are, from left to right:

- ① - 8 Amp. Low Beam Left.
- ② - 8 Amp. Low Beam Right.
- ③ - 8 Amp. High Beam Left, High Beam Warning Light.
- ④ - 8 Amp. High Beam Right.
- ⑤ - 16 Amp. Rear Window Defogger.
- ⑥ - 8 Amp. Stop Lights, Hazard Flasher.
- ⑦ - 8 Amp. Cig. Lighter, Radio, Clock, Interior Light.
- ⑧ - 8 Amp. Fuel & Temperature Gauge, Warning Lights, Turn Signals, Wiper/Washer (Automatic).
- ⑨ - 8 Amp. Back-Up Lights, Shift Console Light.
- ⑩ - 16 Amp. Fresh Air Fan, Rear Window Defogger, Voltmeter.
- ⑪ - 8 Amp. Horn, Windshield Wiper/Washer.
- ⑫ - 8 Amp. License Plate Light.
- ⑬ - 8 Amp. Tail, Parking & Side Marker Lights (Right).

- ⑭ - 8 Amp. Tail, Parking & Side Marker Lights (Left)
- ⑮ - 16 Amp. Radiator Fan.

5000 Models - Fuse block is located in passenger compartment under dashboard. Fuse block contains 17 fuses. Circuits protected are, from right to left:

- ① - 8 Amp. Turn Signals
- ② - 25 Amp. Rear Window Defogger
- ③ - 16 Amp. Back Up Lights, Windshield Wiper Motor
- ④ - 8 Amp. Low Beam Headlight, Left
- ⑤ - 8 Amp. Low Beam Headlight, Right
- ⑥ - 16 Amp. Cigar Lighter, Clock, Radio
- ⑦ - 16 Amp. Brake Lights
- ⑧ - 25 Amp. Radiator Fan
- ⑨ - 16 Amp. Horn, Instrument Cluster Lights
- ⑩ - 8 Amp. Glove Box Light, License Plate Light
- ⑪ - 8 Amp. Left Parking and Side Marker Lights
- ⑫ - 8 Amp. Right Parking and Side Marker Lights
- ⑬ - 16 Amp. Fuel Pump
- ⑭ - 8 Amp. High Beam Headlight, Right
- ⑮ - 8 Amp. High Beam Headlight, Left
- ⑯ - 8 Amp. Fog Lights
- ⑰ - 25 Amp. Heater, Air Conditioning

BMW

FUSE BLOCK

All Models - Fuse block is located in engine compartment above wheel arch on left side. Circuits protected are listed on fuse block cover.

320i - Fuse block contains 18 fuses, arranged in 5 rows of 3 fuses each. Starting at top left and going down, fuses are as follows:

- ① - 8 Amp. Right Fog Light
- ② - 8 Amp. Left Fog Light
- ③ - 16 Amp. Fuel Pump
- ④ - 8 Amp. Low Beam Headlight, Right
- ⑤ - 8 Amp. Low Beam Headlight, Left
- ⑥ - 8 Amp. Right Parking, Tail, Side Marker Lights, License Light
- ⑦ - 16 Amp. High Beam Headlight
- ⑧ - 16 Amp. High Beam Headlight

BMW (Cont.)

- ⑨ - 8 Amp. Left Parking, Tail, Side Marker Lights
- ⑩ - 25 Amp. Heated Rear Window
- ⑪ - 25 Amp. Heater Blower, Auxiliary Fan Control, Air Conditioning Blower
- ⑫ - 8 Amp. Brakes, Horn, Radio
- ⑬ - 25 Amp. Auxiliary Fan Motor
- ⑭ - 16 Amp. Back Up, Brake Warning Lights, Fuel Gauge, Tachometer, Vacuum Advance
- ⑮ - 16 Amp. Windshield Wiper and Washer
- ⑯ - 16 Amp. Cigar Lighter
- ⑰ - 8 Amp. Turn Signal, Hazard Light, Dome Light, Glove Box Light, Clock, Warning Buzzer
- ⑱ - Spare

633CSi, 733i - Fuse block contains 17 fuses, arranged in 3 rows.

- ① - 16 Amp. Fuel Delivery
- ② - 8 Amp. Low Beam Headlight, Right

- ③ - 8 Amp. Low Beam Headlight, Left
- ④ - 16 Amp. Cigar Lighter
- ⑤ - 8 Amp. Clock, Instrument Lights, Turn Signals, Hazard Lights, Seat Belt Warning, Central Locking System
- ⑥ - 8 Amp. Back Up, Engine Instruments, Warning Light, Buzzer
- ⑦ - 8 Amp. High Beam Headlight, Right
- ⑧ - 8 Amp. High Beam Headlight, Left
- ⑨ - 8 Amp. Parking, Side Marker, License Lights, Right Side
- ⑩ - 8 Amp. Left Parking Light
- ⑪ - 16 Amp. Power Mirror, Horn, Windshield Washer/Wipers
- ⑫ - 8 Amp. Brake Light, Glove Box Light, Radio, Safety Check
- ⑬ - 16 Amp. Rear Window Heater, Sunroof
- ⑭ - 25 Amp. Auxiliary Fan Relay, Heating, Air Conditioning
- ⑮ - 8 Amp. Right Fog Light
- ⑯ - 8 Amp. Left Fog Light
- ⑰ - 25 Amp. (2) Auxiliary Fan Motor

CAPRI

Fuse block is located on left hand side of engine compartment and contains 7 fuses. Circuits protected by the fuses are, from left to right:

- 1 - 8 Amp. Cigarette Lighter, Clock, Interior Light, Hazard Flasher.
- 2 - 8 Amp. License Plate Light, Instrument Lights, Map Light.
- 3 - 8 Amp. Right Tail, Parking and Side Marker Lights.
- 4 - 8 Amp. Left Tail, Parking and Side Marker Lights.

- 5 - 8 Amp. Horn, Heater Blower.
- 6 - 16 Amp. Front and Rear Wiper Motors, Back-Up Light, Instrument Lights.
- 7 - 8 Amp. Turn Signals, Stop Lights.

NOTE - Four additional 16 Amp. fuses are located on the bottom of the headlight relay to protect headlight circuits. Relay is located near fuse block. One additional 16 Amp. fuse is located inside the plastic cover of the heated backlight relay. Relay is located under dash below ash tray.

CHALLENGER & SAPPORO**FUSE BLOCK**

Fuse block is located beneath the instrument panel on the drivers side, and contains 10 fuses. Circuits protected are, from front to back:

- ① - 10 Amp. Voltage Regulator
- ② - 10 Amp. Back up Lights

- ③ - 10 Amp. Turn Signals, Gauges, Belt Warning Lights
- ④ - 15 Amp. Radio, Cigar Lighter
- ⑤ - 15 Amp. Windshield Wipers and Washer
- ⑥ - 15 Amp. Heater, Horn
- ⑦ - 15 Amp. Tail Lights, Dash Lights
- ⑧ - 20 Amp. Rear Window Defogger
- ⑨ - 15 Amp. Door & Hazard Warning Lights
- ⑩ - 15 Amp. Dome & Stop Lights

COLT**FUSE BLOCK**

Hardtop fuse block is located on the wall cover to the left of the drivers seat and contains 10 fuses and three spare fuses. Circuits protected are as follows:

- ① - 15 Amp. Cigar Lighter, Radio, Horn.
- ② - 15 Amp. Windshield Wiper/Washer.
- ③ - 10 Amp. Headlights (Upper).
- ④ - 10 Amp. Headlights (Lower).
- ⑤ - 5 Amp. Dome & Instrument Lights.
- ⑥ - 15 Amp. Stop & Hazard Lights.
- ⑦ - 15 Amp. Rear Window Defogger.
- ⑧ - 15 Amp. Heater.
- ⑨ - 15 Amp. Turn Signals, Back-Up Lights, Voltage Regulator
- ⑩ - 15 Amp. Tail & Parking Lights.

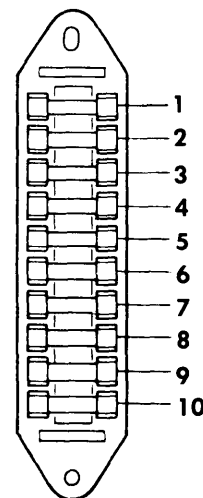


Fig. 2 Colt Hardtop Fuse Block