

MITSUBISHI REGULATORS

Arrow/Colt, Challenger/Sapporo
(2000 cc & 2600 cc Models)
Courier
Mazda

DESCRIPTION

Regulator consists of two elements: constant-voltage relay and pilot lamp relay. Both relays consist of an electromagnet, contacts, frame, moving element and coil side plate. This regulator has a temperature compensation gradient as an improvement over the constant voltage charging system. It has functions for automatically compensating the adjusted value of the constant-voltage relay so that the adjusted value will be lower in summer and higher in winter.

APPLICATION

Model	Part No.
Arrow/Colt, Challenger/Sapporo	RQB-2D
Courier	D27Z-10316-A
Mazda	0453 18 391

TESTING

CAUTION — Ensure that voltage regulator protecting fuse is functional before conducting any charging system diagnosis. Verify condition by substituting known good fuse.

To check adjusted value of constant voltage relay, connect a voltmeter between terminal "A" and "E" of the regulator. Place generator at no load by disconnecting one of the battery terminals during operation at idling speed, then increase alternator speed to approximately 4000 RPM (Approximately 2000 engine RPM). In this condition, satisfactory voltage is 14.5-15.8 volts.

ADJUSTMENT

NOTE — Adjustment procedures furnished for Mazda only. Manufacturers recommend installation of new regulator when tolerance not within limits for other models.

Adjust voltage of the constant voltage relay by bending end of coil side plate up or down as shown in illustration. If plate is bent up, the adjusted value becomes higher. If it is bent down, value becomes lower. Adjust pilot lamp relay by same method.

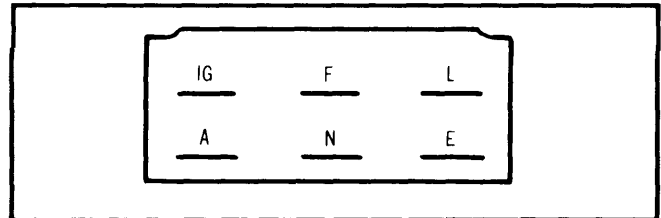


Fig. 1 Regulator Harness Connector

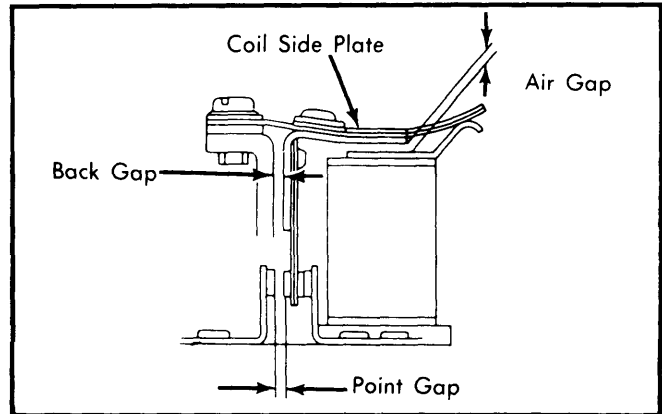


Fig. 2 Voltage Adjustment Point

MITSUBISHI ALTERNATOR REGULATOR SPECIFICATIONS

Reg. No.	VOLTAGE REGULATOR				PILOT LAMP RELAY		
	Output Volts	Air Gap in. (mm)	Back Gap in. (mm)	Point Gap in. (mm)	Air Gap in. (mm)	Back Gap in. (mm)	Point Gap in. (mm)
045318391	14-15	.028-.051 (.71-1.3)	.028-.059 (.71-1.5)	.012-.018 (.31-.45)	.039-.059 (1.0-1.5)	.028-.059 (.71-1.5)	.020-.035 (.71-1.1)