

DATSUN (Cont.)

- ⑦ — 10 Amp. Radio.
- ⑧ — 15 Amp. Parking & Tail Lights.
- ⑨ — 10 Amp. Interior Lights.
- ⑩ — 10 Amp. Cigar Lighter, Clock, Map Light.
- ⑪ — 15 Amp. Horn, Stop Lights.
- ⑫ — 10 Amp. Hazard Warning Lights.
- ⑬ — 20 Amp. Rear Window Defogger.
- ⑭ — 1 Amp. Catalyst Warning Light.

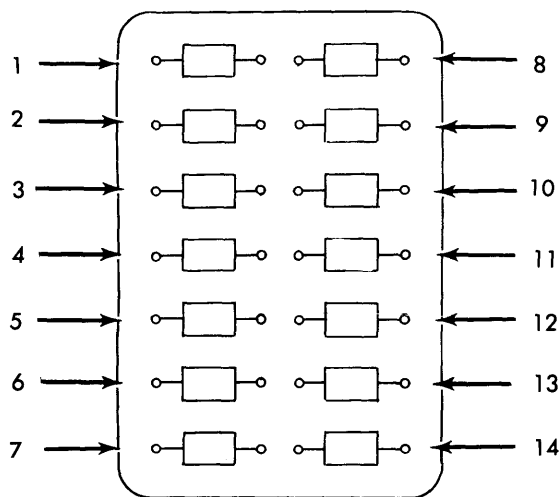


Fig. 5 Datsun 280Z Fuse Block

F10 — Fuse block is located under instrument panel to left of steering column and contains eight fuses. Circuits protected are as follows:

- ① — 15 Amp. Headlights.
- ② — 10 Amp. Taillights.
- ③ — 15 Amp. Horn, Stop Lights, Hazard Warning Lights.
- ④ — 15 Amp. Fan Motor.

- ⑤ — 20 Amp. Rear Window Defogger, Cig. Lighter, Clock.
- ⑥ — 15 Amp. Windshield Wiper/Washer, Heater, Radio.
- ⑦ — 10 Amp. Cooling Fan, Gauges, Turn Signals.
- ⑧ — 10 Amp. Auto. Choke, EGR Solenoid, Throttle Opener.

Pickup — Fuse block is located under instrument panel to the left of steering column and contains six fuses. Circuits protected are as follows:

- 1 — 10 Amp. Heater, Emission Control.
- 2 — 15 Amp. Windshield Wiper/Washer, Heater Blower.
- 3 — 10 Amp. Back-Up, Warning and Turn Signal Lights, Gauges, Kickdown Switch, Voltage Regulator.
- 4 — 10 Amp. Side Marker, Tail, License, Engine Compartment, Instrument and Control Illumination Lights.
- 5 — 15 Amp. Headlights.
- 6 — 15 Amp. Hazard Warning System, Horn, Stop Lights.

Pickup — In addition, pickup models have fusible links protecting the interior lights, cigarette lighter and clock.

FUSIBLE LINK

All Models — Fusible link is located in wire between battery and alternator near the battery. Its purpose is to protect the alternator and related circuits.

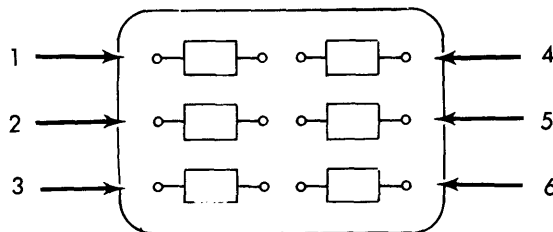


Fig. 6 Datsun Pickup Fuse Block

FIAT

FUSE BLOCK

124 Sport Spider — Fuse block is located under instrument panel to left of steering column. Block contains 10 fuses. Circuits protected by the fuses are as follows:

- 1 — 25 Amp. Electropneumatic Horns, Engine Fan Motor.
- 2 — 8 Amp. Windshield Wiper/Washer, Heater Fan Motor.
- 3 — 8 Amp. Left Headlight High Beam, High Beam Indicator.
- 4 — 8 Amp. Right Headlight High Beam.
- 5 — 8 Amp. Right Headlight Low Beam.
- 6 — 8 Amp. Left Headlight Low Beam.
- 7 — 8 Amp. Left Front Parking Light, Parking Light and Tail Light Indicator, Right Rear Tail Light, Left Front and Right Rear Side Marker Lights, Left License Plate Light, Cigar Lighter Illumination, Instrument Cluster Lights, Hazard Warning Signal Switch Light, Control Knob Illumination.

- 8 — 8 Amp. Right Front Parking Light, Left Rear Tail Light, Right Front and Left Rear Side Marker Lights, Right License Light.
- 9 — 8 Amp. Turn Signal and Stop Lights, Gauges, Warning Lights, Seat Belt Buzzer Relay, Emission Control System.
- 10 — 8 Amp. Voltage Regulator, Alternator Field Winding.

NOTE — One 8 Amp. fuse and one 16 Amp. fuse are in separate holders near the fuse block. The 8 Amp. fuse protects Fuel Pump and Relay. The 16 Amp. fuse protects Cigar Lighter, Clock, Courtesy Light, Hazard Warning Light and Remove Key and Fasten Seat Belt Buzzer.

128 (Except 3P Coupe) — Fuse block is located under instrument panel to left of steering column and contains eight fuses. Two additional fuses, in separate holders, protect Fuel Pump and Relay (8 Amp.) and Rear Window Defogger (16 Amp.). Fuses in block protect the following circuits:

FIAT (Cont.)

- 1 - 8 Amp. Gauges, Warning Lights, Turn Signals, Stop Lights, Back-Up Lights, Heater, Windshield Wiper, Seat Belt Buzzer Relay, Emission Control System
- 2 - 16 Amp. Interior Lights, Horns, Engine Fan Motor, Hazard Warning Flasher, Remove Key & Seat Belt Buzzer.
- 3 - 8 Amp. Left Headlight High Beam and High Beam Indicator.
- 4 - 8 Amp. Right Headlight High Beam.
- 5 - 8 Amp. Left Headlight Low Beam.
- 6 - 8 Amp. Right Headlight Low Beam.
- 7 - 8 Amp. Left Front Parking and Side Marker Lights, Parking and Tail Lights, Right Tail and Side Marker Lights, and Left License Plate Light.
- 8 - 8 Amp. Right Parking and Side Marker Lights, Left Rear Tail and Side Marker Lights, Right Side License Plate Light, Instrument Cluster Lights, Hazard Warning Flashers, Instrument Control Knob Illumination.
- 2 - 8 Amp. Headlight Motors, Carburetor Fan Relay, Courtesy Light, Key/Seat Belt Buzzer.
- 3 - 8 Amp. Left Headlight High Beam and High Beam Indicator.
- 4 - 8 Amp. Right Headlight High Beam.
- 5 - 8 Amp. Left Headlight Low Beam.
- 6 - 8 Amp. Right Headlight Low Beam.
- 7 - 8 Amp. Left Front Parking and Side Marker Lights, Parking and Tail Lights Indicator, Right Rear Tail and Side Marker Lights, Left License Light, Control and Instrument Illumination Lights.
- 8 - 8 Amp. Right Front Parking and Side Marker Lights, Left Rear Tail and Side Marker Lights, Right License Plate Light.
- 9 - 16 Amp. Hazard Warning Flashers and Indicator, Cigarette Lighter, Rear Window Defogger.
- 10 - 16 Amp. Engine Fan, Horn and Relay.
- 11 - 3 Amp. Headlight Concealing Relay.
- 12 - 3 Amp. Headlight Raising Relay.

128 3P Coupe - Fuse block is located under instrument panel to left of steering column and contains 10 fuses. One additional fuse in separate holder, protects Fuel Pump and Relay (8 Amp). Fuses in block protect the following circuits:

- 1 - 8 Amp. Stop and Back-Up Lights, Windshield Wiper/Washer, Diverter Valve Relay.
- 2 - 8 Amp. Gauges, Indicator Lights, Turn Signals, Heater Blower, Key and Seat Belt Buzzer Relay, Diverter Solenoid Valve.
- 3 - 8 Amp. Left Headlight High Beam and High Beam Indicator.
- 4 - 8 Amp. Right Headlight High Beam.
- 5 - 8 Amp. Left Headlight Low Beam.
- 6 - 8 Amp. Right Headlight Low Beam.
- 7 - 8 Amp. Left Front Parking and Side Marker Lights, Parking and Tail Lights Indicator, Right Rear Tail and Side Marker Lights, Left License Plate Light.
- 8 - 8 Amp. Right Front Parking and Side Marker Lights, Left Rear Tail and Side Marker Lights, Right License Plate Light, Instrument Lights, Heater Control Illumination Light, Hazard Warning Flashers.
- 9 - 16 Amp. Horn Relay, Engine Fan Motor, Courtesy Light.
- 10 - 16 Amp. Cigar Lighter, Remove Key/Fasten Seat Belts Buzzer.

X1/9 - Fuse block is located under instrument panel to left of steering column. Fuse block contains 12 fuses. Fuses in block protect the following circuits:

- 1 - 8 Amp. Gauges, Indicator Lights, Turn Signals, Stop Lights, Back-Up Lights, Heater Blower, Windshield Wiper/Washer, Seat Belt & Key Buzzer System.

131 - Fuse block is located under glove compartment and contains one row of 12 fuses and another row of two fuses. Fuses in block protect the following circuits:

- ① - 8 Amp. Stop & Back-Up Lights, Warning Indicators, Gauges, Heater Fan Motor, Electronic Tachometer; Rear Window, Air Conditioner, Starter Inhibitor Switch & Fasten Seat Belt Relays.
- ② - 10 Amp. Windshield Wiper/Washer
- ③ - 10 Amp. Left Tail & Right Front Parking Lights, Right Front & Left Side Marker Lights.
- ④ - 8 Amp. Left Front Parking & Right Tail Lights, Left Front & Right Side Marker Lights, License Plate Lights, Instrument Lights.
- ⑤ - 8 Amp. Left Outboard Headlight (Low Beam).
- ⑥ - 8 Amp. Right Outboard Headlight (Low Beam).
- ⑦ - 16 Amp. Inboard Headlights (High Beam)
- ⑧ - 16 Amp. Outboard Headlights (High Beam), High Beam Indicator.
- ⑨ - Horn, Horn Relay Winding, Engine Fan Motor.
- ⑩ - 16 Amp. Clock, Courtesy Lights, Cigar Lighter, Radio Antenna Motor (When Installed).
- ⑪ - 16 Amp. Rear Window Defogger, Hazard Warning System.
- ⑫ - 16 Amp. Air Conditioner Compressor & Evaporator Fan & Condenser Motor.
- ⑬ - 16 Amp. Remove Key Buzzer
- ⑭ - Spare Fuse.

HONDA

FUSE BLOCK

Civic & Civic CVCC - Fuse block is located on right side kick panel. Block contains eight fuses. Circuits protected are, from top to bottom:

- ① - 10 Amp. Voltage Regulator.

- ② - 10 Amp. Windshield Wiper/Washer.
- ③ - 10 Amp. Turn Signals, Back-Up Lights, Fuel Gauge.
- ④ - 15 Amp. Heater, Radio, Rear Window Defogger.
- ⑤ - 15 Amp. Hazard Warning Light, Horn, Stop Lights.
- ⑥ - 10 Amp. Cig. Lighter, Clock, Interior Lights.
- ⑦ - 15 Amp. Taillights, License Light, Instrument Lights.
- ⑧ - 15 Amp. Headlights.