

Fuses & Circuit Breakers

BMW (Cont.)

- ⑪ — 16 Amp. Windshield Wiper/Washer, Stop Lights.
- ⑫ — 8 Amp. Turn Indicators, Back-Up Lights, Horn Relay, Radio
- ⑬ — 16 Amp. Heated Rear Window, Electric Sliding Roof, Electric Window Lift, Right (Use 25 Amp. Fuse for Window Lift).
- ⑭ — 25 Amp. Heater Blower, Electric Window Lift, Left, Air Conditioning.
- ⑮ — 8 Amp. Fog Light, Right.
- ⑯ — 8 Amp. Fog Light, Left.
- ⑰ — 25 Amp. Electrical Auxiliary Fan (Automatic Model).

CAPRI II

FUSE BLOCK

Fuse block is located on left hand side of engine compartment and contains 7 fuses. Circuits protected by the fuses are, from left to right:

- 1 — 8 Amp. Cigarette Lighter, Clock, Interior Light, Hazard Flasher.
- 2 — 8 Amp. License Plate Light, Instrument Lights, Map Light.
- 3 — 8 Amp. Right Tail, Parking and Side Marker Lights.
- 4 — 8 Amp. Left Tail, Parking and Side Marker Lights.

- 5 — 8 Amp. Horn, Heater Blower.
- 6 — 16 Amp. Front and Rear Wiper Motors, Back-Up Light, Instrument Lights.
- 7 — 8 Amp. Turn Signals, Stop Lights.

NOTE — Four additional 16 Amp. fuses are located on the bottom of the headlight relay to protect headlight circuits. Relay is located near fuse block. One additional 16 Amp. fuse is located inside the plastic cover of the heated backlight relay. Relay is located under dash below ash tray.

COLT

FUSE BLOCK

Fuse block is located on the wall cover to the left of the drivers seat and contains 14 fuses and three spare fuses. Circuits protected are as follows:

- ① — 10 Amp. Right High Beam.
- ② — 10 Amp. Left High Beam.
- ③ — 10 Amp. Taillights.
- ④ — 5 Amp. Parking Lights
- ⑤ — 15 Amp. Rear Window Defogger.
- ⑥ — 10 Amp. Back-Up Lights.
- ⑦ — 10 Amp. Turn Signals, Volt. Regulator.
- ⑧ — 10 Amp. Right Low Beam.
- ⑨ — 10 Amp. Left Low Beam.
- ⑩ — 15 Amp. Cig. Lighter, Radio, Horn.
- ⑪ — 10 Amp. Windshield Wiper/Washer.
- ⑫ — 15 Amp. Heater.
- ⑬ — 15 Amp. Hazard Warning Flashers.
- ⑭ — 5 Amp. Dome Light.

FUSIBLE LINK

All Models — Fusible link is located in wire between battery and alternator near battery terminal. Purpose of fusible link is to protect the power and charging circuits from excessive current.

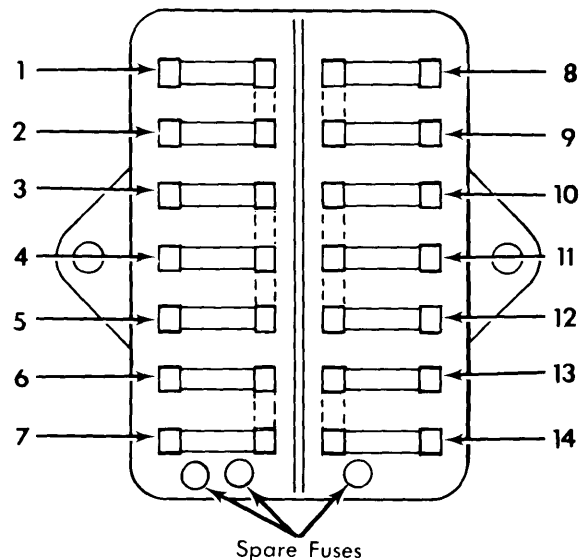


Fig. 2 Dodge Colt Hatchback Fuse Block (Arrow the Same)

COURIER

FUSE BLOCK

Fuse block is located on left side of engine compartment near the windshield. Block contains nine fuses. Circuits protected by the fuses are, front to rear:

- ① — 15 Amp. Horn, Stop Lights, Hazard Warning Flasher, Interior Light, Cigar Lighter.
- ② — 15 Amp. Hood & Glove Box Light, Electric Rear Window Defroster.
- ③ — 15 Amp. Headlights (High Beam).

COURIER (Cont.)

- ④ - 15 Amp. Headlights (Low Beam).
- ⑤ - 10 Amp. Tail, License, Front Parking, Front Side Marker, Instrument Lights.
- ⑥ - 10 Amp. Windshield Wipers/Washers.
- ⑦ - 15 Amp. Heater/Defroster Blower Motor, Radio.
- ⑧ - 10 Amp. Front & Rear Turn Signal Lights, Fasten Seat Belt, Oil Pressure & Brake Warning Lights, Fuel Gauge, Temperature Gauge, Back-Up Lights.
- ⑨ - 15 Amp. Engine.

DATSUN

FUSE BLOCK

200SX - Fuse block is located under instrument panel, left of steering column and contains eight fuses. Circuits protected are as follows:

- ① - 10 Amp. Gauges, Flasher, Back-Up Lights.
- ② - 15 Amp. Windshield Wiper/Washer, Heater.
- ③ - 15 Amp. Stop Light, Hazard Warning Lights, Horn.
- ④ - 15 Amp. Cigar Lighter, Clock, Dome Light.
- ⑤ - 15 Amp. Seat Belt Warning.
- ⑥ - 10 Amp. Headlights.
- ⑦ - 10 Amp. Tail, Parking & Interior Lights.
- ⑧ - 20 Amp. Radio, Rear Window Defogger.

B210 - Fuse block is located under instrument panel to left of steering column and contains 8 fuses. Circuits protected are as follows:

- 1 - 10 Amp. Kickdown Switch, Neutral Safety Switch, Turn Signals, Back-Up Lights, Gauges, Warning Lights, Tachometer.
- 2 - 15 Amp. Windshield Wiper/Washer, Heater.
- 3 - 15 Amp. Hazard Warning System, Stop Lights, Horn.
- 4 - 15 Amp. Interior Light, Theft Protection System, Cigarette Lighter.
- 5 - 10 Amp. EGR and Catalyst Warning System.
- 6 - 15 Amp. Headlights.
- 7 - 10 Amp. Parking, Tail, Side Marker and Instrument Lights.
- 8 - 20 Amp. Rear Window Defogger, Radio.

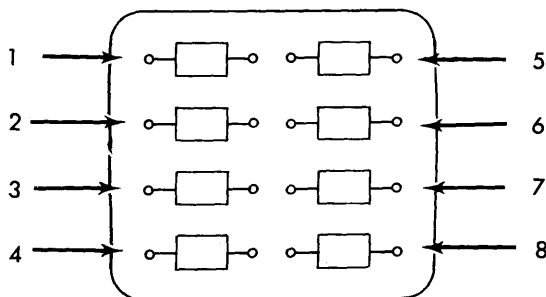


Fig. 3 Datsun B210 Fuse Block

710 - Fuse block is located under the instrument panel and contains 10 fuses. Circuits protected are as follows:

- 1 - 10 Amp. Turn Signals, Back-Up Lights.
- 2 - 5 Amp. Warning Lights, Gauges.
- 3 - 20 Amp. Heater, Radio.
- 4 - 10 Amp. Windshield Wiper/Washer.

- 5 - 10 Amp. Left Headlight.
- 6 - 20 Amp. Side Marker, Tail and License Lights, Instrument and Control Illumination Lights.
- 7 - 10 Amp. Hazard Warning System, Interior Lights, Theft Protection System.
- 8 - 10 Amp. Clock, Cigarette Lighter.
- 9 - 20 Amp. Stop Lights, Horn.
- 10 - 10 Amp. Right Headlight.

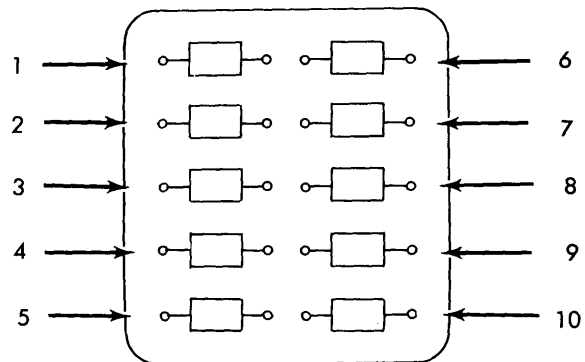


Fig. 4 Datsun 710 Fuse Block

810 - Fuse block is located under the instrument panel on the right kick panel and contains 11 fuses. Circuits protected are as follows:

- ① - 20 Amp. Rear Window Defogger.
- ② - 10 Amp. Flasher.
- ③ - 5 Amp. Solenoid
- ④ - 20 Amp. Air Conditioning
- ⑤ - 10 Amp. Windshield Wiper/Washer
- ⑥ - 10 Amp. Headlights (Left).
- ⑦ - 10 Amp. Side Marker & Tail Lights
- ⑧ - 10 Amp. Dome Light.
- ⑨ - 10 Amp. Common
- ⑩ - 20 Amp. Stop Lights, Horn.
- ⑪ - 10 Amp. Headlights (Right).

280Z - Fuse block is located on right side kick panel and contains 14 fuses. Circuits protected are as follows:

- ① - 10 Amp. Right Headlight.
- ② - 10 Amp. Left Headlight.
- ③ - 10 Amp. Flashers.
- ④ - 10 Amp. Gauges.
- ⑤ - 20 Amp. Air Conditioner.
- ⑥ - 15 Amp. Windshield Wiper/Washer.