

ARROW

FUSE BLOCK

Fuse block is located on the wall cover to the left of the drivers seat and contains 10 fuses and three spare fuses. Circuits protected are as follows:

- ① — 15 Amp. Cigar Lighter, Radio, Horn.
- ② — 15 Amp. Windshield Wiper/Washer.
- ③ — 10 Amp. Headlights (Upper).
- ④ — 10 Amp. Headlights (Lower).
- ⑤ — 5 Amp. Dome & Instrument Lights.
- ⑥ — 15 Amp. Stop & Hazard Lights.
- ⑦ — 15 Amp. Rear Window Defogger.
- ⑧ — 15 Amp. Heater.
- ⑨ — 15 Amp. Turn Signals, Back-Up Lights, Voltage Regulator
- ⑩ — 15 Amp. Tail & Parking Lights.

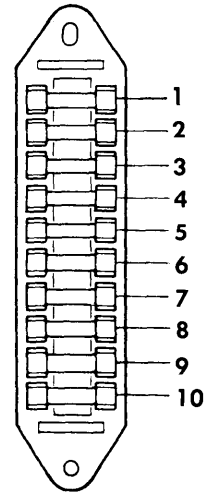


Fig. 1 Arrow Hardtop & Station Wagon Fuse Block (Colt Same)

AUDI

FUSE BLOCK

Fox — Fuse block is located on left behind dashboard bin attached to the steering column. It contains 15 fuses arranged horizontally. Circuits protected by the fuses are, from left to right:

- ① — 8 Amp. Low Beam Left.
- ② — 8 Amp. Low Beam Right.
- ③ — 8 Amp. High Beam Left, High Beam Warning Light.
- ④ — 8 Amp. High Beam Right.
- ⑤ — 16 Amp. Rear Window Defogger.
- ⑥ — 8 Amp. Stop Lights, Hazard Flasher.
- ⑦ — 8 Amp. Cig. Lighter, Radio, Clock, Interior Light.
- ⑧ — 8 Amp. Fuel & Temperature Gauge, Warning Lights, Turn Signals, Wiper/Washer (Automatic).
- ⑨ — 8 Amp. Back-Up Lights, Shift Console Light.
- ⑩ — 16 Amp. Fresh Air Fan, Rear Window Defogger, Voltmeter.
- ⑪ — 8 Amp. Horn, Windshield Wiper/Washer.
- ⑫ — 8 Amp. License Plate Light.
- ⑬ — 8 Amp. Tail, Parking & Side Marker Lights (Right).

- ⑭ — 8 Amp. Tail, Parking & Side Marker Lights (Left)
- ⑮ — 16 Amp. Radiator Fan.

100 Models — Fuse Block is mounted in front of passenger compartment next to clutch pedal. Block contains 10 fuses, mounted horizontally. Circuits protected by the fuses are, from left to right:

- ① — 8 Amp. Turn Signals and Emergency Flasher.
- ② — 16 Amp. Windshield Washer, Fan Motor, Horn, Gauges, Oil Pressure Warning Light and Back-Up Lights.
- ③ — 16 Amp. Windshield Wiper Motor, Cigarette Lighter, Clock and Stop, Instrument, License Plate, Glove Compartment and Interior Lights.
- ④ — 8 Amp. Right Hand Tail Light.
- ⑤ — 8 Amp. Left Hand High Beam.
- ⑥ — 8 Amp. Right Hand High Beam and High Beam Indicator.
- ⑦ — 8 Amp. Left Hand Low Beam.
- ⑧ — 8 Amp. Right Hand Low Beam.
- ⑨ — 8 Amp. Left Hand Tail Light.
- ⑩ — 8 Amp. Rear Window Defogger, Radiator Fan Motor, Clock.

BMW

FUSE BLOCK

320i Models — Fuse block is located in a damp-proof case in the engine compartment above the wheel arch on the left side. Circuits protected by the fuses are listed on the fuse block cover

530i & 630CSi — Fuse block is located in engine compartment near battery. Circuits protected are listed on fuse block cover.

- ① — 16 Amp. Headlight Main Beam, Main Beam Telltale Light.

- ② — 8 Amp. Headlight Low Beam (Right).
- ③ — 8 Amp. Headlight Low Beam (Left).
- ④ — 8Amp. Right Rear Parking & Side Lights, License Plate Light, Instrument Lighting, Fog Lamp Relay, Engine Compartment Lighting.
- ⑤ — 8 Amp. Left Rear Parking & Side Lights.
- ⑥ — 8Amp. Combined Relay L-Jetronic, Cold Start Valve, Electric Fuel Delivery Pump.
- ⑧ — Blank.
- ⑨ — 16 Amp. Cigar Lighter, Automatic Radio Antenna.
- ⑩ — 8 Amp. Hazard Warning Flashers, Clock, Glove Box Light, Interior Light, Luggage Compartment Light.

Fuses & Circuit Breakers

BMW (Cont.)

- ⑪ — 16 Amp. Windshield Wiper/Washer, Stop Lights.
- ⑫ — 8 Amp. Turn Indicators, Back-Up Lights, Horn Relay, Radio
- ⑬ — 16 Amp. Heated Rear Window, Electric Sliding Roof, Electric Window Lift, Right (Use 25 Amp. Fuse for Window Lift).
- ⑭ — 25 Amp. Heater Blower, Electric Window Lift, Left, Air Conditioning.
- ⑮ — 8 Amp. Fog Light, Right.
- ⑯ — 8 Amp. Fog Light, Left.
- ⑰ — 25 Amp. Electrical Auxiliary Fan (Automatic Model).

CAPRI II

FUSE BLOCK

Fuse block is located on left hand side of engine compartment and contains 7 fuses. Circuits protected by the fuses are, from left to right:

- 1 — 8 Amp. Cigarette Lighter, Clock, Interior Light, Hazard Flasher.
- 2 — 8 Amp. License Plate Light, Instrument Lights, Map Light.
- 3 — 8 Amp. Right Tail, Parking and Side Marker Lights.
- 4 — 8 Amp. Left Tail, Parking and Side Marker Lights.

- 5 — 8 Amp. Horn, Heater Blower.
- 6 — 16 Amp. Front and Rear Wiper Motors, Back-Up Light, Instrument Lights.
- 7 — 8 Amp. Turn Signals, Stop Lights.

NOTE — Four additional 16 Amp. fuses are located on the bottom of the headlight relay to protect headlight circuits. Relay is located near fuse block. One additional 16 Amp. fuse is located inside the plastic cover of the heated backlight relay. Relay is located under dash below ash tray.

COLT

FUSE BLOCK

Fuse block is located on the wall cover to the left of the drivers seat and contains 14 fuses and three spare fuses. Circuits protected are as follows:

- ① — 10 Amp. Right High Beam.
- ② — 10 Amp. Left High Beam.
- ③ — 10 Amp. Taillights.
- ④ — 5 Amp. Parking Lights
- ⑤ — 15 Amp. Rear Window Defogger.
- ⑥ — 10 Amp. Back-Up Lights.
- ⑦ — 10 Amp. Turn Signals, Volt. Regulator.
- ⑧ — 10 Amp. Right Low Beam.
- ⑨ — 10 Amp. Left Low Beam.
- ⑩ — 15 Amp. Cig. Lighter, Radio, Horn.
- ⑪ — 10 Amp. Windshield Wiper/Washer.
- ⑫ — 15 Amp. Heater.
- ⑬ — 15 Amp. Hazard Warning Flashers.
- ⑭ — 5 Amp. Dome Light.

FUSIBLE LINK

All Models — Fusible link is located in wire between battery and alternator near battery terminal. Purpose of fusible link is to protect the power and charging circuits from excessive current.

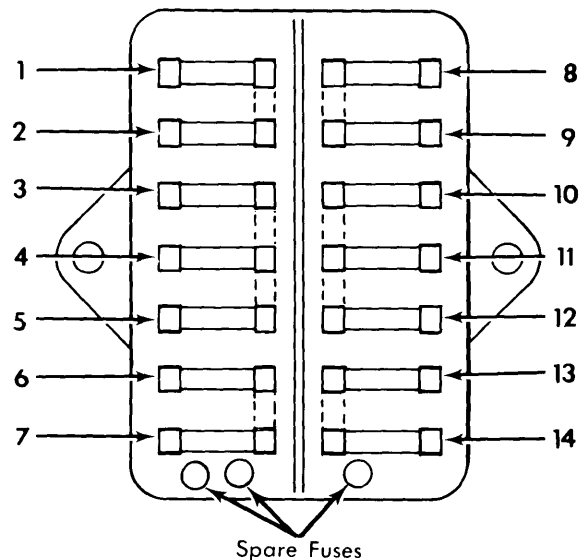


Fig. 2 Dodge Colt Hatchback Fuse Block (Arrow the Same)

COURIER

FUSE BLOCK

Fuse block is located on left side of engine compartment near the windshield. Block contains nine fuses. Circuits protected by the fuses are, front to rear:

- ① — 15 Amp. Horn, Stop Lights, Hazard Warning Flasher, Interior Light, Cigar Lighter.
- ② — 15 Amp. Hood & Glove Box Light, Electric Rear Window Defroster.
- ③ — 15 Amp. Headlights (High Beam).