

BMW (Cont.)

FUSE BLOCK (Cont.)

6 Cyl. Models (Exc. 530i) — Fuse block is located behind instrument panel on drivers side and is accessible by opening compartment door. Block contains 12 fuses arranged horizontally. Circuits protected by the fuses are, from left to right:

- 1 — 5 Amp. Left Hand Tail, Parking & Side Marker Lights and Engine Compartment Light.
- 2 — 8 Amp. Right Hand Tail, Parking & Side Marker Lights, License Plate & Instrument Panel Lights, Rear Fog Lights and Fog Light Relay.
- 3 — 8 Amp. Left Hand Low Beam.
- 4 — 8 Amp. Right Hand Low Beam.
- 5 — 5 Amp. Left Hand Turn Signal.
- 6 — 5 Amp. Right Hand Turn Signal.
- 7 — 16 Amp. Cigarette Lighter and Automatic Radio Antenna.
- 8 — 8 Amp. Clock, Interior Light, Hazard Warning Flasher, Trailer Turn Indicator, Glove and Luggage Compartment Lights.
- 9 — 16 Amp. Heater Blower, 25 Amp. with Electric Sun Roof.
- 10 — 16 Amp. Rear Window Defogger.
- 11 — 8 Amp. Choke, Gauges and Fuel Pump.
- 12 — 16 Amp. Stop, Back-Up & Turn Indicator Lights, Horn, Windshield Wiper and Washer Motors.

530i Models — Fuse block is located in engine compartment near battery. Circuits protected are listed on fuse block cover.

CAPRI II

FUSE BLOCK

Fuse block is located on left hand side of engine compartment and contains 7 fuses. Circuits protected by the fuses are, from left to right:

- 1 — 8 Amp. Cigarette Lighter, Clock, Interior Light, Hazard Flasher.
- 2 — 8 Amp. License Plate Light, Instrument Lights, Map Light.
- 3 — 8 Amp. Right Tail, Parking and Side Marker Lights.
- 4 — 8 Amp. Left Tail, Parking and Side Marker Lights.
- 5 — 8 Amp. Horn, Heater Blower.
- 6 — 16 Amp. Front and Rear Wiper Motors, Back-Up Light, Instrument Lights.
- 7 — 8 Amp. Turn Signals, Stop Lights.

COLT

FUSE BLOCK

Fuse block is located on the wall cover to the left of the drivers seat and contains 14 fuses and three spare fuses. Circuits protected are as follows:

- ① — 10 Amp. Right High Beam.
- ② — 10 Amp. Left High Beam.
- ③ — 10 Amp. Taillights.
- ④ — 5 Amp. Parking Lights
- ⑤ — 15 Amp. Rear Window Defogger.
- ⑥ — 10 Amp. Back-Up Lights.
- ⑦ — 10 Amp. Turn Signals, Volt. Regulator.
- ⑧ — 10 Amp. Right Low Beam.
- ⑨ — 10 Amp. Left Low Beam.
- ⑩ — 15 Amp. Cig. Lighter, Radio, Horn.
- ⑪ — 10 Amp. Windshield Wiper/Washer.
- ⑫ — 15 Amp. Heater.
- ⑬ — 15 Amp. Hazard Warning Flashers.
- ⑭ — 5 Amp. Dome Light.

FUSIBLE LINK

All Models — Fusible link is located in wire between battery and alternator near battery terminal. Purpose of fusible link is to protect the power and charging circuits from excessive current.

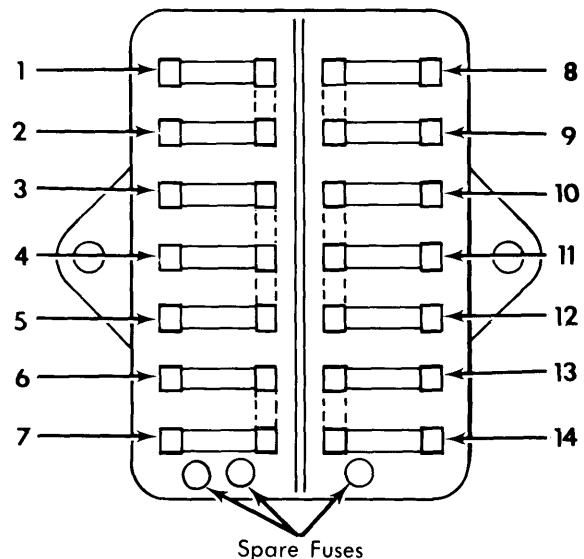


Fig. 2 Dodge Colt Fuse Block

COURIER

FUSE BLOCK

Fuse block is located on left side of engine compartment near the windshield. Block contains seven fuses. Circuits protected by the fuses are, front to rear:

- ① — 15 Amp. Rear Window Defroster.
- ② — 15 Amp. Horn, Hazard Warning Flashers, Stop and Turn Lights
- ③ — 20 Amp. Headlights, Interior Lights, Taillights, Parking and Side Lights.
- ④ — 15 Amp. Engine.
- ⑤ — 15 Amp. Instrument Indicator Lights, Back-Up Lights.
- ⑥ — 15 Amp. Windshield Wiper/Washer.
- ⑦ — 10 Amp. Heater.