

## ARROW

### FUSE BLOCK

Fuse block is located on the wall cover to the left of the drivers seat and contains 14 fuses and three spare fuses. Circuits protected are as follows:

- ① - 10 Amp. Right High Beam.
- ② - 10 Amp. Left High Beam.
- ③ - 10 Amp. Taillights.
- ④ - 5 Amp. Parking Lights.

- ⑤ - 15 Amp. Rear Window Defogger.
- ⑥ - 10 Amp. Back-Up Lights.
- ⑦ - 10 Amp. Turn Signals, Volt. Regulator.
- ⑧ - 10 Amp. Right Low Beam.
- ⑨ - 10 Amp. Left Low Beam.
- ⑩ - 15 Amp. Cig. Lighter, Radio, Horn.
- ⑪ - 10 Amp. Windshield Wiper/Washer.
- ⑫ - 15 Amp. Heater.
- ⑬ - 15 Amp. Hazard Warning Flashers.
- ⑭ - 5 Amp. Dome Light.

## AUDI

### FUSE BLOCK

**Fox** - Fuse block is located on left behind dashboard bin attached to the steering column. It contains 17 fuses arranged horizontally. Circuits protected by the fuses are, from left to right:

- 1 - 8 Amp. Left Hand Low Beam.
- 2 - 8 Amp. Right Hand Low Beam.
- 3 - 8 Amp. Left Hand High Beam.
- 4 - 8 Amp. Right Hand High Beam.
- 5 - 8 Amp. Fan, Heater and Back-Up Lights.
- 6 - 8 Amp. Horn.
- 7 - 8 Amp. Turn Signals and Emergency Flasher.
- 8 - 16 Amp. Rear Window Defogger.
- 9 - 16 Amp. Windshield Wiper Motor and Cigarette Lighter.
- 10 - 8 Amp. Stop Lights, Interior Lights and Clock.
- 11 & 12 - 16 Amp. Windshield Wiper Switch.
- 13 - 8 Amp. Right Hand Tail & Parking Lights and License Plate Lights.
- 14 - 8 Amp. Left Hand Tail & Parking Lights.
- 15 - 8 Amp. Instrument Lights.

- 16 - 25 Amp. Air Conditioner (Optional).
- 17 - Spare.

**100 Models** - Fuse Block is mounted in front of passenger compartment next to clutch pedal. Block contains 10 fuses, mounted horizontally. Circuits protected by the fuses are, from left to right:

- 1 - 8 Amp. Turn Signals and Emergency Flasher.
- 2 - 16 Amp. Windshield Washer, Fan Motor, Horn, Gauges, Oil Pressure Warning Light and Back-Up Lights.
- 3 - 16 Amp. Windshield Wiper Motor, Cigarette Lighter, Clock and Stop, Instrument, License Plate, Glove Compartment and Interior Lights.
- 4 - 8 Amp. Right Hand Tail Light.
- 5 - 8 Amp. Left Hand High Beam.
- 6 - 8 Amp. Right Hand High Beam and High Beam Indicator.
- 7 - 8 Amp. Left Hand Low Beam.
- 8 - 8 Amp. Right Hand Low Beam.
- 9 - 8 Amp. Left Hand Tail Light.
- 10 - 8 Amp. Rear Window Defogger, Radiator Fan Motor, Clock.

## BMW

### FUSE BLOCK

**4 Cylinder Models** - Fuse block is located in engine compartment on left fender panel near firewall. Block contains 12 fuses which protect circuits as indicated:

- 1 - 5 Amp. Left Tail and Parking Lights.
- 2 - 5 Amp. License Plate, Instrument Panel Illumination, Side Marker, Fog, Right Side Tail and Parking Lights, and Headlight Relay.
- 3 - 8 Amp. Left Low Beam.
- 4 - 8 Amp. Right Low Beam.
- 5 - 5 Amp. Left Turn Signal.
- 6 - 5 Amp. Right Turn Signal.
- 7 - 16 Amp. Cigar Lighter.
- 8 - 8 Amp. Clock, Key Warning Buzzer, Hazard Warning Flasher, Trailer Flasher System, and Interior Light.
- 9 - 16 Amp. Heater Blower.
- 10 - 16 Amp. Heated Rear Window.
- 11 - 8 Amp. Automatic Choke, Electric Fuel Pump, and Instrument Panel Indicators.
- 12 - 16 Amp. Horn, Windshield Wipers and Washer, Stop, Turn Signal Flasher, and Back-Up Lights.

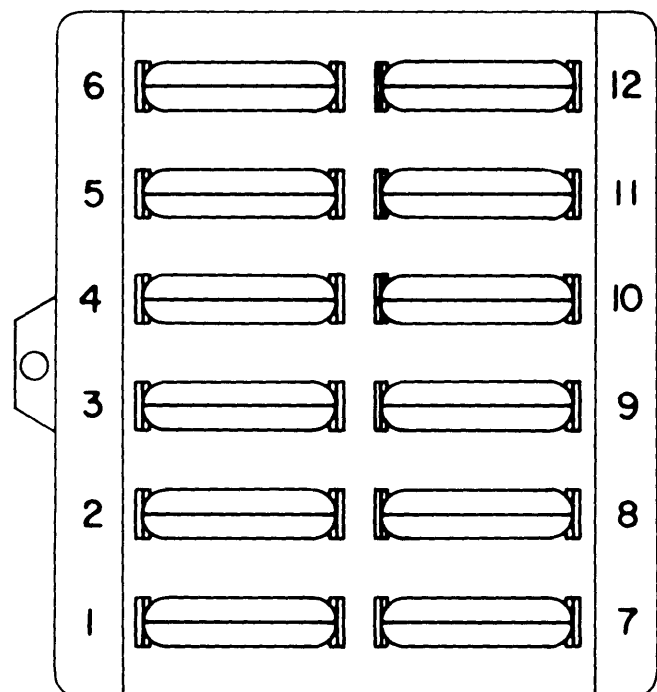


Fig. 1 BMW 4 Cylinder Fuse Block

## BMW (Cont.)

**FUSE BLOCK (Cont.)**

**6 Cyl. Models (Exc. 530i)** — Fuse block is located behind instrument panel on drivers side and is accessible by opening compartment door. Block contains 12 fuses arranged horizontally. Circuits protected by the fuses are, from left to right:

- 1 — 5 Amp. Left Hand Tail, Parking & Side Marker Lights and Engine Compartment Light.
- 2 — 8 Amp. Right Hand Tail, Parking & Side Marker Lights, License Plate & Instrument Panel Lights, Rear Fog Lights and Fog Light Relay.
- 3 — 8 Amp. Left Hand Low Beam.
- 4 — 8 Amp. Right Hand Low Beam.
- 5 — 5 Amp. Left Hand Turn Signal.
- 6 — 5 Amp. Right Hand Turn Signal.
- 7 — 16 Amp. Cigarette Lighter and Automatic Radio Antenna.
- 8 — 8 Amp. Clock, Interior Light, Hazard Warning Flasher, Trailer Turn Indicator, Glove and Luggage Compartment Lights.
- 9 — 16 Amp. Heater Blower, 25 Amp. with Electric Sun Roof.
- 10 — 16 Amp. Rear Window Defogger.
- 11 — 8 Amp. Choke, Gauges and Fuel Pump.
- 12 — 16 Amp. Stop, Back-Up & Turn Indicator Lights, Horn, Windshield Wiper and Washer Motors.

**530i Models** — Fuse block is located in engine compartment near battery. Circuits protected are listed on fuse block cover.

## CAPRI II

**FUSE BLOCK**

Fuse block is located on left hand side of engine compartment and contains 7 fuses. Circuits protected by the fuses are, from left to right:

- 1 — 8 Amp. Cigarette Lighter, Clock, Interior Light, Hazard Flasher.
- 2 — 8 Amp. License Plate Light, Instrument Lights, Map Light.
- 3 — 8 Amp. Right Tail, Parking and Side Marker Lights.
- 4 — 8 Amp. Left Tail, Parking and Side Marker Lights.
- 5 — 8 Amp. Horn, Heater Blower.
- 6 — 16 Amp. Front and Rear Wiper Motors, Back-Up Light, Instrument Lights.
- 7 — 8 Amp. Turn Signals, Stop Lights.

## COLT

**FUSE BLOCK**

Fuse block is located on the wall cover to the left of the drivers seat and contains 14 fuses and three spare fuses. Circuits protected are as follows:

- ① — 10 Amp. Right High Beam.
- ② — 10 Amp. Left High Beam.
- ③ — 10 Amp. Taillights.
- ④ — 5 Amp. Parking Lights
- ⑤ — 15 Amp. Rear Window Defogger.
- ⑥ — 10 Amp. Back-Up Lights.
- ⑦ — 10 Amp. Turn Signals, Volt. Regulator.
- ⑧ — 10 Amp. Right Low Beam.
- ⑨ — 10 Amp. Left Low Beam.
- ⑩ — 15 Amp. Cig. Lighter, Radio, Horn.
- ⑪ — 10 Amp. Windshield Wiper/Washer.
- ⑫ — 15 Amp. Heater.
- ⑬ — 15 Amp. Hazard Warning Flashers.
- ⑭ — 5 Amp. Dome Light.

**FUSIBLE LINK**

**All Models** — Fusible link is located in wire between battery and alternator near battery terminal. Purpose of fusible link is to protect the power and charging circuits from excessive current.

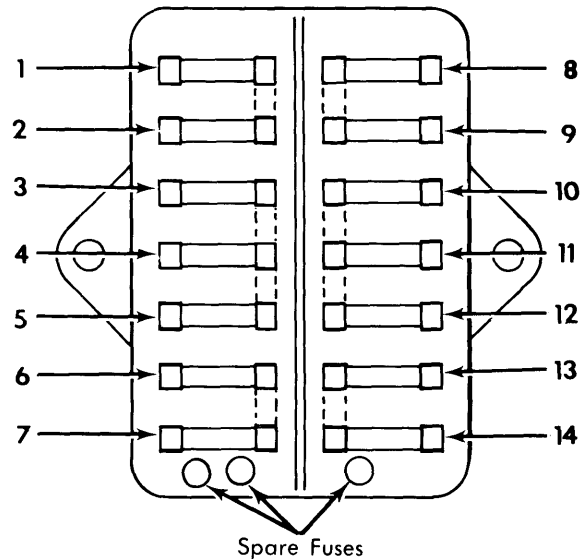


Fig. 2 Dodge Colt Fuse Block

## COURIER

**FUSE BLOCK**

Fuse block is located on left side of engine compartment near the windshield. Block contains seven fuses. Circuits protected by the fuses are, front to rear:

- ① — 15 Amp. Rear Window Defroster.
- ② — 15 Amp. Horn, Hazard Warning Flashers, Stop and Turn Lights
- ③ — 20 Amp. Headlights, Interior Lights, Taillights, Parking and Side Lights.
- ④ — 15 Amp. Engine.
- ⑤ — 15 Amp. Instrument Indicator Lights, Back-Up Lights.
- ⑥ — 15 Amp. Windshield Wiper/Washer.
- ⑦ — 10 Amp. Heater.