

COLT

FUSE BLOCK

Fuse block is located on lower left kick panel and contains 14 fuses and four spare fuses. Circuits protected are as follows:

- 1 - 10 Amp. Right High Beam.
- 2 - 10 Amp. Left High Beam.
- 3 - 15 Amp. Parking and Tail Lights.
- 4 - 10 Amp. Emission Control, Fuel Pump.
- 5 - 10 Amp. Windshield Wiper.
- 6 - 15 Amp. Heater.
- 7 - 15 Amp. Turn Signals and Back-Up Lights.
- 8 - 10 Amp. Right Headlight Low Beam.
- 9 - 10 Amp. Left Headlight Low Beam.
- 10 - 5 Amp. Seat Belt Warning System.
- 11 - 15 Amp. Hazard Warning Flashers.
- 12 - 15 Amp. Stop Lights & Horn.
- 13 - 15 Amp. Rear Window Defogger.
- 14 - 15 Amp. Cigar and Radio.

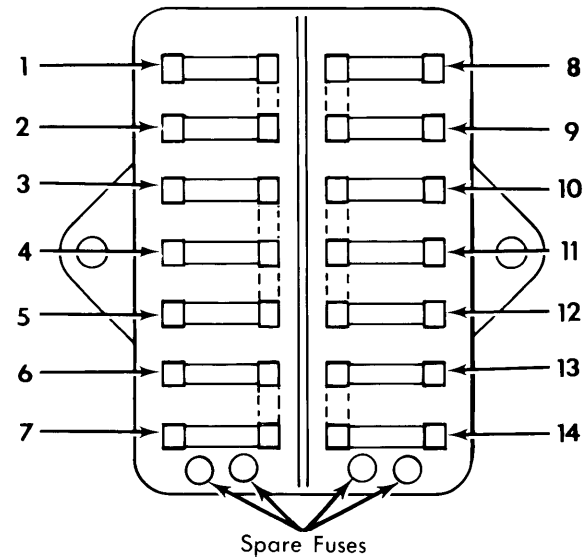


Fig. 2 Dodge Colt Fuse Block

FUSIBLE LINK

All Models - Fusible link is located in wire between battery and alternator near battery terminal. Purpose of fusible link is to protect the power and charging circuits from excessive current.

COURIER

FUSE BLOCK

Fuse Block is located under hood on left rear side of engine compartment. Block contains 6 fuses. Circuits protected by the fuses are, from front to rear:

- 1 - 10 Amp. Heater.
- 2 - 15 Amp. Engine.
- 3 - 15 Amp. Windshield Wiper and Washer.
- 4 - 15 Amp. Gauges, Indicator Lights and Back-Up Lights.

- 5 - 20 Amp. Headlights, Interior Light, Instrument Lights, Front Parking and Side Marker Lights.
- 6 - 15 Amp. Horn, Hazard and Turn Signal Flasher, Stop Lights, Turn Signal Lights, Rear Parking and Side Marker Lights, Tail Lights, License Light.

IN-LINE FUSES

A large master in-line fuse is located on left hand side of firewall near battery.

DATSUN

FUSE BLOCK

B210 - Fuse block is located under instrument panel to left of steering column and contains 8 fuses. Circuits protected are as follows:

- 1 - 10 Amp. Kickdown Switch, Neutral Safety Switch, Turn Signals, Back-Up Lights, Gauges, Warning Lights, Tachometer.
- 2 - 15 Amp. Windshield Wiper/Washer, Heater.
- 3 - 15 Amp. Hazard Warning System, Stop Lights, Horn.
- 4 - 15 Amp. Interior Light, Theft Protection System, Cigarette Lighter.
- 5 - 10 Amp. EGR and Catalyst Warning System.
- 6 - 15 Amp. Headlights.
- 7 - 10 Amp. Parking, Tail, Side Marker and Instrument Lights.
- 8 - 20 Amp. Rear Window Defogger, Radio.

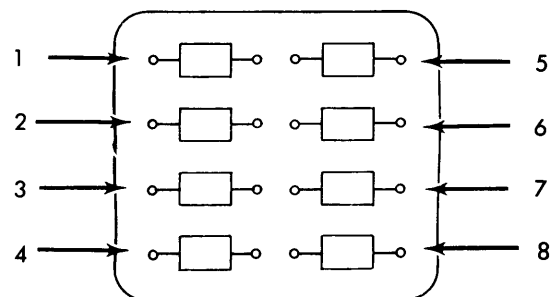


Fig. 3 Datsun B210 Fuse Block

DATSUN (Cont.)

FUSE BLOCK (Cont.)

610 & 710 — Fuse block is located on right side kick panel and contains 10 fuses. Circuits protected are as follows:

- 1 — 10 Amp. Turn Signals, Back-Up Lights.
- 2 — 5 Amp. Warning Lights, Gauges.
- 3 — 20 Amp. Heater, Radio.
- 4 — 10 Amp. Windshield Wiper/Washer.
- 5 — 10 Amp. Left Headlight.
- 6 — 20 Amp. Side Marker, Tail and License Lights, Instrument and Control Illumination Lights.
- 7 — 10 Amp. Hazard Warning System, Interior Lights, Theft Protection System.
- 8 — 10 Amp. Clock, Cigarette Lighter.
- 9 — 20 Amp. Stop Lights, Horn.
- 10 — 10 Amp. Right Headlight.

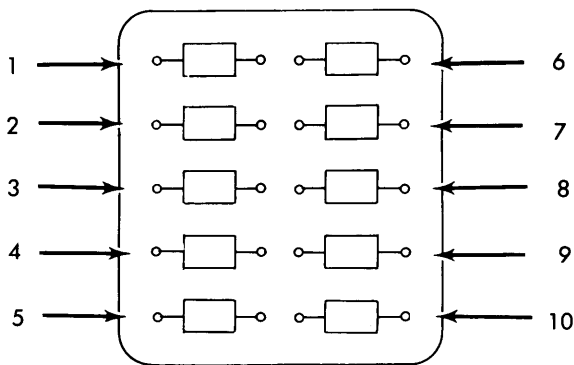


Fig. 4 Datsun 610 and 710 Fuse Block

280Z — Fuse block is located on right side kick panel and contains 14 fuses. Circuits protected are as follows:

- 1 — 10 Amp. Right Headlight.
- 2 — 10 Amp. Left Headlight.
- 3 — 10 Amp. Gauges, Warning Lights, Emission Control System, Voltage Regulator.
- 4 — 10 Amp. Turn Signal System, Kickdown Solenoid, Gauges, Low Fuel Warning Light.
- 5 — 20 Amp. Tail, Side Marker, License, Instrument Illumination, Fog, and Glove Box Lights.
- 6 — 10 Amp. Hazard Warning System, Interior Lights, Theft Protection System.
- 7 — 10 Amp. Map Light, Cigarette Lighter, Clock.
- 8 — 10 Amp. Heater or A/C Relay, Rear Window Defogger, Indicator Light, Radio.
- 9 — 20 Amp. Windshield Wiper/Washer, Back-Up Lights.
- 10 — 10 Amp. Horn.
- 11 — 10 Amp. Stop Lights.
- 12 — 20 Amp. Rear Window Defogger.
- 13 — 20 Amp. Heater and A/C.
- 14 — 1 Amp. Catalyst Warning Lights.

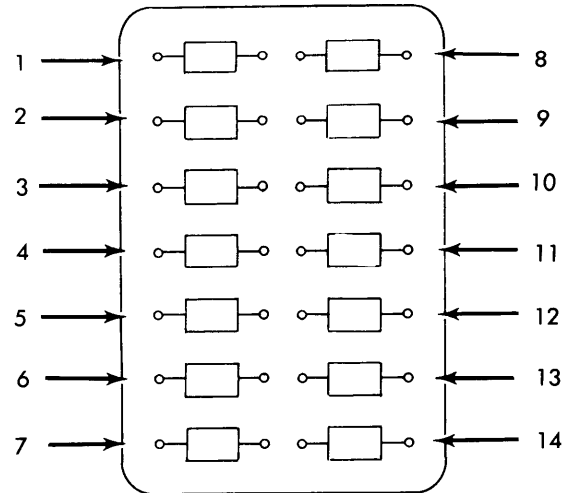


Fig. 5 Datsun 280Z Fuse Block

Pickup — Fuse block is located under instrument panel to the right of steering column and contains 6 fuses. Circuits protected are as follows:

- 1 — 10 Amp. Heater, Emission Control.
- 2 — 15 Amp. Windshield Wiper/Washer, Heater Blower.
- 3 — 10 Amp. Back-Up, Warning and Turn Signal Lights, Gauges, Kickdown Switch, Voltage Regulator.
- 4 — 10 Amp. Side Marker, Tail, License, Engine Compartment, Instrument and Control Illumination Lights.
- 5 — 15 Amp. Headlights.
- 6 — 15 Amp. Hazard Warning System, Horn, Stop Lights.

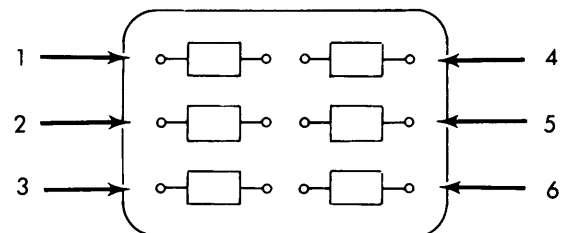


Fig. 6 Datsun Pickup Fuse Block

Pickup — In addition, pickup models have fusible links protecting the interior lights, cigarette lighter and clock.

FUSIBLE LINK

All Models — Fusible link is located in wire between battery and alternator near the battery. Its purpose is to protect the alternator and related circuits.