

## COLT

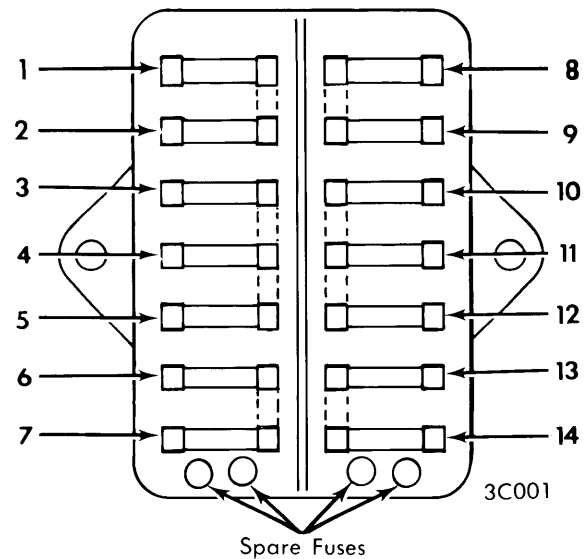
## FUSE BLOCK

Fuse block is located on lower left kick panel and contains 14 fuses and four spare fuses. Circuits protected are as follows:

- 1 - 10 Amp. Right High Beam.
- 2 - 10 Amp. Left High Beam.
- 3 - 10 Amp. Tail Lights.
- 4 - 10 Amp. Parking Lights.
- 5 - 10 Amp. Windshield Wipers.
- 6 - 10 Amp. Heater.
- 7 - 15 Amp. Turn Signals and Back-Up Lights.
- 8 - 10 Amp. Right Headlight Low Beam.
- 9 - 10 Amp. Left Headlight Low Beam.
- 10 - 5 Amp. Seat Belt Warning System.
- 11 - 15 Amp. Hazard Warning Flashers.
- 12 - 15 Amp. Stop Lights & Horn.
- 13 - 15 Amp. Rear Window Defogger.
- 14 - 15 Amp. Cigar and Radio.

## FUSIBLE LINK

**All Models** - Fusible link is located in wire between battery and alternator near battery terminal. Purpose of fusible link is to protect the power and charging circuits from excessive current.



DODGE COLT FUSE BLOCK

## COURIER

## FUSE BLOCK

Fuse Block is located under hood on left rear side of engine compartment. Block contains 6 fuses. Circuits protected by the fuses are, from front to rear:

- 1 - 10 Amp. Heater.
- 2 - 15 Amp. Engine.
- 3 - 15 Amp. Windshield Wiper and Washer.
- 4 - 15 Amp. Gauges, Indicator Lights and Back-Up Lights.

- 5 - 20 Amp. Headlights, Front Parking, Turn Signals, & Side Marker Lights, Interior Lights, and Instrument Lights.
- 6 - 15 Amp. Horn, Hazard Flasher, Turn Signal Flasher, Stop Lights, Turn Signal Indicator, Rear Parking, Turn Signal & Side Marker Lights, Tail Lights and License Plate Lights.

## IN-LINE FUSES

A large master in-line fuse is located on left hand side of firewall near battery.

## DATSUN

## FUSE BLOCK

**Pickup** - Fuse block is located under instrument panel to right of steering column. Circuits protected are listed on fuse block cover.

**B210** - Fuse block is located above drivers side kick panel. Circuits protected are listed on fuse block cover.

**All Other Models** - Fuse block is located above passengers side kick panel. Circuits protected are listed on fuse block cover.

## FUSIBLE LINK

**All Models** - Fusible link is located in wire between battery and alternator near the battery. Its purpose is to protect the alternator and related circuits.