

## PORSCHE HEADLIGHT DOORS

### DESCRIPTION

Porsche retractable headlights are electrically controlled by two motors and the headlight switch (located on instrument panel). Headlight switch enables driver to choose one of two positions; parking light position (#1), or main beam position (#2).

### REMOVAL & INSTALLATION

#### Headlight Removal

Position headlights to full up (main beam) position and disconnect ground cable. Loosen three front panelling screws and remove panelling. Loosen two screws securing rear panelling and remove panelling. Remove rubber cover from bulb socket and pull lines from contacts. Loosen three screws securing headlight (not adjusting screws) and remove headlight.

#### Headlight Installation

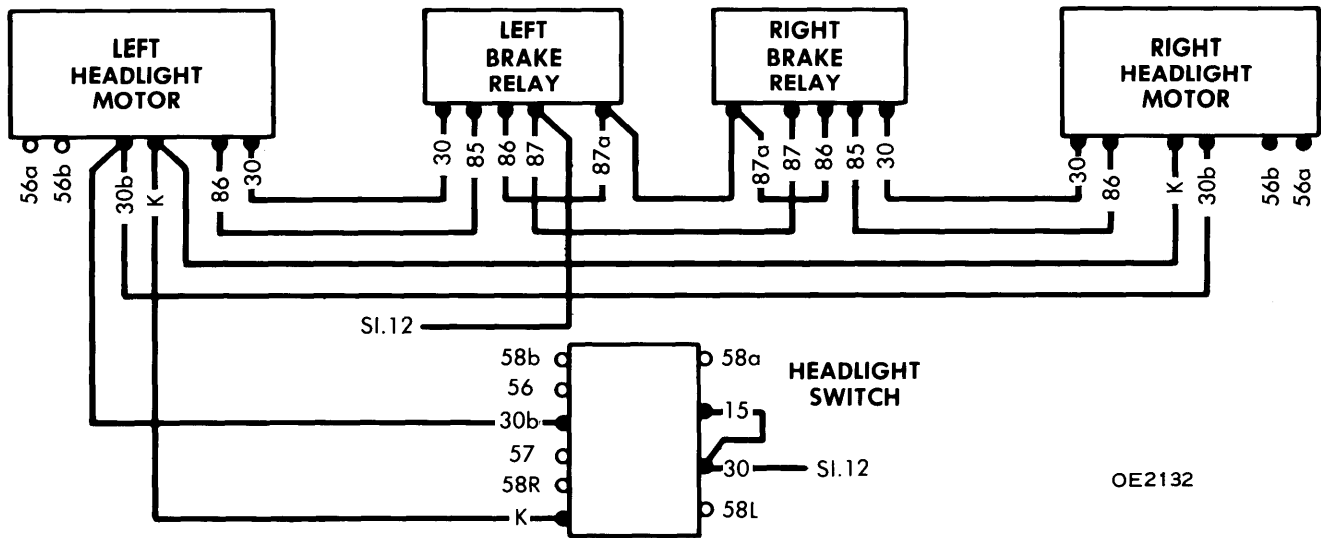
Install in reverse order of removal procedure.

#### Motor Removal

If motor inoperative, position headlights to full up (main beam) position by means of hand wheel, then pull crank from motor. Remove three screws securing motor and remove assembly after loosening ground connection screw. The motor cannot be repaired, therefore, it must be replaced.

#### Motor Installation

Install motor in reverse order of removal procedure.



OE2132

PORSCHE RETRACTABLE HEADLIGHT CIRCUIT