

## MITSUBISHI

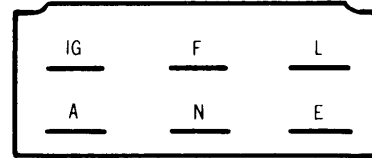
Dodge Colt  
Mazda

### ADJUSTMENT

Adjust voltage of the constant voltage relay by bending end of coil side plate up or down as shown in illustration. If plate is bent up, the adjusted value becomes higher. If it is bent down, value becomes lower. Adjust pilot lamp relay by same method.

### DESCRIPTION

Regulator consists of two elements: constant-voltage relay and pilot lamp relay. Both relays consist of an electromagnet, contacts, frame, moving element and coil side plate. This regulator has a temperature compensation gradient as an improvement over the constant voltage charging system. It has functions for automatically compensating the adjusted value of the constant-voltage relay so that the adjusted value will be lower in summer and higher in winter.

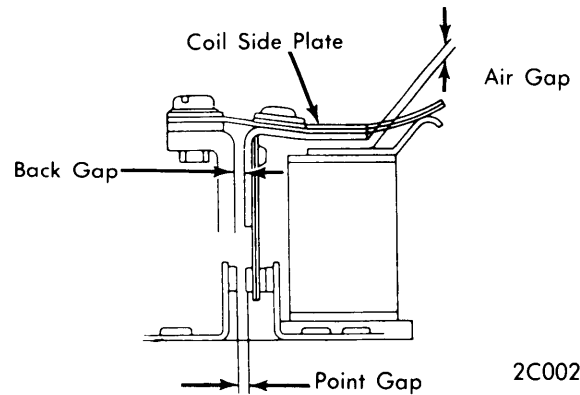


3C001

### APPLICATION

Model	Part No.
Dodge Colt.....	RQB2220D
Mazda (Exc. Rotary Pickup).....	0259 18 391B
Mazda Rotary Pickup.....	0453 18 391

### REGULATOR HARNESS CONNECTOR



2C002

### TESTING

To check adjusted value of constant voltage relay, connect a voltmeter between terminal "A" and "E" of the regulator. Place generator at no load by disconnecting one of the battery terminals during operation at idling speed, then increase alternator speed to approximately 4000 RPM (Approximately 2000 engine RPM). In this condition, satisfactory voltage is 14.0-15.8 volts.

### VOLTAGE ADJUSTMENT

## MITSUBISHI ALTERNATOR REGULATOR SPECIFICATIONS

Reg. No.	VOLTAGE REGULATOR				PILOT LAMP RELAY		
	Output Volts	Air Gap in. (mm)	Back Gap in. (mm)	Point Gap in. (mm)	Air Gap in. (mm)	Back Gap in. (mm)	Point Gap in. (mm)
RQB2220D	14.3-15.8	.032-.047 (.81-1.2)	.032-.043 (.81-1.1)	.012-.016 (.31-.41)	.035-.047 (.89-1.2)	.030-.043 (.76-1.1)	.030-.043 (.76-1.1)
025918391B	14-15	.028-.043 (.71-1.1)	.028-.043 (.71-1.1)	.012-.016 (.31-.41)	.035-.047 (.89-1.2)	.028-.043 (.71-1.1)	.028-.043 (.71-1.1)
045318391	13.5-14.5	.028-.051 (.71-1.3)	.028-.059 (.71-1.5)	.012-.018 (.31-.45)	.035-.055 (.89-1.4)	.028-.059 (.71-1.5)	.028-.043 (.71-1.1)