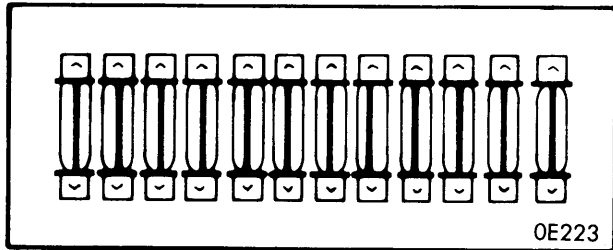


## SAAB

### FUSE BLOCK

**1965-68 3 Cyl. Models** – Fuse block is located on firewall on right side of engine compartment. Each circuit is protected by an 8 amp. fuse. Application and identification is printed on top of fuse block cover.



1965-68 SAAB 3 CYLINDER FUSE BLOCK

**1967-72 Sonett Models** – Fuses are located in two separate fuse blocks, one in engine compartment on left inner fender panel and the other under instrument panel on left side. Blocks contain sixteen 8 amp. fuses. Circuits protected are indicated inside block cover.

**1967-73 95 & 96 Models** – Fuse block is located in engine compartment on right side of firewall. Block contains twelve 8 amp. fuses, including one spare for optional equipment. Block is labeled to show each fuse application.

**1969-73 99 Models** – Fuse block is located in engine compartment on left inner fender panel. Block contains 12 fuses, including one spare for optional equipment. All fuses are 8 amp. Block is labeled to show each fuse application.

### IN-LINE FUSES

**1973 99 Models** – One 3 amp. fuse, located near fuse block, protects headlight wiper system.

## SIMCA

### FUSE BLOCK

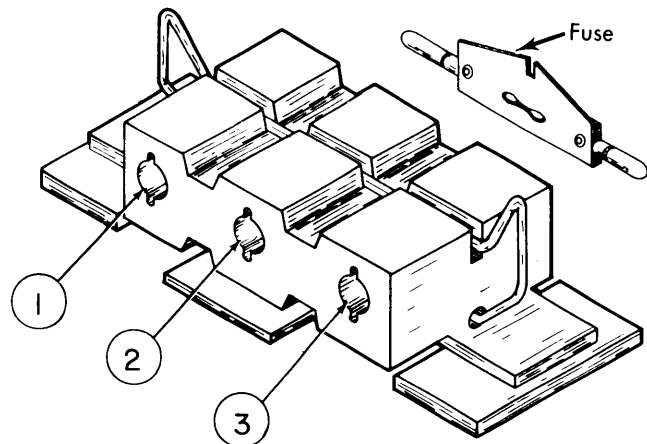
**1963-70 Models** – Fuse block is located under instrument panel, to left of steering column. Fuse block contains three 10 amp. fuses, which control circuits indicated:

### 1963-70 MODELS

- 1 – 10 Amp. Windshield Wipers, Heater-Defroster, and Stop Lights.
- 2 – 10 Amp. Interior Lights and Horn.
- 3 – 10 Amp. Instrument Cluster, Front and Rear Parking, and License Plate Lights.

### IN-LINE FUSES

**All Except 1963 Rush Models** – An in-line fuse in turn signal protects turn signal circuit.



OE156

1963-70 SIMCA FUSE BLOCK

## SUBARU

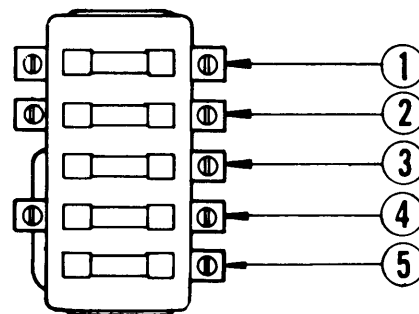
### FUSE BLOCK

**1971 Models** – Fuse block is located on left fender in engine compartment. Spare fuses are attached to wiring harness at rear of battery.

### 1971 MODELS

- 1 – 10 Amp. License, Tail, and Turn Lights.
- 2 – 10 Amp. Fuel Pump, Ignition Coil, Wiper Motor, Back-Up, and Stop Lights.
- 3 – 20 Amp. Radio, Cigar Lighter, Interior Light, Emergency Warning Flasher, and Wipers.
- 4 – 25 Amp. Wiper and Light Switch.
- 5 – 25 Amp. Horn.

1E1003



1971 SUBARU FUSE BLOCK

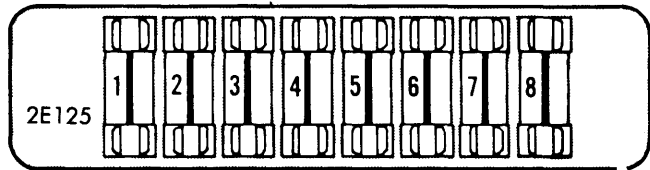
## SUBARU (Cont.)

**1972-73 Models** — Fuse block is located on right fender in engine compartment. Spare fuses are located in fuse block cover.

## 1972-73 MODELS

- 1 — 25 Amp. Light Switch.
- 2 — 20 Amp. Key Warning Buzzer, Interior Light, Clock, Stop Lights, Hazard Flasher, Turn Signals, and Cigar Lighter.
- 3 — 30 Amp. Ignition Switch.
- 4 — 10 Amp. Horn, Radio, Heater, Windshield Wiper and Washer.
- 5 — 10 Amp. Instrument, Parking, Side Marker, Tail, and License Lights.

- 6 — 10 Amp. Back-Up Lights, Turn Flasher, and Turn Signals.
- 7 — 10 Amp. Headlight Low Beam.
- 8 — 10 Amp. Headlight High Beam.



1972-73 SUBARU FUSE BLOCK

## SUNBEAM

## FUSE BLOCK

**All Models** — Fuse block is located in engine compartment on firewall. Circuits protected are indicated.

## ALL MODELS

- 1 — Protects Circuits Not On Ignition Circuit.
- 2 — Protects Circuits Controlled By Ignition Circuit.
- 3 — Protects Side and Tail Light Circuits.

## TOYOTA

## FUSE BLOCK

**1965-72 Models (Exc. Hi-Lux)** — Fuse block is located under instrument panel near hood release.

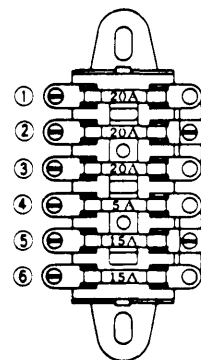
## 1965-72 MODELS

- 1 — Headlight High Beam "R" (All), High-Beam Indicator Light (Celica, Corona & MK II).
- 2 — Headlight High-Beam "L" (All), High-Beam Indicator Light (Corolla).
- 3 — Headlight Low-Beam "R".
- 4 — Headlight Low-Beam "L".
- 5 — Parking, Tail, License Plate Lights (All), Instrument Light (Celica, Corona, Corolla), Heater Control Light (Celica & Corolla), Marker Lights (Corolla).
- 6 — Horn, Stop Light (All), Hazard Flasher (Celica), Key Warning Buzzer (Corolla).
- 7 — Cigar Lighter, Clock, Interior Light (All), Instrument Light (MK II).
- 8 — Heater, Gauges, Back-Up Light (All), Brake Warning Light (Celica & Corolla).
- 9 — Wiper & Washer Motor.
- 10 — Turn Signal Lights.

**1969-72 Hi-Lux Models** — Fuse block is located on firewall in engine compartment.

## 1969-72 MODELS

- 1 — Head, Parking and Interior Lights.
- 2 — Horn, Cigar Lighter and Stop Light.
- 3 — Hazard Warning Lights.
- 4 — Gauges, Back-Up Lights.
- 5 — Wiper and Heater Motor.
- 6 — Turn Signals.



1969-72 HI-LUX FUSE BLOCK

2E117

CELICA, COROLLA, CORONA, MK II  
FUSE BLOCK

**1973 Corolla, Celica & Carina Models** — Fuse block is located under instrument panel near or on left kick panel. Block contains eight fuses. Circuits protected are, from top to bottom:

## 1973 MODELS

- 1 — 15 Amp. Parking, Tail, License Plate, Side Marker and Instrument Lights.
- 2 — 20 Amp. Horn, Stop Lights, Hazard Warning Flasher and Seat Belt Warning System.

## TOYOTA (Cont.)

- 3 - 20 Amp. Cigarette Lighter, Interior Lights and Clock.
- 4 - 15 Amp. Radio.
- 5 - 20 Amp. Heater, Gauges, Back-Up Lights and Rear Window Defogger (if equipped).
- 6 - 15 Amp. Turn Signals, Voltage Regulator and Emission Control System.
- 7 - 15 Amp. Ignition Coil.
- 8 - 15 Amp. Windshield Wiper and Washer Motors.

**1973 Corona, Corona Mk II & Hi-Lux Models** - Fuse block is located under instrument panel on left side of vehicle. Block contains eight fuses. Circuits protected are, from end of block labeled "TOP":

### 1973 MODELS

- 1 - 15 Amp. Instrument, Parking, Side Marker, Tail & License Plate Lights plus Glove Box & Engine Compartment Light (if equipped).
- 2 - 20 Amp. Hazard Warning System (Exc. Hi-Lux), Key Warning Buzzer, Horns and Stop Lights.
- 3 - 20 Amp. Hazard Warning System & Coolant Temperature Light (Hi-Lux only), Cigarette Lighter and Interior Lights.
- 4 - 20 Amp. Radio, Windshield Wiper and Washer Motors.
- 5 - 20 Amp. Heater, Gauges, Back-Up Lights and Rear Window Defogger (if equipped).
- 6 - 15 Amp. Turn Signals and Voltage Regulator.
- 7 - 15 Amp. Ignition Coil and Emission Control System.
- 8 - 20 Amp. Spare.

**1965-71 Crown Models** - Fuse block is located under instrument panel, above brake pedal and is covered with a plastic shield.

### 1965-71 MODELS

- 1 - Left Low Beam.
- 2 - Right Low Beam.
- 3 - Tail, License Plate, and Glove Box Lights.

- 4 - Front Parking Lights.
- 5 - Left High Beam.
- 6 - Right High Beam and High Beam Indicator Light.
- 7 - Power Windows.
- 8 - Meter Pilot Light.
- 9 - Radio.
- 10 - Cigar Lighter, Clock, Inspection Light Socket, Horn, Stop, Interior, and Courtesy Lights.
- 11 - Heater.
- 12 - Gauges and Back-Up Lights.
- 13 - Turn Signals and Voltage Regulator.
- 14 - Wiper and Washer Motors.

**1972 Crown Models** - Fuse block is located on cowl side trim board and contains 14 fuses.

### 1972 MODELS

- 1 - 20 Amp. Turn Signals.
- 2 - 15 Amp. Windshield Wipers and Washer.
- 3 - 20 Amp. Gauges, Back-Up Lights, and Heated Rear Window.
- 4 - 20 Amp. Heater.
- 5 - 20 Amp. Horn, Stop Lights, and Hazard Warning Flasher.
- 6 - 20 Amp. Cigar Lighter, Clock, and Interior Light.
- 7 - 30 Amp. Power Windows and Back Door Indicator Light.
- 8 - 10 Amp. Right High Beam and High Beam Indicator.
- 9 - 10 Amp. Left High Beam.
- 10 - 10 Amp. Tail, Parking, License, and Instrument Lights.
- 11 - 15 Amp. Radio and Power Antenna.
- 12 - 10 Amp. Right Low Beam.
- 13 - 10 Amp. Left Low Beam.
- 14 - Spare.

**1965-72 Land Cruiser Models** - Fuses protect circuits as indicated.

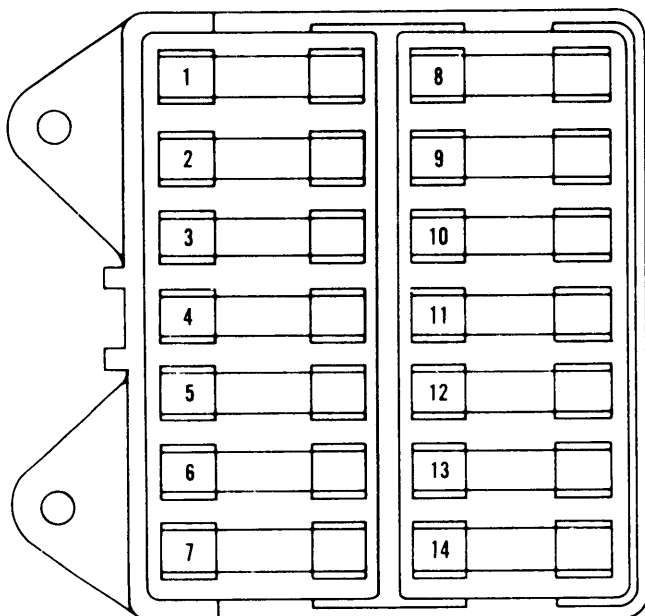
### 1965-72 MODELS

- 1 - 15 Amp. Turn Signals.
- 2 - 15 Amp. Heater Motor and Windshield Wipers.
- 3 - 5 Amp. Back-Up Lights and Interior Lights.
- 4 - 20 Amp. Spare.
- 5 - 20 Amp. Stop Lights, Inspection Light Socket, Cigar Lighter, and Horn.
- 6 - 20 Amp. Head and Tail Lights, and Interior Lights.

**1973 Land Cruiser Models** - Fuse block is mounted under instrument panel to left of steering column (Station Wagon) or on left kick panel (all others). Fuse block contains eight fuses. Circuits protected are, from end of block labeled "TOP":

### 1973 MODELS

- 1 - 15 Amp. Instrument, Parking, Side Marker, Tail and License Plate Lights.
- 2 - 20 Amp. Stop Lights, Horn and Hazard Warning System.
- 3 - 20 Amp. Cigarette Lighter, Interior Lights and Inspection Light Socket.
- 4 - 20 Amp. Radio, Windshield Wiper and Washer Motors.
- 5 - 20 Amp. Back-Up Lights, Heater and Gauges.
- 6 - 15 Amp. Voltage Regulator, Turn Signals and Emission Control System.
- 7 - 15 Amp. Ignition Coil.
- 8 - 20 Amp. Headlights.



2E139

1972 CROWN FUSE BLOCK