

# Chrysler Corp. 6 Engines

## 225" 6 CYLINDER

GENERAL SPECIFICATIONS						
Engine	Net HP At RPM	Torque (Ft. Lbs. at RPM)	Compr. Ratio	Bore	Stroke	Displ. Cu. Ins.
225" 1-Bbl.	95@3600	170@1600	8.4-1	3.40"	4.125"	225

**NOTE** — Horsepower and Torque figures given above are NET. Net Horsepower and Torque represents power at the flywheel when the engine is installed in a vehicle, with wide open throttle and all systems operating such as; air cleaner, exhaust system, water pump, generator, oil pump and air conditioning.

### ENGINE IDENTIFICATION

Engine identification number is stamped on right side of block below number 6 spark plug.

**6 225 R 1024 2**

**1st Digit** — Model Year (6-1976).

**2nd, 3rd & 4th Digits** — Engine Displacement.

**5th Digit** — Vehicle Model ①

**6th, 7th, 8th & 9th Digits** — Build Date.

**Last Digit** — Shift Built.

① — Two digits may be used to decode model.

### SPECIAL ENGINE MARKS

Information identifying undersize crankshaft journals, oversize tappets, cylinders and valve stems are stamped on various locations of engine. Crankshaft journal undersize is stamped on center crankshaft counterweight. Oversize cylinders and tappets are identified by code stamped in front pad on right side of cylinder block. Oversize valve stems are identified by code stamped in front head of thermostat boss.

**R or M** — Numbers 1, 2, 3 or 4 following R or M indicate .001" undersize rod or main bearing journal and which journal is undersize. R-10 or M-10 indicates rod or main bearing journals are .010" undersize.

**"A"** — Indicates all cylinder bores .020" oversize.

**"♦"** — Indicates .008" oversize tappets.

**"O/S"** — Indicates .005" oversize valve stems.

### ENGINE REMOVAL

See *Engine Removal* at end of **ENGINE** Section.

### MANIFOLD ASSEMBLY

**Removal** — Disconnect all hoses and lines from air cleaner and remove air cleaner. Remove carburetor air heater and disconnect all lines and linkage to carburetor and remove carburetor. Disconnect exhaust pipe at manifold. Remove nuts

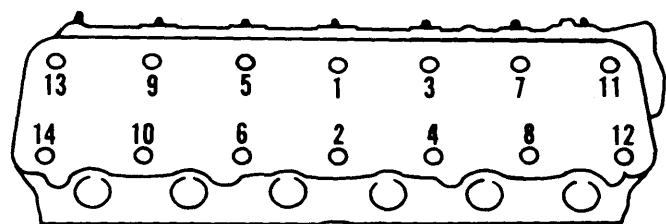
and washers securing manifold assembly to cylinder head and remove manifold. Remove three screws securing intake manifold to exhaust manifold and separate manifolds.

**Installation** — Install new gasket between intake and exhaust manifold and install three screws securing manifolds together. Do not tighten screws at this time. Position manifold assembly on cylinder head using a new gasket. Install washers with cup side against manifold and snug all nuts. Tighten three intake to exhaust screws starting with inner screw. Start at center of manifold assembly and work outward, tightening manifold nuts. Reinstall carburetor, linkage, hoses and air cleaner.

### CYLINDER HEAD

**Removal** — Drain cooling system and disconnect necessary wires, hoses and linkage. Remove manifold and carburetor as an assembly. Remove rocker arm and shaft assembly. Remove push rods and identify to insure installation in original location. Remove cylinder head bolts, cylinder head and gasket.

**Installation** — Coat gasket with suitable sealer. Install gasket and head on cylinder block. Install bolts and tighten in two steps to specifications. Use tightening sequence shown in illustration.



3CR01

**CYLINDER HEAD TIGHTENING SEQUENCE**

VALVES							
Engine & Valve	Head Diam.	Face Angle	Seat Angle	Seat Width	Stem Diameter	Stem Clearance	Valve Lift
225"							
Int.	1.620"	45°	45°	.070-.090"	.372-.373"	.001-.003"	.406"
Exh.	1.360"	45°	45°	.040-.060"	.371-.372"	.002-.004"	.414"

## 225" 6 CYLINDER (Cont.)

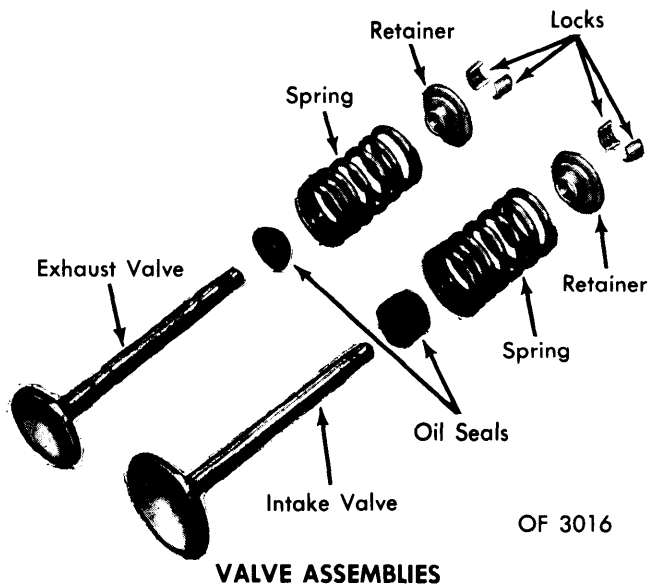
### VALVE ARRANGEMENT

E-I-E-I-E-I-E-I-E-I-E

### VALVE GUIDE SERVICING

**Wear Check** — Remove valve springs and install suitable sleeve (C-3973) over valve stem and install valve. Attach suitable dial indicator to cylinder head and set it at right angle to valve stem being measured. Total sideplay should not exceed .017". If dial reading is excessive or stems are scuffed or scored, ream guides for installation of valves with oversize stems.

**Servicing** — Ream guides to next oversize valve stem. Oversize valve stems are available in .005", .015" and .030" sizes. **NOTE** — Do not attempt to ream guides from standard diameter to .030" oversize in one step. Use step procedure to obtain the .030".



### VALVE STEM OIL SEALS

Cup type used on all valves. Long seal used on intake valve and short seal used on exhaust valve.

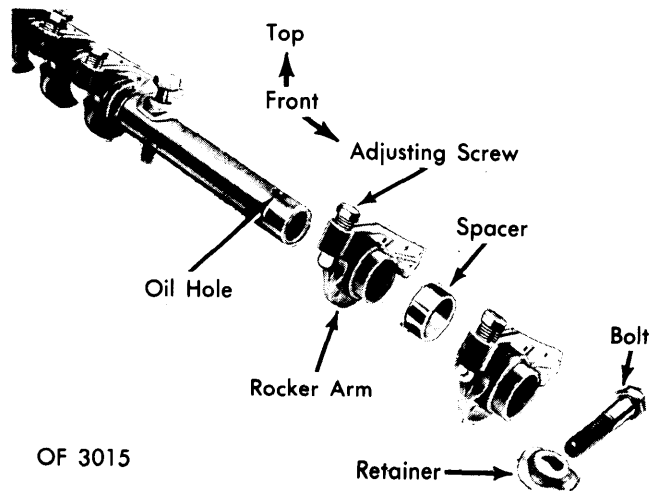
**Installation** — Reverse removal procedure and only compress spring enough to install the locks. Check valve spring height.

### VALVE SPRING INSTALLED HEIGHT

Valve springs must be square within  $\frac{1}{16}$ ". Installed height of spring (measured from spring contact area on head to underside of spring retainer) should not exceed  $1\frac{3}{4}$ ". If height is greater than maximum allowable, install  $\frac{1}{16}$ " spacer(s) to bring height back to normal ( $1\frac{3}{8}$ " to  $1\frac{1}{16}$ ").

### ROCKER ARM ASSEMBLY

See illustration for assembly of parts, noting the following: The assembly must be installed with oil hole upward and toward front of engine. Be sure that shaft retainers are seated on rocker shaft and not on extended bushing of rocker arm. Install long retainer at center position and special shaft bolt at rear of engine. Tighten bolts.



### ROCKER ARM SHAFT ASSEMBLY

### MECHANICAL VALVE LIFTER ADJUSTMENT

Temporarily set intake to .011" and exhaust to .023" with engine cold. Operate engine until normal operating temperature is reached (approximately 195°F water temperature). Allow engine to idle at 550 RPM at operating temperature for five minutes. Adjust intake to .010" and exhaust to .020" with engine at operating temperature.

VALVE SPRINGS			
Engine	Free Length	PRESSURE (LBS.)	
		Valve Closed	Valve Open
225"	1.92"	49-57 @ $1\frac{1}{16}$ "	137-150 @ $1\frac{5}{16}$ "

### VALVE SPRINGS

**Removal** — With cylinder head removed, compress valve springs using suitable tool (C-3422A). Remove valve retaining locks, retainers and valve springs.

PISTONS, PINS, RINGS						
Engine	PISTONS		PINS		RINGS	
	Clearance	Piston Fit	Rod Fit	Rings	End Gap	Side Clearance
225"	.0005-.0015"	.005-.008"	⓪.0007-.0017"	1	.010-.020"	.0015-.003"
				2	.010-.020"	.0015-.003"
				3	.015-.055"	.0002-.005"

⓪ — Interference fit.

# Chrysler Corp. 6 Engines

## 225" 6 CYLINDER (Cont.)

### OIL PAN

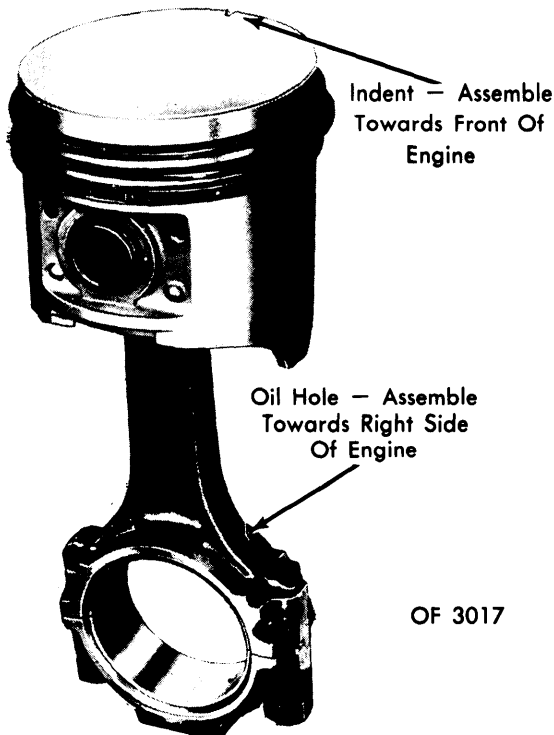
See *Oil Pan Removal at end of ENGINE Section.*

### PISTON & ROD ASSEMBLY

**Removal** — With cylinder head and oil pan removed, use a suitable ridge cutter (C-3012) to remove any ridge or deposits on upper end of cylinder bore. *NOTE* — *Piston must be at bottom of stroke and covered with cloth to collect cutting.* Inspect connecting rods and caps for cylinder identification and mark as necessary. Remove rod cap and push piston and rod assembly out top of cylinder block, taking care not to nick crankshaft journal or cylinder wall. Install rod caps on mating rods.

**Installation** — 1) Compression ring gaps must be located on piston so they will be on left side of engine and staggered about 60° apart. *NOTE* — *Neither gap should line up with oil ring rail gaps.* Rotate oil ring expander so gaps are at right side of engine and rotate steel rails so gaps are opposite (positioned above piston pin holes).

2) Lightly coat cylinder bores, pistons and rings with engine oil, slide suitable ring compressor (C-385) over piston and tighten. Install each piston and rod assembly (notch on piston head facing front of engine and oil hole in connecting rod toward right side of engine) in its respective bore and guide connecting rod onto crankshaft journal. Tap piston head with hammer handle to seat connecting rod against crankshaft. Install rod caps, nuts and tighten.



**CORRECT ASSEMBLY - ROD TO PISTON**

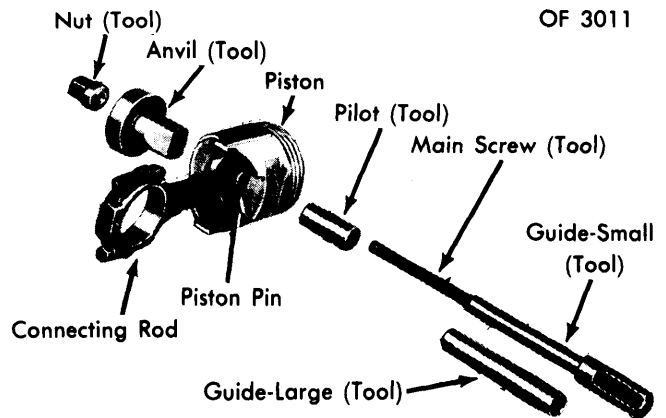
### FITTING PISTONS

With pistons and cylinder bores dry and clean, measure for piston-to-cylinder wall clearance (.005-.0015"). Measurements should be taken at room temperature (70°F). Measure piston diameter at top of skirt 90° to piston pin axis. Measure cylinder bore halfway down cylinder and 90° to crankshaft center line.

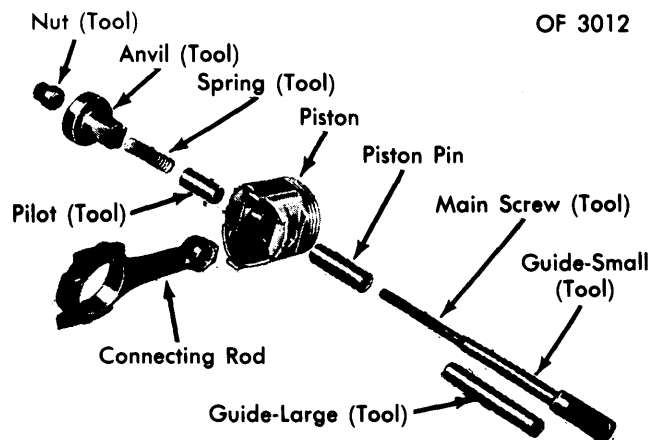
### PISTON PINS

**Removal** — Use suitable tool (C-3724) to press piston pin from its bore (see illustration).

**Installation** — Lubricate pin bore and use suitable tool (C-3724) and arbor press to install piston pin while noting following: Position piston head with notch up and connecting rod so oil hole will face right side of engine upon installation. Press pin into position until pin bottoms on pilot of tool.



**TOOL ARRANGEMENT - PISTON PIN REMOVAL**



**TOOL ARRANGEMENT - INSTALLING PISTON PIN**

## 225" 6 CYLINDER (Cont.)

CRANKSHAFT MAIN & CONNECTING ROD BEARINGS							
Engine	MAIN BEARINGS				CONNECTING ROD BEARINGS		
	Journal Diam.	Clearance	Thrust Bearing	Crankshaft End Play	Journal Diam.	Clearance	Side Play
225"	2.7495-2.7505"	.0005-.002"	No.3	.002-.007"	2.1865-2.1875"	.0005-.0025"	.006-.012"

### MAIN & CONNECTING ROD BEARINGS

**Connecting Rod Bearings** – 1) After ensuring rod caps are marked for cylinder identification, remove rod caps. Smooth edges of a 1/2" by 3/4" piece of brass shim stock .001" thick. Oil and place between bearing and connecting rod journal. Install bearing cap and tighten. Rotate crankshaft 1/4 turn in each direction (Shim Stock Method for checking clearances). If a slight drag is felt, clearance is within limits. If no drag is felt, clearance is excessive. If crankshaft cannot be rotated, clearance is not enough.

2) New bearings are available in standard, .001", .002", .003", .010" and .012" undersize. Always install bearings in pairs. Do not use a new bearing with an old bearing. Install connecting rod bearings so formed tang fits into machined groove in connecting rod. Install rod caps and tighten nuts.

**Main Bearings** – 1) Use Shim Stock Method and check main bearing clearances, one at a time while all other main bearing caps are tight. New bearings are available in standard, .001", .002", .003", .010" and .012" undersize. A new .001" bearing half may be used in combination with a new standard bearing half or a .002" with a .001". *NOTE* – Always use smaller diameter bearing half as upper.

2) If bearing clearances are not within limits, remove bearing cap, insert suitable tool (C-3509) in oil hole journal and rotate crankshaft clockwise to remove upper bearing half. To install new upper bearing, slightly chamfer sharp edges from plain side and start bearing in place. Insert tool and slowly rotate crankshaft counterclockwise, sliding bearing in place. Install main bearing cap with new bearing installed and tighten. *NOTE* – Upper main bearings are grooved and lower main bearings are plain. Upper and lower are not interchangeable.

3) Check crankshaft end play and if not within specifications, change number three main bearing. This bearing carries thrust load.

### REAR MAIN BEARING OIL SEAL

New split type rubber seals may be replaced without removing the crankshaft. New type seals must be installed as a pair and cannot be used or combined with old type rope seals.

**Removal** – Remove upper rope seal by turning suitable tool (C-4148) into end of seal and pulling seal out with tool, being careful not to mar crankshaft. Remove lower seal by carefully prying from the side with small screwdriver.

**Installation** – Oil upper seal lip lightly with engine oil. Hold seal (with paint stripe to rear) tightly against crankshaft with a thumb and rotate crankshaft while sliding seal into groove. *CAUTION* – Sharp edge of groove in block may shave or nick the back of the seal. Care must be exercised not to damage the sealing lip. Install lower half of seal into lower seal retainer with paint stripe to the rear. Install main bearing cap and tighten. Install lower seal retainer and tighten. *NOTE* – Do not use sealer or cement on seal ends or lip.

### ENGINE FRONT COVER

**Removal** – Drain cooling system and remove radiator and fan. Use suitable puller (C-3732A) and remove vibration damper. Loosen oil pan bolts to provide clearance between pan and lower flange of cover. Remove cover bolts and cover.

**Installation** – Check that mating surfaces of chain case cover and cylinder block are clean and free from burrs. Install cover with new gasket and tighten bolts. Tighten oil pan bolts with gaskets in place. Install vibration damper, radiator and fan. Fill cooling system.

### FRONT COVER OIL SEAL

**Removal** – With front cover removed, use drift and hammer to lightly tap at several positions around seal case. Using vise grips, twist and pull at several positions on seal to remove.

**Installation** – Use suitable tool (C-3506) to install seal in front cover. Seal is properly installed when seal case is tight against face of cover. A .0015" feeler gauge should not be able to enter between neoprene face and cover.

CAMSHAFT			
Engine	Journal Diam.	Clearance	Lobe Lift
225"		.001-.003"	.....
No.1	1.998-1.999"		
No.2	1.982-1.983"		
No.3	1.967-1.968"		
No.4	1.951-1.952"		

### TIMING CHAIN

**Checking For Stretch** – Place scale next to timing chain to measure any movement of the chain. Place torque wrench with socket over camshaft sprocket lock bolt and apply torque in direction of crankshaft rotation to take up slack. Torque should be 30 ft. lbs. with heads installed or 15 ft. lbs. with heads removed. Apply torque in reverse direction and measure amount of chain movement. If movement exceeds 1/8", replace chain.

**Removal & Installation** – Remove camshaft sprocket attaching bolt and remove timing chain with camshaft sprocket. Turn crankshaft to line up centerline of camshaft and crankshaft with the timing mark on crankshaft sprocket. Install camshaft sprocket and timing chain. Line up timing marks on sprockets with centerline of crankshaft and camshaft. Tighten camshaft sprocket bolt.

# Chrysler Corp. 6 Engines

## 225" 6 CYLINDER (Cont.)

### CAMSHAFT

**Removal** - Remove tappets using suitable tool (C-4129). Remove timing chain sprockets, distributor, oil pump and fuel pump. Install a long bolt in front end of camshaft to facilitate careful removal. Remove camshaft, being careful not to damage cam bearings with the cam lobes.

**Installation** - Lubricate camshaft lobes and bearing journals. Carefully install camshaft in cylinder block. Install all components removed prior to camshaft removal.

### CAMSHAFT BEARINGS

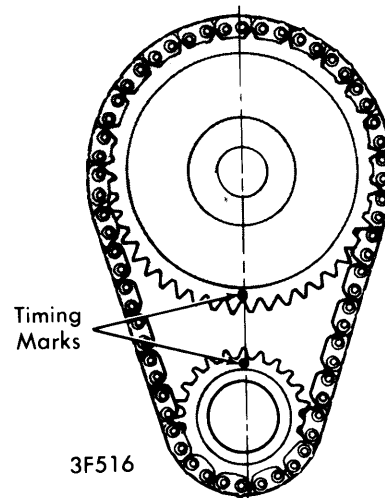
**Removal** - With camshaft removed, drive out rear cam bearing welch plug. Install proper size adaptors and horseshoe washers (C-3132A) at the back of each bearing and drive out all bearings.

**Installation** - Install new bearings using suitable tool by sliding new bearing over the proper adaptor. Position bearing on tool. Install horseshoe lock and drive the bearing into place. **NOTE** - Camshaft bearing oil hole or holes must be in exact alignment with drilled oil passages from main bearings. Install number one camshaft bearing  $\frac{3}{32}$ " inward from front face of cylinder block. Apply sealer to new welch plug and install at rear of camshaft. Be sure this plug does not leak.

VALVE TIMING				
Engine	INTAKE		EXHAUST	
	Open (BTDC)	Close (ABDC)	Open (BBDC)	Close (ATDC)
All	16°	48°	54°	10°

### VALVE TIMING

- 1) Turn crankshaft until No. 6 exhaust valve is closing and No. 6 intake is opening.
- 2) Turn No. 1 intake valve adjusting screw in one turn to remove lash. Install dial indicator so plunger contacts valve spring retainer at a 90° angle. Zero indicator.
- 3) Turn crankshaft clockwise until intake valve has lifted .029". Timing indicator on front pulley should read between 12° BTDC and TDC.
- 4) If front pulley marks are not within limits, inspect sprocket index marks, timing chain for wear or check accuracy of TDC mark on front pulley.



TIMING CHAIN SPROCKET ALIGNMENT

### ENGINE OILING

**Crankcase Capacity** - 4 quarts. Add 1 quart with filter change.

**Oil Filter** - Replace every second oil change. Follow installation directions printed on case of new filter.

**Normal Oil Pressure** - 30-70 psi at 2000 RPM.

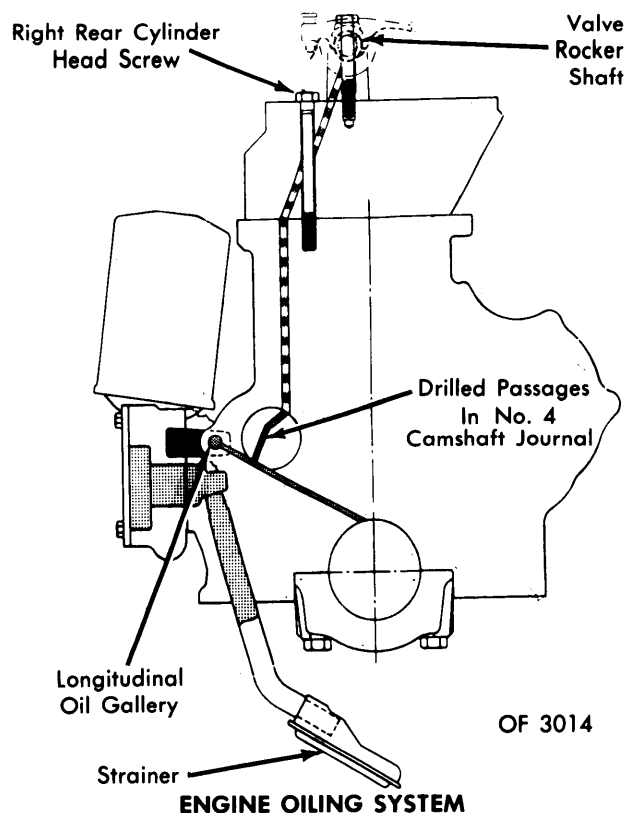
**Pressure Regulator Valve** - In oil pump body. Not adjustable.

### ENGINE OILING SYSTEM

Refer to illustration and note the following:

**Rocker Arms & Valves** - Transverse channel in rear camshaft journal feeds oil from rear camshaft bearing up through channel in block and cylinder head to rear rocker arm shaft bracket (oil flows around rear bracket bolt into rocker shaft). Trough on upper surface of rocker arm lubricates pushrod seats and valve stems.

**Crankshaft Bearings** - All main bearings are lubricated as shown in illustration. Connecting rod bearings are lubricated by holes drilled in the crankshaft between the main and pin journals.



OF 3014

## 225" 6 CYLINDER (Cont.)

### ENGINE OILING (Cont.)

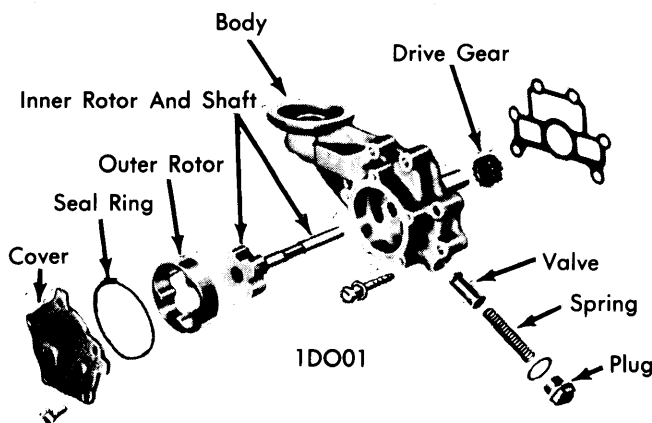
#### OIL PUMP

**Disassembly** — Remove pump cover and seal ring. Press off drive gear while supporting gear to eliminate load on aluminum body of pump. Remove outer rotor and inner rotor with shaft. Remove oil pressure relief valve plug, spring and valve.

**Inspection** — Clean and inspect all parts for damage. Measure all clearances indicated in Oil Pump Specifications table and replace as follows:

- 1) Replace entire pump assembly if pump cover wear, clearance over rotors or outer rotor-to-pump body clearance are not within specifications.
- 2) Replace both rotor assemblies if tip clearance between rotors, rotor thickness or rotor diameter are not within specifications.
- 3) Oil pressure relief valve must be free from scoring and operate freely in bore of pump body. Spring should have a free length of 2 1/4" and test between 22.3 and 23.3 lbs. when compressed to 1 13/32". Replace spring which does not meet specifications.

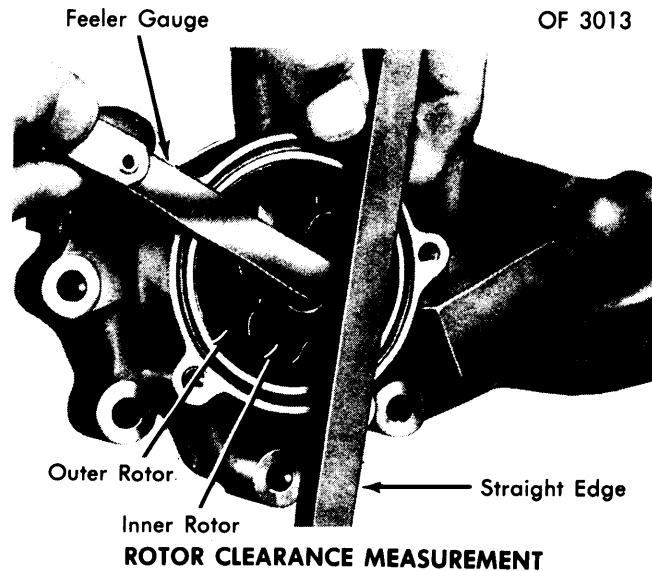
**Assembly & Installation** — Assemble pump in reverse order of disassembly using new parts as necessary. Prime oil pump before installation by filling rotor cavity with engine oil. Install pump on engine.



**OIL PUMP ASSEMBLY**

#### Oil Pump Specifications

Pump Cover Wear.....	.0015" Max.
Inner & Outer Rotor Thickness.....	.649" Min.
Outer Rotor Diameter.....	2.469" Min.
Clearance Over Rotors.....	.004" Max.
Outer Rotor-to-Pump Body Clearance.....	.014" Max.
Tip Clearance Between Rotors.....	.010" Max.



#### TIGHTENING SPECIFICATIONS

Application	Ft. Lbs.
Cylinder Head .....	70
Manifold-to-Cylinder Head.....	120 INCH Lbs.
Intake-to-Exhaust Manifold.....	240 INCH Lbs.
Oil Pan .....	200 INCH Lbs.
Main Bearing Cap.....	85
Rear Main Bearing Seal Retainer .....	30
Connecting Rod Cap.....	45
Camshaft Sprocket .....	50
Rocker Shaft Support Bracket.....	25
Rocker Arm Cover .....	40 INCH Lbs.
Oil Pump Cover .....	95 INCH Lbs.
Engine Front Cover.....	200 INCH Lbs.
Oil Pump Attaching Bolt .....	200 INCH Lbs.
Water Pump .....	30
Oil Filter Stud.....	10
Front Mount-to-Frame.....	75
Front Mount-to-Engine .....	50