

Wiper/Washer Systems

GENERAL MOTORS – INTEGRAL WIPER MOTOR (Cont.)

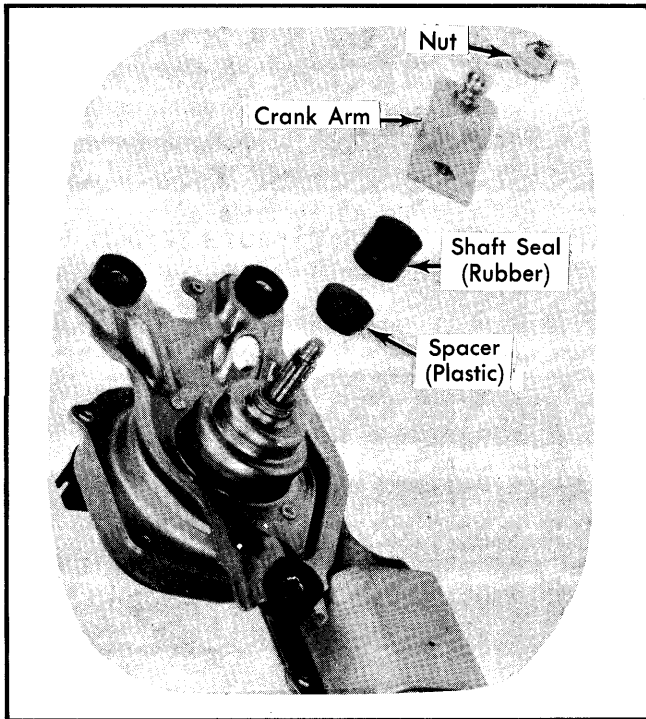


Fig. 3 Integral Motor Crank Arm Assembly

WIPER SWITCH

Removal – 1) Remove steering wheel, turn signal switch, ignition lock and key buzzer. Remove steering column cover screws and lift cover off.

NOTE – For complete procedures, see *Steering Column Switches* in *STEERING* Section.

2) Remove retainer, pivot pin, and wiper switch from column.

Installation – To install, reverse removal procedure.

DELAY CONTROL SWITCH

Removal – Disconnect battery cable. Remove trim plate or cluster bezel for access to switch. Remove mounting screws or ferrule nut and pull switch forward. Cut 5-wire harness at switch and remove switch. Disconnect other end of harness under steering column and remove harness.

Installation – Feed new harness through switch opening and connect under steering column. Replace switch, install screws or ferrule nut and install trim plate or bezel. Reconnect battery.

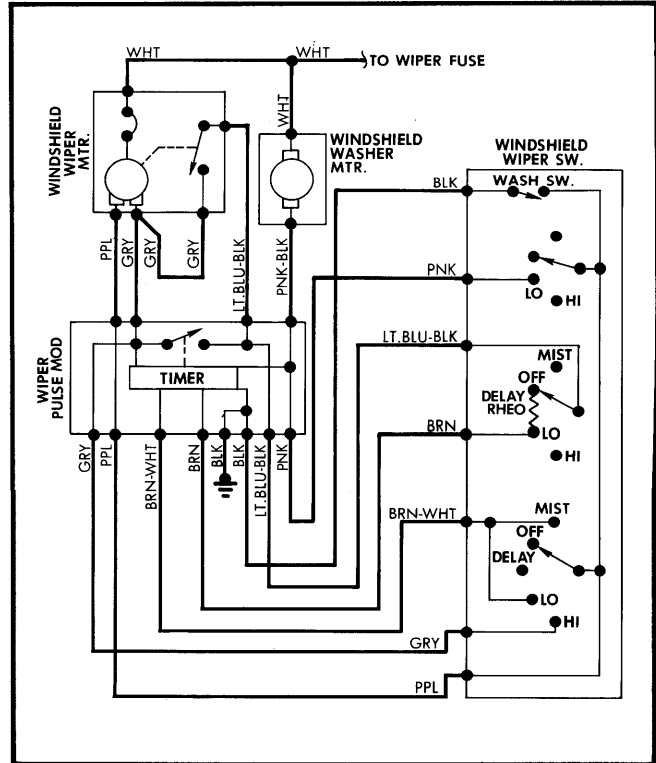


Fig. 4 General Motors Integral Wiper Wiring Diagram
Citation, Omega, Phoenix, Skylark
Intermittent System