

CHRYSLER CORP. LIFTGATE

Chrysler (LeBaron)
 Dodge (Aries, Omni)
 Plymouth (Horizon, Reliant)

DESCRIPTION & OPERATION

The rear window/liftgate wiper system includes a circuit breaker, wiring harness, control switch, washer motor, and single speed wiper motor. The wiper motor automatically parks the wiper blade at the bottom of the glass when the control switch is turned "OFF".

TESTING

Aries, LeBaron & Reliant – 1) Remove liftgate trim cover. Inspect for loose connections at motor. Disconnect feed connector. With ignition switch "ON" and wiper switch "OFF", check for battery voltage at Brown wire.

2) With ignition and wiper switches "ON", check for battery voltage at Blue wire. If no battery voltage is obtained, check circuit breaker, switch and wiring. If battery voltage obtained, but motor does not operate, replace motor.

Horizon & Omni – 1) Remove plastic motor cover. Inspect for loose connections at motor. Disconnect feed connector. With ignition switch "ON" and wiper switch "OFF", check for battery voltage at Blue wire.

2) Turn ignition and wiper switches on. Check for battery voltage at Blue and Brown wires. If no battery voltage is obtained, check circuit breaker, switch and wiring.

3) With ignition switch "ON" and wiper switch "OFF", check for battery voltage between Blue and Brown wires. If no battery voltage is obtained, check ground wire to switch.

4) If voltage present, apply battery voltage to a terminal on switch plate without wires. If motor does not operate, replace motor. If motor operates and drive shaft rotates, replace switch plate. If motor operates but drive shaft does not rotate, inspect motor drive mechanism and replace parts as needed.

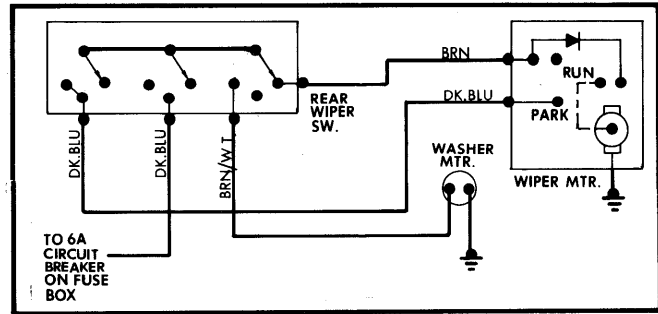


Fig. 1 Liftgate Wiper Wiring Diagram
 (Aries, LeBaron & Reliant)

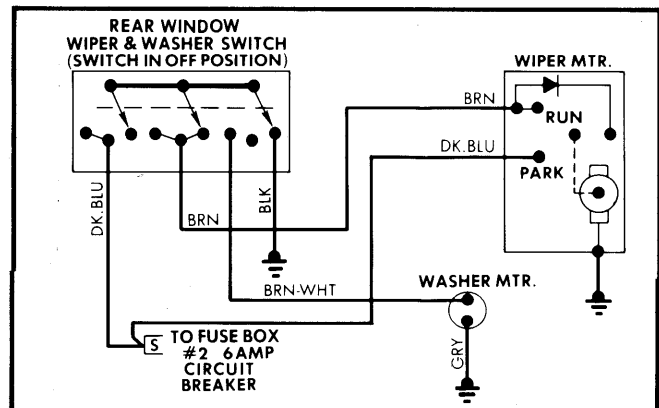


Fig. 2 Liftgate Wiper Wiring Diagram
 (Horizon & Omni)

REMOVAL & INSTALLATION

MOTOR AND LINKAGE

Removal – Remove wiper arm from shaft without prying. If necessary, use puller tool (C-3982). On Horizon and Omni models, remove pivot shaft nut, ring and seal from pivot shaft. On all models, disconnect feed connector. Remove motor attaching screws and remove motor.

Installation – To install, reverse removal procedure.