

FORD MOTOR CO. 4-WAY

Fairmont, Zephyr,
Granada, Cougar,

DESCRIPTION & OPERATION

The 4-way power seat provides horizontal movement as well as vertical movement of the front edge of the seat. A dual motor drives the seat, using 2 gear boxes and flexible drive cables. The control switch on the lower left side of the driver's seat directs current to the motor.

TESTING

Disconnect motor leads from the circuit. Connect battery and ground wires directly to motor. Motor should operate in one direction. Reverse leads; motor should reverse rotation. If motor does not operate properly, check motor and tracks. If motor does operate, use the following chart to test wiring, using an ohmmeter or test lamp.

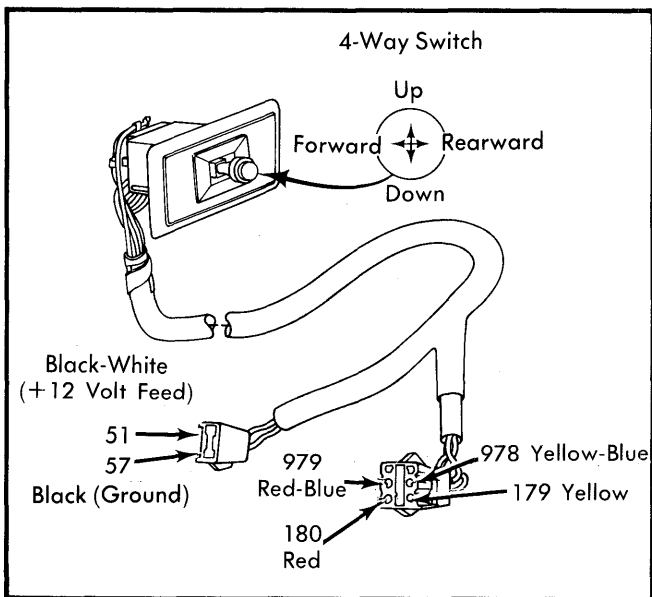


Fig. 1 4-Way Power Seat Connector Terminal Identification

Input Circuit Tests

Switch Position	Continuity Between Terminals
Neutral.....	No continuity between 51 and any terminal.
Up.....	51 and 978
Down.....	51 and 979
Forward.....	51 and 180
Rearward.....	51 and 179

Ground Circuit Tests

Switch Position	Continuity Between Terminals
Neutral.....	Continuity between 57 and all other terminals.
Up.....	57 and 179, 180, 979
Down.....	57 and 179, 180, 978
Forward.....	57 and 179, 978, 979
Rearward.....	57 and 180, 978, 979

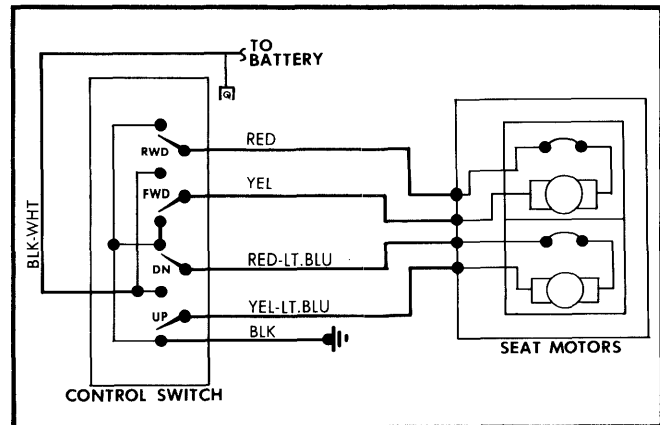


Fig. 2 Ford Motor Co. 4-Way Power Seat Wiring Diagram

REMOVAL & INSTALLATION

SEAT & TRACK

Removal - Remove seat track-to-floor pan attaching bolts. Disconnect feed and switch wiring connectors, then remove seat from vehicle.

Installation - Reverse removal procedure, then using the control switch, check seat operation in all positions.

MOTOR & DRIVE CABLES

Removal - 1) With seat removed from vehicle, remove motor-to-motor mount bracket bolts. Disconnect 2 hose clamps from drive input shafts.

2) Insert square end of drive cable into vertical drive unit and manually turn drive unit until seat is placed in full up position. Using same procedure in horizontal drive unit, place seat in mid-horizontal position.

3) Remove clock springs with vise grips. Remove horizontal assist spring. Remove 2 nuts and bolts retaining drive assembly to carriage.

4) Manually move horizontal pinion rack gear to gain access to retaining hair pins, which hold vertical clevis pins. Remove drive assembly.

Installation - Reverse removal procedure, then using the control switch, check seat operation in all positions.