

Power Seats

AMERICAN MOTORS

DESCRIPTION & OPERATION

Power seats are available for both driver's and passenger's sides. Power operation in 6 directions is provided by a 3-armature reversible motor, drive cables, and transmission assemblies. The control switch is located on the outboard side of the seat. The electrical circuit is protected by a 30 amp circuit breaker located on the fuse panel.

TESTING

Be sure battery is fully charged and terminals are clean and tight before testing power seats. With all wiring connected and front door open, test operation of seat. If dome lamp dims, seat may be jammed. Check for binding before proceeding to electrical tests. If seat assembly is not jammed, check power feed, control switch, and motor.

WIRING HARNESS TO SWITCH

Disconnect wiring harness under seat. Connect a test lamp between red and black wire in female connector. If test lamp lights, power feed is good. If not, check circuit breaker and wiring to seat. Reconnect wiring connector under seat.

MOTOR

1) To test front motor, connect a jumper wire between the red terminal and the orange terminal of the switch connector. Connect a second jumper between the black terminal and the blue terminal. Motor should operate. If not, reverse leads and test again. If motor does not operate, harness or motor is bad.

2) To test center motor, connect a jumper between the red wire and the tan wire. Connect a second jumper between the black wire and the white wire. Motor should operate. If not, reverse jumper connections. If motor still does not operate, harness or motor is bad.

3) To test rear motor, connect a jumper between the red wire and the green wire. Connect a second jumper between black and yellow wires. Motor should operate. If not, reverse jumper connections. If motor does not operate, replace wiring harness or motor. If motor operates properly, replace the control switch.

CONTROL SWITCH

If power is present at switch connector red wire, and all motors operate, then control switch is faulty. Replace switch and test for proper operation.

REMOVAL & INSTALLATION

SEAT ASSEMBLY

Removal - Disconnect battery ground cable. From under vehicle, remove seat attaching bolts. Tilt seat, disconnect wiring harness, and remove seat assembly from vehicle.

Installation - To install, reverse removal procedure.

MOTOR

Removal - With seat assembly out of vehicle, remove motor mounting screws and disconnect drive cables. Remove motor from adjuster assembly.

Installation - To install, reverse removal procedure.

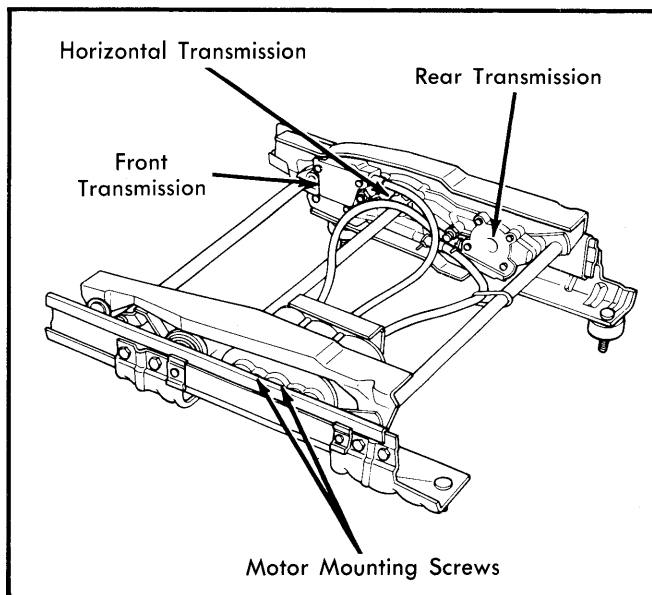


Fig. 1 AMC Seat Track Assembly

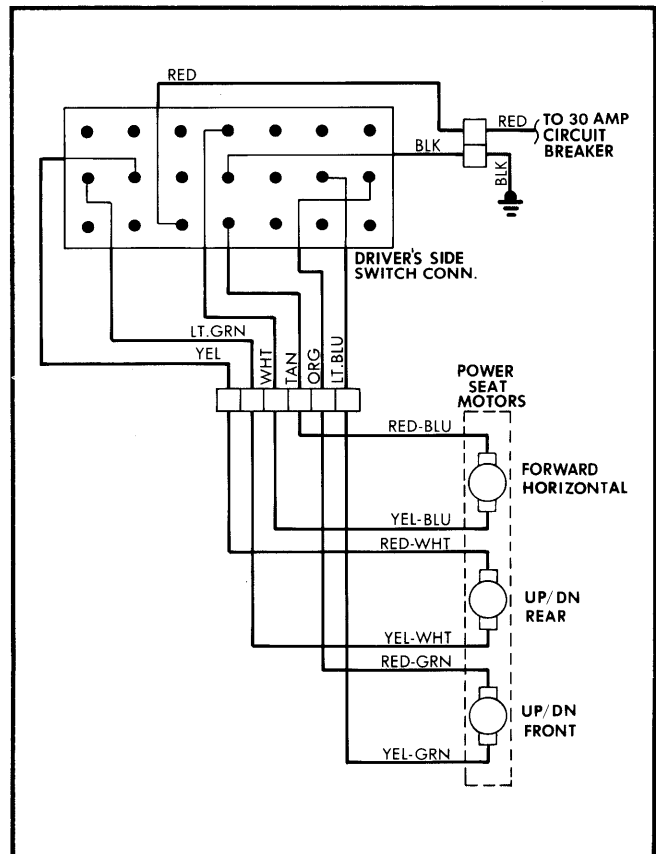


Fig. 2 AMC Power Seat Wiring Diagram