

GENERAL MOTORS

Buick (Electra & Riviera)
Cadillac (All)
Chevrolet (Corvette)
Oldsmobile (88 & 98)

DESCRIPTION & OPERATION

On all except Buick models, power operated rear view mirrors are controlled by a switch on the door armrest for the driver's mirror and a switch on the instrument panel for the passenger side mirror. On Buick models, the driver's door switch controls both mirrors, with a selector switch in the base of the control switch determining which mirror is operated. Movement of the mirror glass is accomplished by reversing polarity to 2 motor and gear reduction units located in each mirror housing.

Cadillac models also have a power mirror heating system which operates in conjunction with the rear window defogger. When the defogger is turned on, the mirror base heats up through a ground lead soldered to it. A thermistor in the wiring circuit interrupts the current flow when the mirror base reaches 158°F and turns off the power to the mirror.

TESTING & DIAGNOSIS

MIRRORS INOPERATIVE

1) Connect test lamp to ground and feed wire at switch. If lamp does not light, check for open in feed wire. If no opens, check for blown fuse. If lamp lights, check switch ground. If ground is okay, check switch and mirror harness connector.

2) If harness is okay, disconnect harness connector behind door and perform switch test. If switch is defective, replace it. If switch operates properly, replace mirror power unit.

MIRROR OPERATES UP AND DOWN ONLY, OR SIDE TO SIDE ONLY

Perform switch test. If switch is okay, replace mirror power unit. If switch is defective, replace switch.

HEATED MIRROR DOES NOT DEFROST EITHER SIDE

Check if rear window defogger operates. If not, check fuse at fuse block. If defogger operates, check mirror wiring.

HEATED MIRROR DOES NOT DEFROST ONE SIDE

Connect test lamp to ground and feed wire at mirror connector. Operate rear defogger. If lamp does not light, check for open in wiring between defogger timer and mirror. If lamp lights, check mirror ground wire. If ground is okay, replace or repair mirror base as required.

SWITCH TEST

Disconnect switch connector to mirror. Make sure switch ground wire is connected. Connect a test lamp to ground and feed wire of switch. If lamp does not light, check for open in feed wire. If lamp lights, move test lamp to terminal of one wire at connector. Operate switch in all directions. Repeat this at all terminal connections. If lamp lights at all wires, switch is good. If lamp does not light at any one wire, check for opens in wiring. If no opens, replace switch.

REMOVAL & INSTALLATION

MIRROR

Removal — Remove door trim panel and disconnect wire harness at connector. Peel back insulator pad and water paper enough to gain access to wire harness. Detach harness from any retaining tabs in door. Remove attaching nuts from mirror base and remove mirror and harness from door.

Installation — To install, reverse removal procedures.

SWITCH

Removal (Armrest Switch) — Remove switch plate mounting screws. Disconnect switch wiring connections and remove switch.

Removal (Instrument Panel Switches) — Remove instrument panel trim plate, or console trim plate, if equipped. Disconnect wiring connections and remove switch.

Installation (All Switches) — To install, reverse removal procedures.

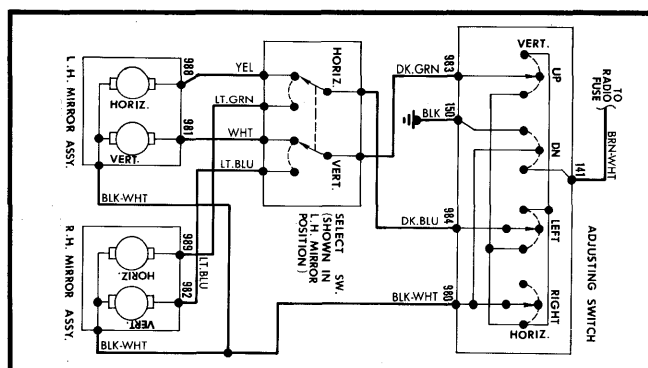


Fig. 1 Corvette Power Mirror Wiring Diagram

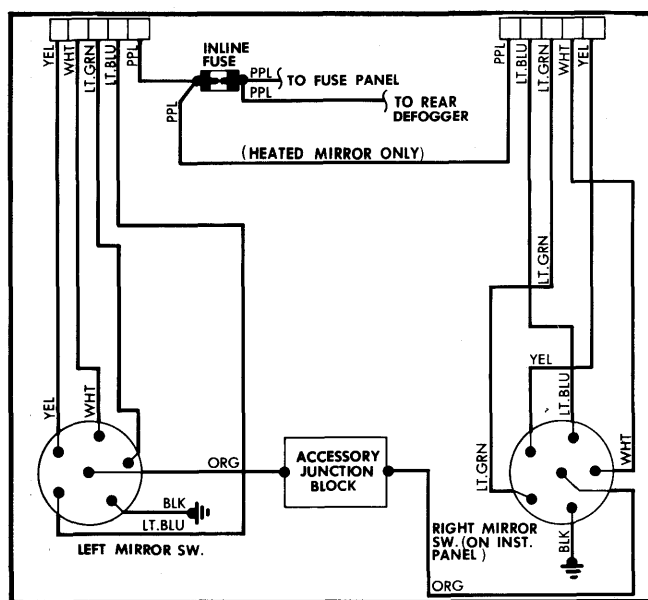


Fig. 2 Typical Power Mirror Wiring Diagram