

## BUICK

### FUSE BLOCK

**NOTE** — All General Motors vehicles except Chevette and T1000 use miniaturized plastic coated fuses. Fuse amperage is embossed on the top of the fuse. Fuses are also color coded to the amperage as shown in the following chart.

Fuse block is located on cowl under left side of instrument panel on all models except Century and Skylark. Fuse block on these models is located under right side of instrument panel.

Mini Fuse Color Table

| Fuse (Amps) | Color Stripe |
|-------------|--------------|
| 3           | Violet       |
| 5           | Tan          |
| 7.5         | Brown        |
| 10          | Red          |
| 20          | Clear/Yellow |
| 25          | White        |

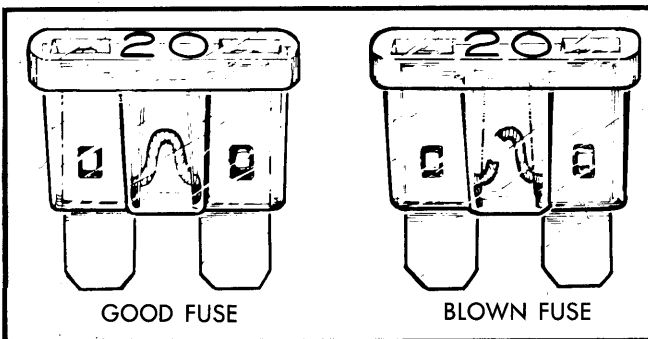


Fig. 1 Miniaturized Fuse Used in All General Motors Vehicles Except Chevette & T1000

### FLASHER LOCATION

**Hazard Flasher** — Located on fuse block on all models except Century, Skyhawk and Skylark. Flasher on these models is located at convenience center on right side of instrument panel.

**Turn Signal** — Flasher is located under left side of instrument panel on all models.

### FUSIBLE LINKS

All models are equipped with fusible links which attach to lower ends of main feed wires and connect to starter solenoid. In addition, a fusible link is located at the EST distributor to protect the Computer Command Control system. Skyhawk models have fusible links located at the following locations: At dash panel bulkhead connector to protect cooling fan, at left front fender to protect vacuum pump and in underhood wiring to protect underhood light.

### CIRCUIT BREAKERS

**Fuse Block** — See Figs. 2 and 3 for circuits using circuit breakers.

**Headlight Circuit** — A thermo circuit breaker is incorporated in the headlight switch assembly to protect headlight circuits.

**Windshield Wiper** — Integral with windshield wiper motor.

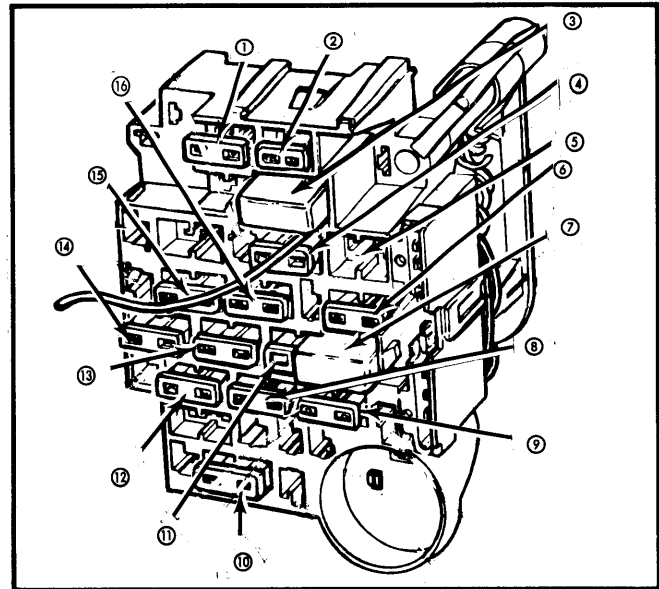


Fig. 2 Fuse Block for Electra, Estate Wagon, LeSabre, Regal & Riviera

### ELECTRA, ESTATE WAGON, LeSABRE, REGAL & RIVIERA FUSE BLOCK CIRCUITS

- ① — 5 Amp. (Tan) Instrument illumination, headlight warning and electronic air conditioning.
- ② — 20 Amp. (Yellow) Electric choke.
- ③ — 30 Amp. Circuit breaker. Power windows and roof, fuel cap lock release.
- ④ — 25 Amp. (White) Air conditioning and deck lid release. Heater and radio capacitor on all but Regal and Riviera. Heater and pulse wipers on Regal.
- ⑤ — 10 Amp. (Red) Electronic Control Module.
- ⑥ — 20 Amp. (Yellow) Stop and hazard lights.
- ⑦ — 30 Amp. Circuit breaker. Power seats, door locks, heated rear window feed and tailgate window on wagons only.
- ⑧ — 20 Amp. (Yellow) Cigar lighter, glove box light, key warning buzzer, power antenna and clock radio on all. Clock, pulse wiper and electronic air conditioning on all but Regal and Riviera. Radio, radio capacitor, dome, sail, trunk and reading light, headlight warning and door locks on Regal only.
- ⑨ — 20 Amp. (Yellow) Not Used on Regal. Dome, sail, trunk, reading, vanity and panel lights, headlight warning, automatic door locks and rear cigar lighter. Courtesy lights on Riviera only, and tailgate ajar light on all except Riviera.
- ⑩ — 20 Amp. (Yellow) Riviera Only. Automatic level control compressor.
- ⑪ — 10 Amp. (Red) Electra, LeSabre and Regal Only. Instrument gauges, indicator lights, transmission converter clutch and cruise control on all. Electronic control module on all but Regal.
- ⑫ — 10 Amp. (Red) Radio. Cruise control on Riviera only.
- ⑬ — 20 Amp. (Yellow) Turn signals and back-up lights. Automatic door lock and idle stop relay on Riviera only.
- ⑭ — 20 Amp. (Yellow) Tail, side markers, parking, cornering and license lights, clock radio.

## BUICK (Cont.)

- ⑭ - **20 Amp. (Yellow)** Seat belt light and buzzer, heated rear window relay, map and fuel economy lights. Instrument panel gauges, indicator lights, C4 system or turbo controller on Riviera only. Transmission downshift on Electra and LeSabre only. Tailgate window on Regal wagons.
- ⑮ - **10 Amp. (Red)** Diesel engine fuse (if equipped).
- ⑯ - **25 Amp. (White)** Windshield wiper and washer.

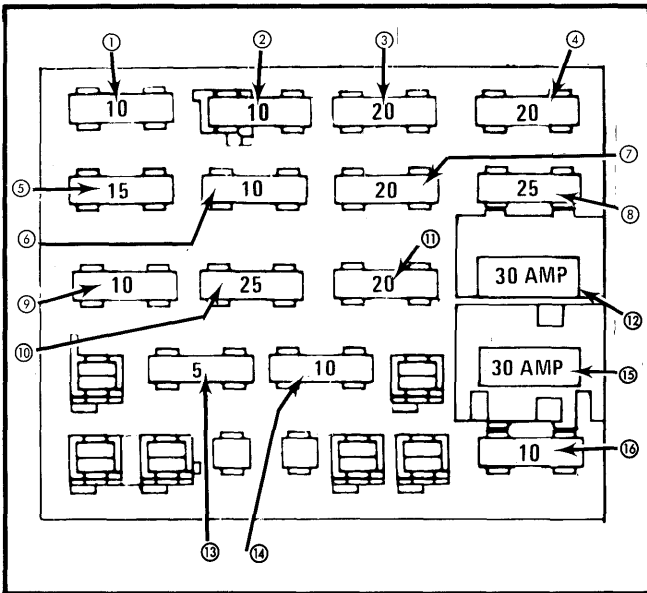


Fig. 3 Fuse Block for Century, Skyhawk & Skylark

### CENTURY, SKYHAWK & SKYLARK FUSE BLOCK CIRCUITS

- ① - **10 Amp. (Red)** Computer command control. Electronic control module on V6 models. Glow plugs and fuel control on Century diesel.
- ② - **10 Amp. (Red)** Computer command control on Skyhawk. Electronic fuel injection on Century and Skylark.
- ③ - **20 Amp. (Yellow)** Stop and hazard lights. Trailer adapter on Skylark only.
- ④ - **20 Amp. (Yellow)** Choke heater and cooling fan on all. Brake warning on Skylark. Charging system and V6 fuel pump on Century only.
- ⑤ - **15 Amp. (Lt. Blue)** Century and Skylark Only. Turn signal, back-up and console indicator lights. Trailer adapter and V6 air conditioning on Skylark only.
- ⑥ - **5 Amp. (Tan)** Skyhawk Only. Vacuum pump. **10 Amp. (Red)** Century and Skylark Only. Electronic fuel injection.
- ⑦ - **20 Amp. (Yellow)** Front parking, marker, rear marker and license lights on all. Rear parking lights on Skyhawk. Digital clock and twilight sentinel on Century and Skyhawk. Tail and opera lights on Century and Skylark. Theft deterrent on Century. Trailer adapter, turn signal, hazard and stop lights on Skylark only.
- ⑧ - **25 Amp. (White)** Century and Skylark Only. Heater, air conditioning and trunk release. **30 Amp. (Lt. Green)** Skyhawk Only. Heater and air conditioning.
- ⑨ - **10 Amp. (Red)** Warning indicators and gauges, air conditioning compressor and computer command control on all. Heater, seat belt warning, defogger and rear wiper on Skyhawk only. Alarm system, brake warning, defogger and electronic fuel injection on all except Skyhawk. Charging system and heater on Skylark only. Cruise control and torque converter clutch on Century only.
- ⑩ - **25 Amp. (White)** Windshield wipers. Theft deterrent on Century.
- ⑪ - **20 Amp. (Yellow)** Power door locks, cigar lighter, clock, horn and courtesy lights on all. Air conditioning, heater, seat belt warning, trunk light and trunk/tailgate release on Skyhawk. Alarm system and power antenna on Century and Skylark. Turn signal, hazard and stop lights on Skylark. Electronic level control, power mirrors, radio, digital clock and theft deterrent on Century only.
- ⑫ - **30 Amp.** Circuit Breaker. Power windows.
- ⑬ - **5 Amp. (Tan)** Instrument panel lights on all. Lights on reminder on Skyhawk. Alarm system on Century and Skylark. Defogger on Century. Console lights on Skylark.
- ⑭ - **10 Amp. (Red)** Radio and cruise control on all. Power antenna on Century only.
- ⑮ - **30 Amp.** Circuit Breaker. Power seats, power door locks and rear window defogger on all. Theft deterrent and automatic door locks on Century only.
- ⑯ - **10 Amp. (Red)** Century and Skylark Only. Computer command control.

### FUSE BLOCK

Fuse block is located at left side on instrument panel on all models. A mini fuse block is integral with the accessory relay panel on models with Digital Fuel Injection and is located under the left side of instrument panel.

### FLASHER LOCATION

**Hazard** - Located on fuse block on all models except Cimarron. Cimarron flasher is located on convenience center located under left side of dash panel.

**Turn Signal** - On steering column lower cover on all models.

## CADILLAC

### CIRCUIT BREAKERS

**Headlights (Twilight Sentinel)** - Integral with headlight switch.

**Windshield Wiper** - Integral with windshield wiper switch.

**Rear Defogger** - (Cadillac only). Circuit breaker located on lower steering column cover reinforcement.

### FUSIBLE LINK

All models are equipped with fusible links which attach to lower ends of main feed wires at junction block, or at starter solenoid. Gauge size is marked on insulation and each link is

## CADILLAC (Cont.)

four sizes smaller than the cable it is designed to protect. The same size wire with special hypalon insulation must be used when replacing a fusible link.

### IN-LINE FUSE

**Vanity Mirror** – 2 amp. fuse located behind mirror.

**Theft Deterrent** – One 20 amp. fuse for lights, and one 25 amp. fuse for horn is located above radio in instrument panel.

**Trunk Lid Pull Down** – One 20 amp. fuse is located behind right hand fabric rear end panel inside trunk.

### MINI FUSE BLOCK CIRCUITS

- ① – 3 Amp. Fuel Injector.
- ② – 3 Amp. Fuel Injector.
- ③ – 3 Amp. Fuel pump cranking circuit.
- ④ – 20 Amp. ECS battery fuse.
- ⑤ – 10 Amp. MDA ignition fuse.
- ⑥ – 10 Amp. Fuel pump fuse.
- ⑦ – 15 Amp. ECS ignition fuse.
- ⑧ – Not used.

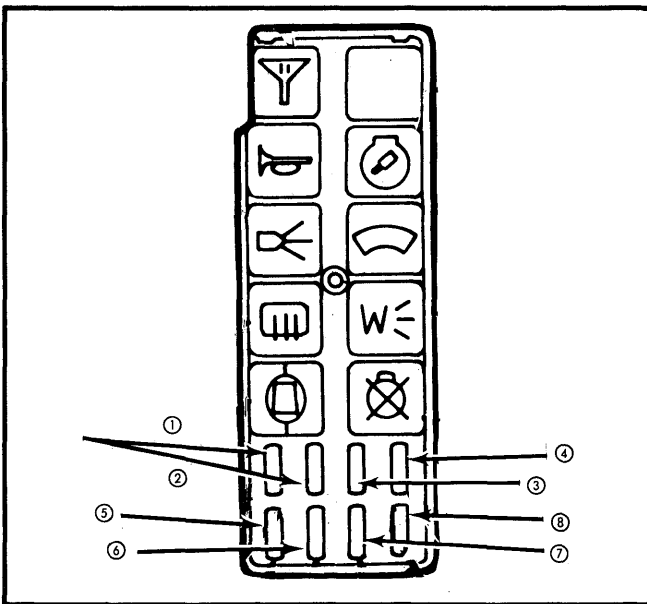


Fig. 1 Mini Fuse Block Circuits

### CADILLAC FUSE BLOCK CIRCUITS

- ① – 10 Amp. (Red) Front side marker, cornering and ash tray lights.
- ② – 3 Amp. (Violet) Cruise control and DFI brake switch.
- ③ – 20 Amp. (Yellow) Air conditioning compressor feed, ECC programmer and power module, generator indicator and rear window defogger relay coil.
- ④ – 10 Amp. (Red) Antenna motor feed.
- ⑤ – 20 Amp. (Yellow) ECC control head, stop light switch and hazard warning flasher.
- ⑥ – 25 Amp. (White) Opera, side marker rear, tail and license lights and tone generator.
- ⑦ – 20 Amp. (Yellow) Body courtesy lights, cigar lighter and electronic level control exhaust.
- ⑧ – 20 Amp. (Yellow) Coolant temperature indicator, instrument panel courtesy and compartment lights and cigar lighter.

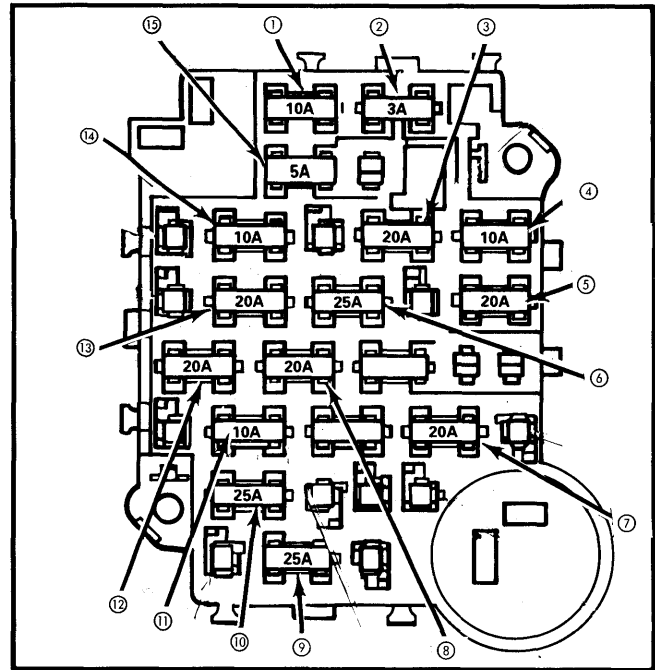


Fig. 2 Fuse Block for Cadillac

- ⑨ – 25 Amp. (White) Rear window defogger.
- ⑩ – 25 Amp. (White) Windshield wipers and low washer fluid indicator.
- ⑪ – 10 Amp. (Red) Antenna relay coil.
- ⑫ – 20 Amp. (Yellow) Fuel gauge, seat belt warning chime and indicator, coolant temperature, low brake fluid and oil pressure indicators, tone generator and electronic level control compressor.
- ⑬ – 20 Amp. (Yellow) Turn signal lights.
- ⑭ – 10 Amp. (Red) Back-up lights.
- ⑮ – 5 Amp. (Tan) Rheostat controlled instrument panel lights.

### ELDORADO & SEVILLE FUSE BLOCK CIRCUITS

- ① – 10 Amp. (Red) Front side marker and cornering lights, ash tray lights.
- ② – 3 Amp. (Violet) Cruise control and DFI brake switch.
- ③ – 20 Amp. (Yellow) Air conditioning compressor feed, ECC programmer and power module, rear defogger relay coil and generator indicator.
- ④ – 10 Amp. (Red) Antenna motor feed.
- ⑤ – 20 Amp. (Yellow) Stop light switch, hazard warning flasher and ECC control head.
- ⑥ – 25 Amp. (White) Opera, license, tail and rear side marker lights and tone generator.
- ⑦ – 20 Amp. (Yellow) Body courtesy and ash tray lights, electronic level control height sensor.
- ⑧ – 20 Amp. (Yellow) Coolant temperature indicator, instrument panel courtesy and compartment lights and cigar lighter.

## CADILLAC (Cont.)

- ⑨ — **10 Amp. (Red)** Radio and antenna relay coil.
- ⑩ — **25 Amp. (White) Eldorado Only.** Rear window defogger. **35 Amp. Circuit Breaker. Seville Only.** Rear window defogger.
- ⑪ — **25 Amp. (White)** Windshield wipers and low washer fluid indicator.
- ⑫ — **20 Amp. (Yellow)** Fuel gauge, oil pressure, coolant temperature and low brake fluid indicators, seat belt warning chime and indicator, electronic level control compressor and tone generator.
- ⑬ — **20 Amp. (Yellow)** Turn signal lights.
- ⑭ — **10 Amp. (Red)** Back-up lights.
- ⑮ — **5 Amp. (Tan)** Rheostat controlled instrument panel lights.

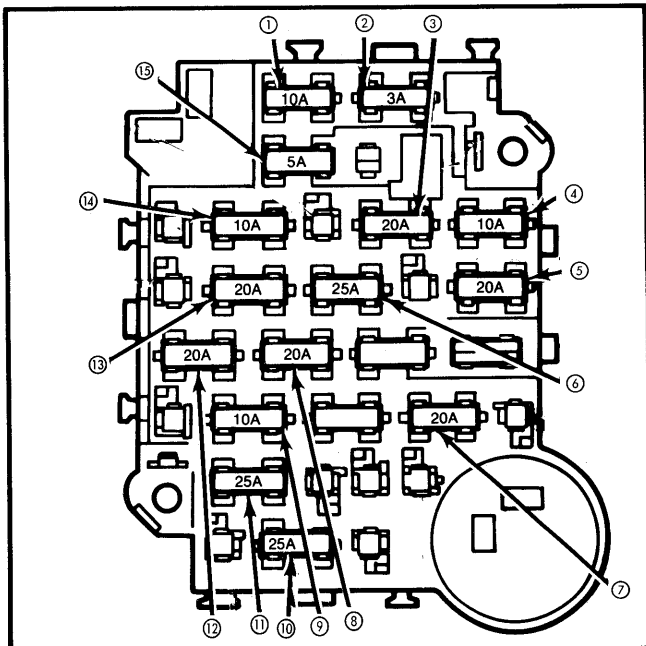


Fig. 3 Fuse Block for Eldorado &amp; Seville

## CIMARRON FUSE BLOCK CIRCUITS

- ① — **30 Amp.** Circuit Breaker. Power door locks, power seats and rear window defogger.

- ② — **10 Amp. (Red)** Radio and cruise control.
- ③ — **5 Amp. (Tan)** Instrument panel lights and lights on reminder.
- ④ — **30 Amp.** Circuit Breaker. Power windows.
- ⑤ — **20 Amp. (Yellow)** Courtesy lights, seat belt warning, clock radio, air conditioning, heater, horn, power door locks, trunk/tailgate release, rear courtesy light and rear wiper washer.
- ⑥ — **25 Amp. (White)** Windshield wiper and washer.
- ⑦ — **10 Amp. (Red)** Warning indicators, gauges, air conditioning, heater, seat belt warning, computer command control, rear window wiper/washer and defogger.
- ⑧ — **30 Amp. (Lt. Grn.)** Heater and air conditioning.
- ⑨ — **20 Amp. (Yellow)** Rear parking, marker and license lights, front parking and marker lights, digital clock and twilight sentinel.
- ⑩ — **5 Amp. (Tan)** Vacuum pump.
- ⑪ — **20 Amp. (Yellow)** Turn signals and back-up lights.
- ⑫ — **20 Amp. (Yellow)** Choke heater and cooling fan.
- ⑬ — **20 Amp. (Yellow)** Stop and hazard lights.
- ⑭ — **10 Amp. (Red)** Electronic control module.
- ⑮ — **10 Amp. (Red)** Electronic control module.

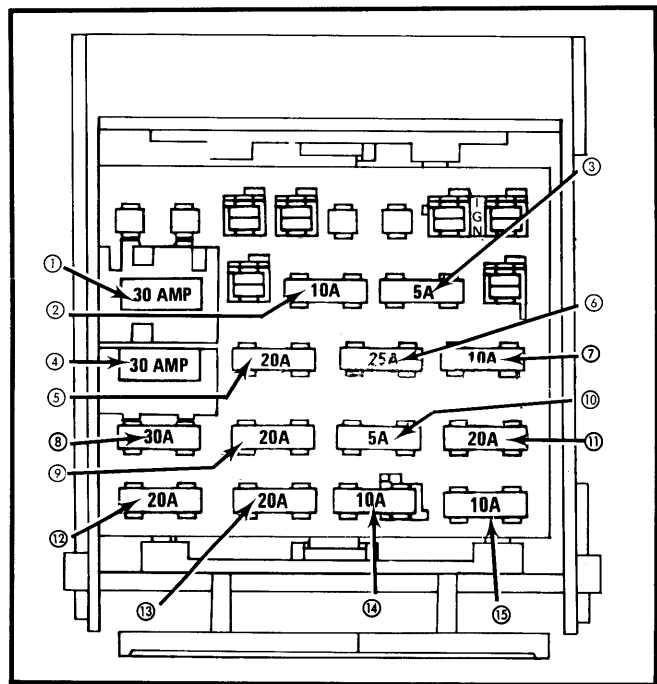


Fig. 4 Fuse Block for Cimarron

## CHEVROLET

## FUSE BLOCK

Fuse block is located under left side of instrument panel on all models except Citation and Celebrity. Fuse block on these models is located under right side of instrument panel.

## FLASHER LOCATION

**Hazard** — Located on fuse block on Caprice, Chevette, Corvette, El Camino, Impala, Malibu and Monte Carlo. Located on convenience center under right side of instrument panel on all other models.

**Turn Signal** — Flasher located on fuse block on Caprice, Corvette, El Camino, Impala, Malibu and Monte Carlo. Located above brake pedal bracket on Chevette. Located near steering

column support on Cavalier, Celebrity & Citation. Located on convenience center at right side of instrument panel on Camaro.

## CIRCUIT BREAKERS

**Headlights** — Circuit breaker is integral with headlight switch to protect headlight circuit.

**Windshield Wiper** — Circuit breaker integral with windshield wiper motor on all models except Cavalier, Chevette and Corvette.

**Power Seats, Power Windows & Power Door Locks** — Circuit breaker is located on fuse panel to protect power accessories.

## CHEVROLET (Cont.)

**Rear Window Defogger** — Circuit breaker is located on fuse panel to protect rear window circuit on all models except Chevette. Chevette circuit breaker is located on left side fender inner skirt.

### FUSIBLE LINKS

Fusible links are used on all models and are located in the engine compartment. All models use links attached to the starter solenoid to protect wiring. Some models may use a link at the generator and the underhood light wiring. Diesel models use links to protect the glow plug circuits. Models equipped with Electronic Spark Timing use a link at the EST distributor.

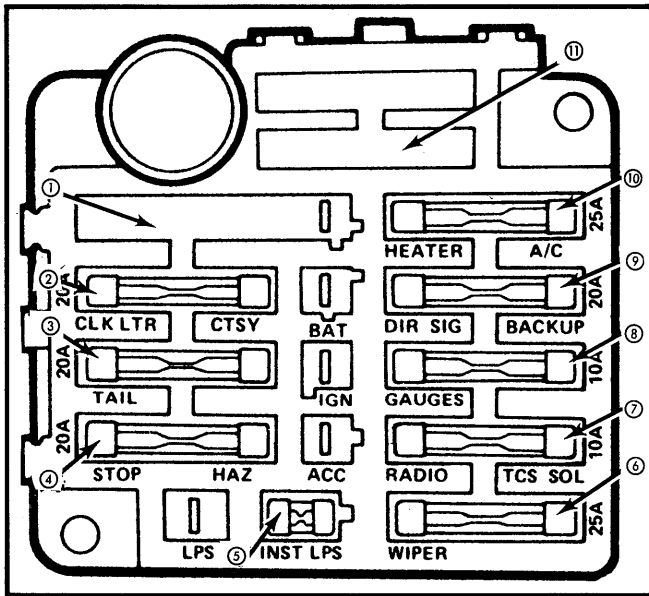


Fig. 1 Fuse Block for Chevette

### CHEVETTE FUSE BLOCK CIRCUITS

- ① — **10 Amp.** Electronic Control Module.
- ② — **20 Amp.** Clock, cigar lighter, key warning buzzer, dome and glove box lights, courtesy, reading and engine compartment lights.
- ③ — **20 Amp.** Tail, parking, side marker and license lights.
- ④ — **20 Amp.** Stop and hazard lights.
- ⑤ — **4 Amp.** Instrument panel, radio, heater and windshield wiper switch lights.
- ⑥ — **25 Amp.** Windshield wiper and washer.
- ⑦ — **10 Amp.** Radio, idle stop solenoid and pulse wipers.
- ⑧ — **10 Amp.** Gauges, warning indicators, headlight and seat belt warning buzzers.
- ⑨ — **20 Amp.** Turn signal and back-up lights.
- ⑩ — **25 Amp.** Heater and air conditioning.
- ⑪ — **25 Amp.** Choke heater.

### CAMARO, CAVALIER, CELEBRITY & CITATION FUSE BLOCK CIRCUITS

- ① — **10 Amp. (Red)** Computer command control on all except Diesel models. Electronic fuel injection on a 4 cyl. Celebrity. Glow plugs and fuel control on Diesel models.
- ② — **10 Amp. (Red) Except Camaro.** Electronic fuel injection and computer command control. **20 Amp. (Yellow) Camaro Only.** Electronic fuel injection.

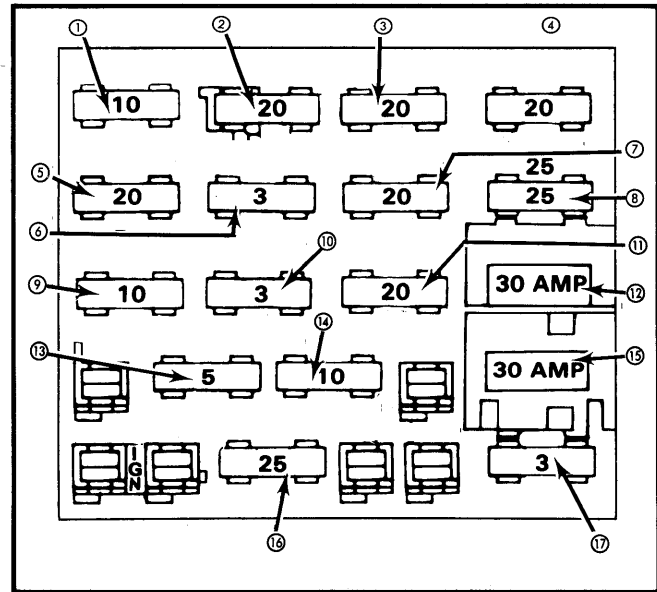


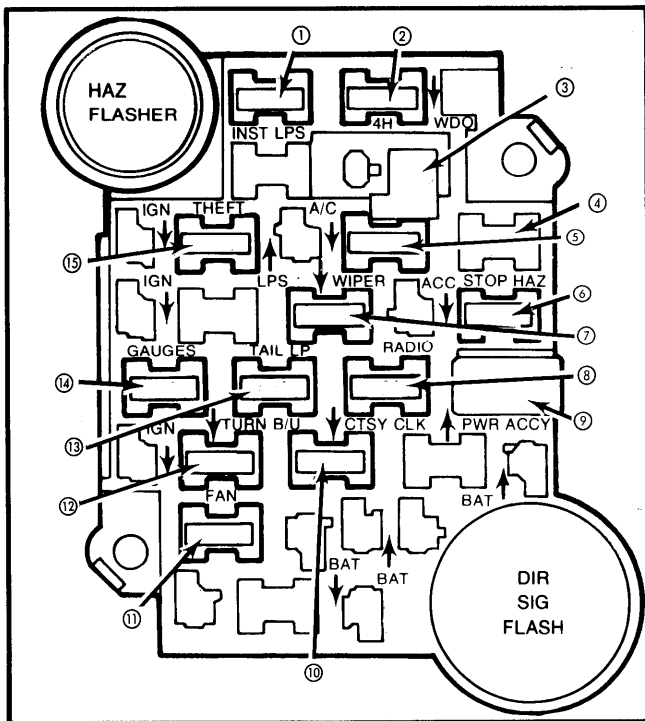
Fig. 2 Fuse Block for Camaro, Cavalier, Celebrity and Citation

- ③ — **10 Amp. (Red) Celebrity Only.** Stop and hazard lights. **20 Amp. (Yellow) All Other Models.** Stop and hazard lights. Alarm system on Camaro only.
- ④ — **20 Amp. (Yellow)** Choke heater. Cooling fan on all except Camaro. Brake warning indicator on Citation. Warning indicators on Celebrity.
- ⑤ — **15 Amp. (Lt. Blue) Celebrity and Citation Only.** Back-up and turn signal lights. Air conditioning on Citation. Shift indicator on Celebrity. **20 Amp. (Yellow) Camaro and Cavalier Only.** Turn signal and back-up lights.
- ⑥ — **10 Amp. (Red) Celebrity and Citation Only.** Electronic fuel injection. **5 Amp. (Tan) Cavalier Only.** Vacuum pump. **3 Amp. (Purple) Camaro Only.** Electronic fuel injection V8.
- ⑦ — **20 Amp. (Yellow)** Front parking, marker, rear marker and license lights on all. Rear parking and twilight sentinel on Cavalier only. Digital clock on Cavalier and Celebrity only. Tail lights on all except Cavalier. Radio on Camaro only. Stop, turn signal and hazard lights on Citation only.
- ⑧ — **25 Amp. (White) All Except Cavalier.** Heater and air conditioning. **30 Amp. (Lt. Green) Cavalier Only.** Heater and air conditioning.
- ⑨ — **10 Amp. (Red)** Warning indicators, gauges, defogger and computer command control. Rear wipers, seat belt warning, air conditioning and heater on Cavalier. Audio alarm system and electronic fuel injection on all except Cavalier. Choke heater on Camaro and Citation. Charging system on Camaro. Air conditioning and brake warning on Citation and Celebrity. Heater on Citation. Torque converter clutch and trunk release on Celebrity only.
- ⑩ — **25 Amp. (White) All Except Camaro.** Windshield wiper/washer. **3 Amp. (Purple) Camaro Only.** Electronic fuel injection V8.
- ⑪ — **20 Amp. (Yellow)** Clock, cigar lighter, interior lights, power door locks, power antenna and horns. Alarm system on Citation and Celebrity. Engine light on Celebrity. Trunk release, air conditioning, heater and seat belt warning on Cavalier. Cargo light, hatch release and power mirror on Camaro.

## CHEVROLET (Cont.)

- ⑫ - **30 Amp.** Circuit Breaker. Power windows.
- ⑬ - **5 Amp. (Tan)** Instrument panel lights on all. Alarm system on Citation, Camaro and Celebrity. Lights on reminder on Cavalier. Defogger and radio on Celebrity.
- ⑭ - **10 Amp. (Red)** Radio and cruise control.
- ⑮ - **30 Amp.** Circuit Breaker. Defogger on all. Power door locks and seats on all except Citation.
- ⑯ - **25 Amp. (White) Camaro Only.** Windshield wiper/washer.
- ⑰ - **10 Amp. (Red) Citation and Celebrity Only.** Computer command control. **3 Amp. (Purple) Camaro Only.** Electronic fuel injection. Not used on Cavalier.

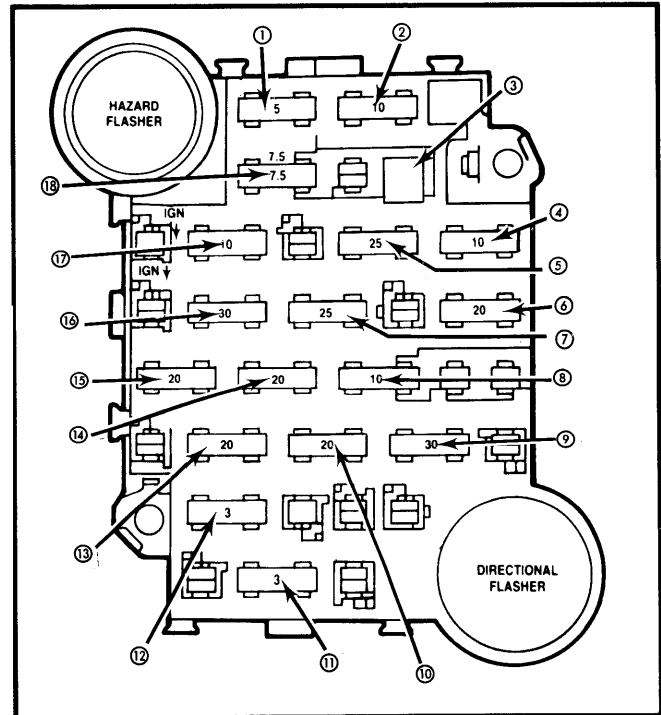
- ⑱ - **20 Amp. (Yellow)** Parking, side marker, license and tail lights.
- ⑲ - **10 Amp. (Red)** Cruise control, defogger, warning lamps and buzzers, trunk release and computer command control.
- ⑳ - Not Used.
- ㉑ - Not Used.



**Fig. 4 Fuse Block for Caprice, Caballero, El Camino, Impala, Malibu and Monte Carlo**

### CAPRICE, CABALLERO, EL CAMINO, IMPALA MALIBU & MONTE CARLO FUSE BLOCK CIRCUITS

- ① - **5 Amp. (Tan)** Instrument panel lights and lights on reminder.
- ② - **20 Amp. (Yellow)** Choke heater.
- ③ - **30 Amp.** Circuit Breaker. Power windows and sunroof.
- ④ - **10 Amp. (Red)** Electronic control module.
- ⑤ - **25 Amp. (White)** Heater and air conditioning.
- ⑥ - **20 Amp. (Yellow)** Stop and hazard lights.
- ⑦ - **25 Amp. (White)** Windshield wipers.
- ⑧ - **10 Amp. (Red)** Radio, power antenna and delay wipers.
- ⑨ - **30 Amp.** Circuit Breaker. Power door locks, seats and rear window fogger.
- ⑩ - **20 Amp. (Yellow)** Courtesy lights, key warning buzzer, power antenna, power door locks, lights on reminder, courtesy light delay and horns.
- ⑪ - **5 Amp. (Tan) Malibu Only.** Vacuum pump.
- ⑫ - **20 Amp. (Yellow)** Turn signal and back-up lights.



**Fig. 4 Fuse Block for Corvette**

### CORVETTE FUSE BLOCK CIRCUITS

- ① - **5 Amp. (Tan)** Computer command control crank input.
- ② - **10 Amp. (Red)** Fuel pump.
- ③ - **35 Amp.** Circuit Breaker. Power windows.
- ④ - **10 Amp. (Red)** Electronic control module.
- ⑤ - **25 Amp. (White)** Heater and air conditioning.
- ⑥ - **20 Amp. (Yellow)** Stop and hazard warning lights, key warning buzzer and horn relay.
- ⑦ - **25 Amp. (White)** Windshield wiper/washer.
- ⑧ - **10 Amp. (Red)** Radio, power antenna, anti-theft module and power mirrors.
- ⑨ - **30 Amp.** Circuit Breaker. Rear defogger circuit.
- ⑩ - **20 Amp. (Yellow)** Clock, cigar lighter, courtesy lights, glove box and dome light, power antenna, power door locks and air conditioning compressor.
- ⑪ - **3 Amp. (Purple)** Injector No. 1.
- ⑫ - **3 Amp. (Purple)** Injector No. 2.
- ⑬ - **20 Amp. (Yellow)** Turn signal and back-up lights.
- ⑭ - **20 Amp. (Yellow)** Parking, side marker and tail lights and underhood light.
- ⑮ - **20 Amp. (Yellow)** Gauges, warning indicators, seat belt buzzer light, air conditioning compressor and defogger circuit.
- ⑯ - **30 Amp. (Lt. Green)** Auxiliary cooling fan.
- ⑰ - **10 Amp. (Red)** Anti-theft circuit.
- ⑱ - **7.5 Amp. (Brown)** Instrument panel lights.