

Power Mirrors

FORD MOTOR CO. SIDE MIRRORS

Ford, Mercury,
Lincoln Town Car, Mark VI

DESCRIPTION

Electrically powered side mirror assemblies consist of a mirror head with an integral servo motor, and a switch for controlling mirror adjustment located on driver's door armrest. Mirror can be moved up, down, left or right by moving the switch knob in those directions.

TROUBLE SHOOTING

BOTH MIRRORS DO NOT OPERATE

- 1) Check 15 amp fuse in fuse panel. If fuse is good, remove door trim panel and check for power to switch by connecting a test light across terminals 54 and 57. See Fig. 1.
- 2) If no power is present, connect terminal 54 to ground and check for open in terminals 54 or 57. If open, trace circuit and correct problem. If power is present, connect jumper wire across terminals as shown in Fig. 1, and check continuity.
- 3) If mirrors can be operated by bypassing switch, replace switch.

ONE MIRROR DOES NOT OPERATE

Check that wiring harness is connected to motor. Using test lamp, check for continuity of circuits in harness connector by operating switch. If no continuity, check that connectors in side cowl are properly engaged. If continuity is correct, replace damaged mirror.

REMOVAL & INSTALLATION

MIRROR ASSEMBLY

- Removal** - 1) Remove inside door handle. Remove bezel from control switch. Remove switch housing from armrest and disconnect electrical connections.
- 2) Using putty knife, pry trim panel retaining clips from door inner panel and remove inner panel. Disconnect mirror wiring at connector.
- 3) Remove wiring guides, then remove 2 retaining nuts on mirror. Remove mirror by guiding wiring and connectors through hole in door.
- Installation** - To install, reverse removal procedure.

SWITCH

- Removal** - Remove inside door handle. Remove bezel from switch. Remove switch from armrest and disconnect power leads. Pry inner door panel away from door, disconnect connector and remove panel. Remove push rivets retaining switch to panel and remove switch.
- Installation** - To install, reverse removal procedure.

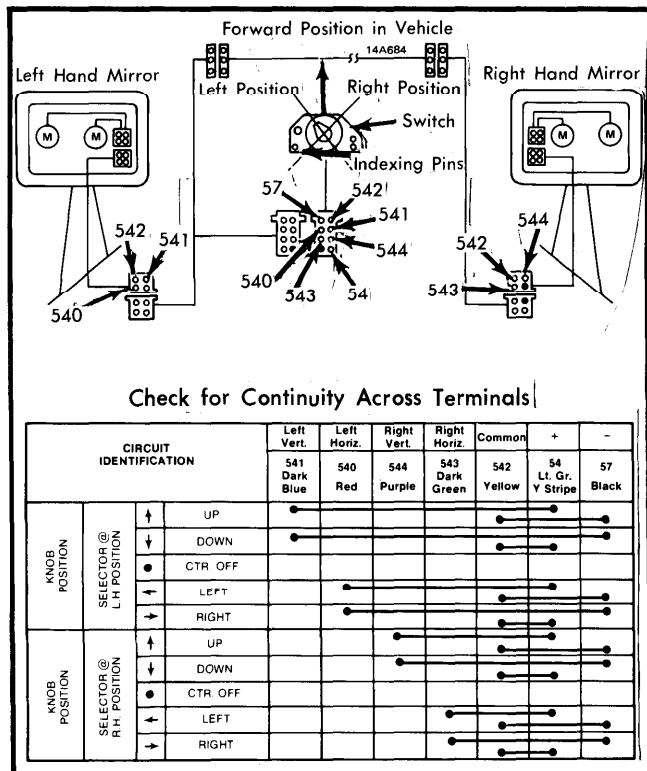


Fig. 1 Power Mirror Switch Terminal Locations and Continuity Test Chart

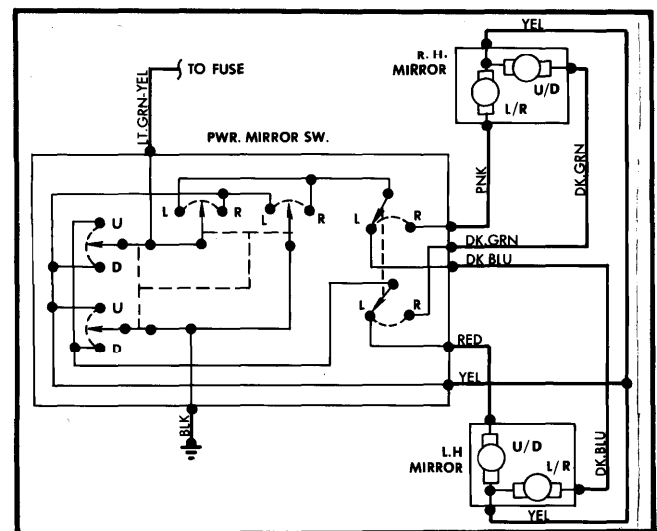


Fig. 2 Power Mirror Wiring Diagram