

## AMERICAN MOTORS SIDE MIRRORS

### DESCRIPTION

Electric remote control mirrors are controlled by a dual-control switch located on left front door. The left/right switch is used for controlling current to the desired mirror. The horizontal/vertical switch directs current to motor to move mirror as desired. An overrun feature is designed into the mirror to prevent damage to the motor when the mirror is moved by hand.

### TESTING

#### MOTOR & SWITCH

Check accessory fuse at fuse panel. Check for good ground connection at base of fuse panel. Remove door trim panel. Using test light, check for current as follows.

- **Orange Input Wire to Switch** – If no current is present, check for broken ground wire, or broken feed wire (Orange) between switch and fuse panel. If Orange wire is good, check for switch output as follows:
- **Switch Output** – Check for current at Yellow and White wires. If no current is found at either wire, replace switch. If current is found at both wires, replace mirror assembly.

**NOTE** – When checking White and Yellow wires, control switches must be activated before checking for current. Before replacing right side mirror, check for current input at motor.

### REMOVAL & INSTALLATION

#### SWITCH

Remove set screw from mirror switch. Remove door trim panel. Remove water dam paper. Disconnect wiring harness from mirror and door harness. Remove switch. To install, reverse removal procedure.

### MIRROR

- 1) Remove set screw from mirror switch escutcheon and remove escutcheon. Remove door trim panel and water dam paper. Disconnect door wiring harness from mirror harness.
- 2) Remove tape holding mirror harness to inner door panel. Remove mirror retaining screws, mirror and gasket from outer door panel. Pull mirror harness out of door and gasket.
- 3) To install, reverse removal procedure.

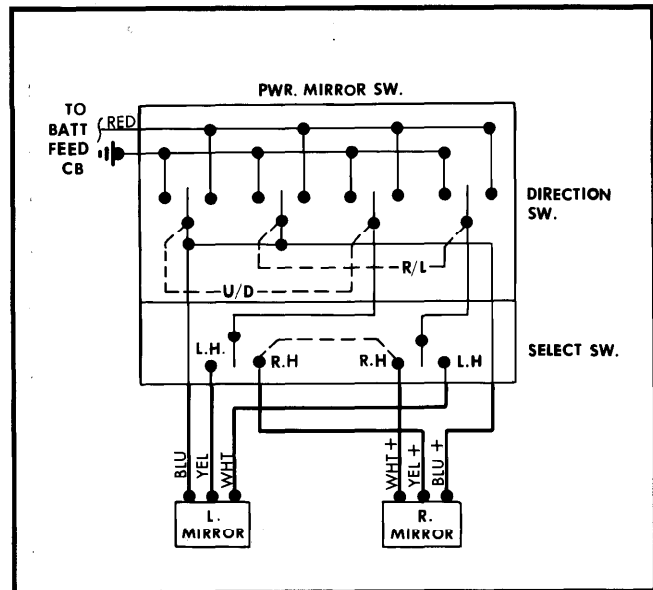


Fig. 1 AMC Electric Mirror Wiring Diagram