

# Headlights — Automatic

## GENERAL MOTORS TWILIGHT SENTINEL

Buick (Electra, LeSabre & Riviera)  
Cadillac (All Models)  
Oldsmobile (98 & Toronado)

### DESCRIPTION

System automatically controls on-off operation of headlights, tail lights and instrument panel lights in response to amount of daylight in which car is being operated. A time delay control allows lights to remain on for a preselected period after ignition is turned off. Photocell is mounted face up under left front speaker grille. Amplifier unit is mounted on lower instrument panel brace. The time delay and on-off switch is attached to light switch behind light switch knob.

### OPERATION

#### AUTOMATIC

Twilight Sentinel system will operate automatically when the ignition switch is on, the headlight switch is off and the control ring pointer is turned on (any position on the dial counterclockwise from "Off" position). The system will automatically turn lights on when daylight reduces to the point at which road illumination becomes necessary for safe driving. As daylight increases in the morning to the point at which road illumination is no longer necessary, it will turn lights off. The system is designed so lights will not go on or off when there are sudden changes in lighting such as going through tunnels, passing under bright lights, etc. This is accomplished by a 10-60 second delay before amplifier switches system either on or off.

A variable time-delay switch control permits the driver to select a delay period of from a few seconds to a maximum of 1½ to 4½ minutes for headlights to go off after ignition switch is turned off. Additional lighting may be provided (during this period) by turning on cornering lights (if equipped). All lights will turn off automatically at end of time-delay period selected by driver.

#### MANUAL

If it is desired that lights be turned on during daylight hours, two methods may be used. Photocell assembly may be covered up and lights will turn on. This also allows lights to be turned off in normal manner when ignition is turned off. Lights can also be turned on using regular light switch after turning time-delay switch to "OFF" position.

### TROUBLE SHOOTING

#### HEADLIGHTS TURN ON TOO LATE OR EARLY IN EVENING OR TURN OFF TOO EARLY OR LATE IN MORNING

Sensitivity adjustment incorrect.

#### LIGHTS WILL NOT TURN ON IN DARKNESS

Improper alignment of wiring harness connector at amplifier. Loose connection at light switch. Open wiring between fusible link and light switch. Inoperative light switch (circuit breaker). Open ground path through on-off switch of time delay control assembly. Inoperative photocell or amplifier.

#### LIGHTS WILL NOT TURN OFF IN DAYLIGHT

Amplifier sensitivity control out of adjustment. Inoperative photocell or amplifier. Missing photocell, poor contact between photocell and socket, or socket fallen out of mounting hole.

#### LIGHTS WILL NOT TURN OFF AFTER IGNITION IS OFF

Ignition line still has power with key off. Fuse blown. Inoperative time delay control. Open wiring in circuit. Inoperative amplifier.

#### LIGHTS WILL NOT STAY ON FOR 1½ - 4½ MINUTES AFTER IGNITION IS OFF

Inoperative time delay control assembly. Blown taillight fuse. Improper resistance at amplifier connector. Short in wiring circuit. Inoperative amplifier.

#### WARNING BUZZER WILL NOT OPERATE

Open wiring in buzzer circuit. Inoperative door jam switch. Bad connection at light switch. Inoperative amplifier.

### TESTING & DIAGNOSIS

**NOTE** — Be sure time-delay control is "ON", photocell is not obstructed, lighting system works properly when manually operated, headlight knob is "OFF", and all fuses are good.

#### SYSTEM CHECK

- 1) With Sentinel "OFF" check for normal operation of headlight switch. With lights in manual "ON" position, and ignition off, open a door. Warning buzzer should operate.
- 2) Turn light switch "OFF". Turn Sentinel "ON" and cover photocell. Turn ignition on and lights should come on automatically within 10 seconds.
- 3) Remove cover from photocell and shine bright light into the photocell. Light should turn off after 10 and before 60 seconds. Cover photocell and wait for light to turn on.
- 4) Turn ignition switch off. Lights should turn off after a time delay.

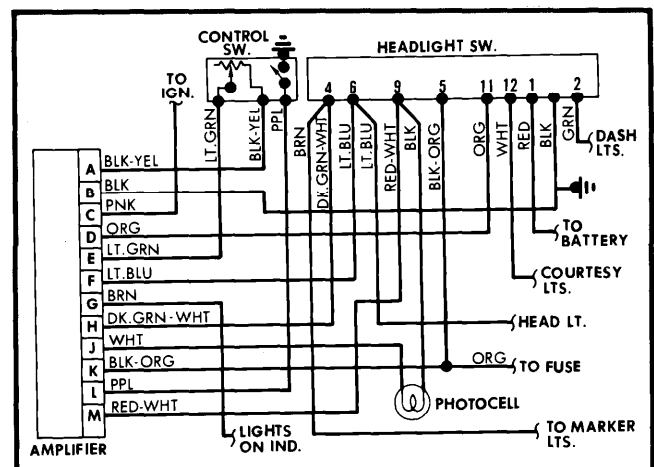


Fig. 1 Buick Twilight Sentinel Wiring Diagram (Oldsmobile Similar)

## GENERAL MOTORS TWILIGHT SENTINEL (Cont.)

5) Satisfactory performance of tests 1 through 4 indicates unit is operating properly. If unit is operating properly but turn on time is incorrect, make minor Sensitivity Adjustment.

### ADJUSTMENT

#### SENSITIVITY ADJUSTMENT

**NOTE** — If amplifier has a label affixed to it, adjust amplifier as outlined on label. If amplifier does not have a label, use following procedure for sensitivity adjustment.

If a photocell or amplifier is malfunctioning, both must be replaced as a matched set since no provision is made for adjusting a mismatched set. However, if turn-on or turn-off time is not correct, a recommended procedure to advance or retard time by fifteen minutes is used. Adjust amplifier as follows:

**Headlights On Too Late, Off Too Early** — With ignition and lights turned off, cover photocell to block out light. Check resistance between terminals "J" and "L" on amplifier connector, with time delay in any on position. Record resistance reading. Adjust control adjustment screw on amplifier until resistance reading is  $\frac{1}{2}$  of previous reading. If amplifier has been previously adjusted, set resistance to 4100-4500 ohms.

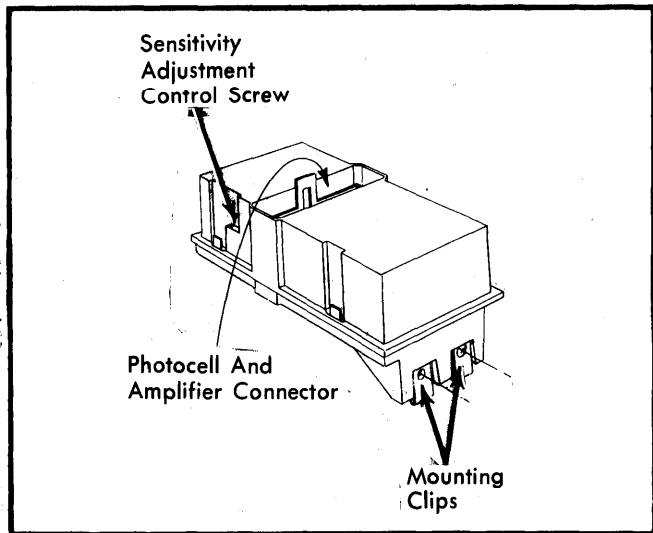


Fig. 2 Sensitivity Adjustment Control Screw

**Headlights On Too Early, Off Too Late** — Follow same procedure, except adjust control adjustment screw on amplifier until resistance reading is  $1\frac{1}{2}$  times previous reading. Again, if amplifier has been previously adjusted, set resistance to 4100-4500 ohms.

### REMOVAL & INSTALLATION

#### PHOTOCELL

**Removal** — Remove instrument panel top cover on Cadillac and Buick; left hand speaker grille on Oldsmobile models.

Remove any screws securing photocell to bracket and remove photocell.

**Installation** — To install, reverse removal procedure.

#### AMPLIFIER

**Removal (DeVille, Fleetwood, Electra, LeSabre)** — Disconnect battery ground cable. Remove 1 screw securing left side air conditioning duct. Remove 2 screws securing amplifier to lower instrument panel. Disconnect electrical connection and remove amplifier.

**Removal (Eldorado, Seville)** — 1) Disconnect battery ground cable. Loosen 4 screws securing lower instrument panel cover to base, and 2 screws under ash tray door. Remove 6 screws securing front panel cover to base. Unclip relay panel from amplifier mounting bracket.

2) Remove 2 screws securing mounting bracket to instrument panel. Remove 2 screws securing amplifier to bracket. Disconnect electrical connector and remove amplifier.

**Removal (Riviera)** — Disconnect battery ground cable. Remove glove box. Remove 2 screws securing amplifier, disconnect electrical connector and remove amplifier.

**Removal (Tornado)** — Remove right sound absorber. Remove 2 screws attaching amplifier to tie rod. Disconnect wiring and remove amplifier.

**Removal (98)** — Remove left sound absorber, if equipped. Remove lower trim panel. Remove 2 screws attaching amplifier mounting bracket to carrier cluster. Disconnect wiring and remove amplifier.

**Installation (All Models)** — To install, reverse removal procedure.

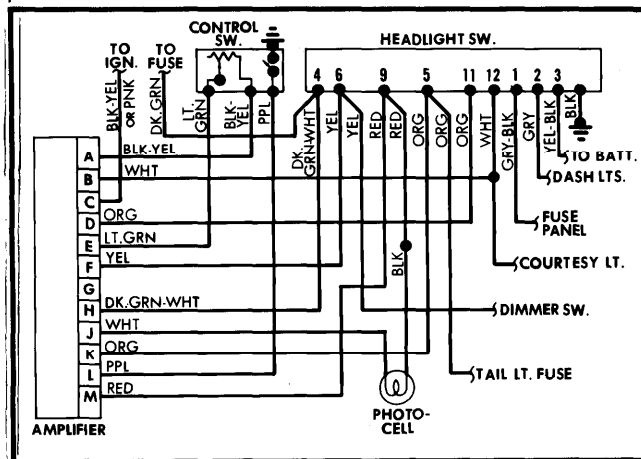


Fig. 3 Cadillac Twilight Sentinel Wiring Diagram