

OLDSMOBILE (Cont.)

- ⑦ - **30 amp.** Circuit breaker. Power door locks, power seats and rear window defogger.
- ⑧ - **20 amp. (Yellow)** Air conditioning (L4), cigar lighter, clock, computer command control, courtesy lights, horn, key warning buzzer, power antenna, power door locks, radio capacitor, deck lid light and vanity mirror light.
- ⑨ - **10 amp. (Red)** Radio, cruise control and power antenna.
- ⑩ - **25 amp. (White)** Windshield wipers and wiper/washer delay.
- ⑪ - **20 amp. (Yellow)** Turn signal and back-up lights, and idle stop solenoid.
- ⑫ - **20 amp. (Yellow)** Air conditioning (L4) charge indicator and rear window defogger.
- ⑬ - **20 amp. (Yellow)** Front parking and marker lights, rear parking, marker and license lights.
- ⑭ - **20 amp. (Yellow)** Stop and hazard warning lights.
- ⑮ - **30 amp.** Circuit breaker. Power door locks, seats and rear window defogger. Theft deterrent on 88 and 98.
- ⑯ - **10 amp. (Red)** Radio.
- ⑰ - **20 amp. (Yellow)** Courtesy lights, power door locks and radio capacitor on all models. Clock on Cutlass. Illuminated entry, theft deterrent and power mirrors on Toronado, 88 and 98 only. Tailgate ajar indicator on 88 and 98 only. Electronic level control on Toronado only.
- ⑱ - **20 amp. (Yellow)** Clock, key warning, power antenna and reminder package on all models. Cigar lighter and radio on Cutlass. Theft deterrent, courtesy lights and electronic level control on Toronado. Cigar lighter, console and glove box light, tailgate ajar indicator, shift indicator light and theft deterrent on 88 and 98.

88, 98, CUTLASS & TORONADO FUSE BLOCK CIRCUITS

- ① - **5 amp. (Tan)** Instrument panel lights.
- ② - **10 amp. (Red)** Glow plugs on diesel engines only.
- ③ - **20 amp. (Yellow)** Computer command control, rear window defogger, gauges, warning indicators, reminder package and seat belt warning on all models. Cruise control, torque converter clutch and brake warning indicator on Cutlass. Clock, theft deterrent and illuminated entry on Toronado. Clock, cruise control, glow plugs, illuminated entry, theft deterrent, torque converter clutch and deck lid release on 88 and 98.
- ④ - **20 amp. (Yellow)** Front parking and marker lights, rear parking and marker lights, license light, engine compartment light and reminder package on all models. Glove box, stop and turn signal lights on Cutlass. Cornering and opera lights, radio, headlights, theft deterrent and twilight sentinel on Toronado. Cornering lights, radio, theft deterrent and twilight sentinel on 88 and 98.
- ⑤ - **20 amp. (Yellow)** Back-up and turn signal lights.
- ⑥ - **5 amp. (Tan)** Cruise control on Toronado only.
- ⑦ - **20 amp. (Yellow)** Choke heater (V6 gasoline only).
- ⑧ - **30 amp.** Circuit breaker. Power sun roof, power windows and power tailgate on wagons only.
- ⑨ - **25 amp. (White)** Air conditioning. Trunk and tailgate release on Cutlass and Toronado. Heater on Cutlass, 88 and 98. Electronic level control on 88 and 98.
- ⑩ - **25 amp. (White)** Windshield wiper/washer and intermittent wiper/washer.

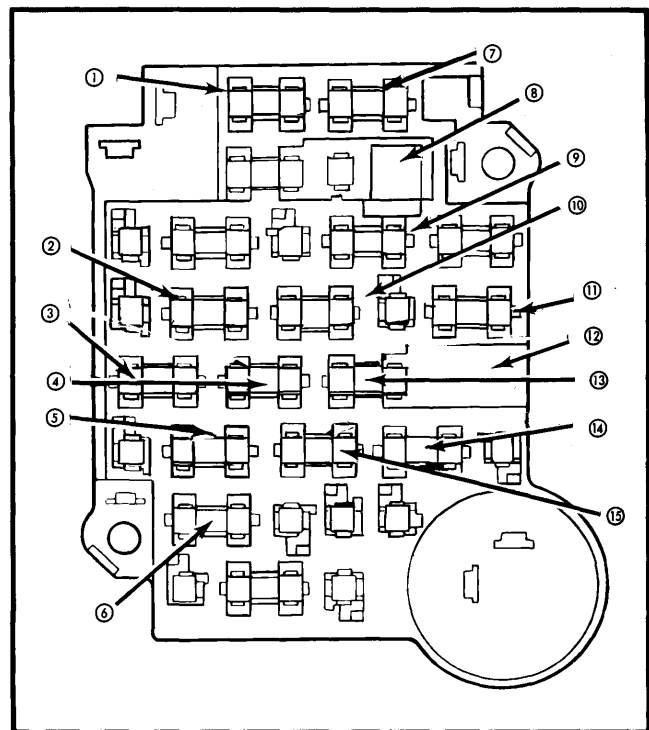


Fig. 2 Fuse Block for 88, 98, Cutlass & Toronado

PONTIAC

FUSE BLOCK

Fuse block is located under left side of instrument panel near parking brake on all models except Phoenix. Phoenix fuse block is located under right side of instrument panel.

FLASHER LOCATION

Hazard - Located on fuse block on all models.

Turn Signal - Located on fuse block on all models except Phoenix. Phoenix flasher is located at base of steering column on left side.

CIRCUIT BREAKERS

Headlights - Circuit breaker is located in headlight switch on all models to protect headlight wiring.

Windshield Wipers - Circuit breaker protects the windshield wiper motor on all models except Firebird.

FUSIBLE LINKS

Located in engine compartment protecting the air conditioning blower motor on Phoenix, and automatic level control on Catalina and Bonneville.

PHOENIX FUSE BLOCK CIRCUITS

- ① - **5 amp. (Tan)** Instrument panel lights and lights on reminder.
- ② - **20 amp. (Yellow)** Choke heater and cooling fan.
- ③ - **30 amp.** Circuit breaker. Power windows.
- ④ - **25 amp. (White)** Air conditioning compressor and blower and heater.

PONTIAC (Cont.)

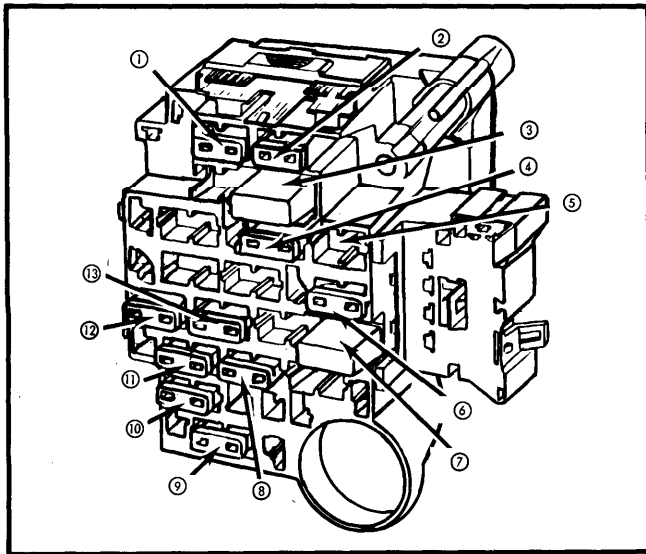


Fig. 1 Fuse Block for Phoenix

- ⑤ - 10 amp. (Red) Electronic Control Module.
- ⑥ - 20 amp. (Yellow) Key warning buzzer, front parking and marker lights, turn signal and hazard warning lights.
- ⑦ - 30 amp. Circuit breaker. Power seats and door locks and rear window defogger.
- ⑧ - 20 amp. (Yellow) Air conditioning (L4), cigar lighter, clock, computer command control, courtesy lights, horn, key warning buzzer, power antenna, power door locks, radio capacitor, trunk light and trunk release.
- ⑨ - 10 amp. (Red) Cruise control, radio and power antenna.
- ⑩ - 25 amp. (White) Windshield wiper/washer and wiper/washer delay.
- ⑪ - 20 amp. (Yellow) Turn signal and back-up lights and idle stop solenoid.
- ⑫ - 20 amp. (Yellow) Air conditioning (L4), brake warning indicator, charge indicator, choke heater, computer command control (L4 A/C), rear window defogger, gauges, warning indicators and seat belt warning buzzer.
- ⑬ - 20 amp. (Yellow) Front parking and marker lights, rear marker, tail and license lights.

FIREBIRD FUSE BLOCK CIRCUITS

- ① - 5 amp. (Tan) Instrument panel, ash tray, clock, radio dial, cigar lighter and heater or A/C control lights. Windshield wiper switch, headlight switch and automatic transmission shift indicator lights.
- ② - 20 amp. (Yellow) Electric choke.
- ③ - Not used.
- ④ - 30 amp. Circuit breaker. Power windows.
- ⑤ - Not used.
- ⑥ - Not used.
- ⑦ - 25 amp. (White) Heater and air conditioning blower motor.
- ⑧ - Not used.
- ⑨ - 10 amp. (Red) Tachometer, fuel and temperature gauge, voltmeter, transmission converter clutch, rear defogger timer relay, brake warning indicator, choke indicator and computer command control.
- ⑩ - 25 amp. (White) Windshield wiper/washer and pulse wiper.

- ⑪ - Not Used.
- ⑫ - 20 amp. (Yellow) Stop and hazard lights and key warning buzzer.
- ⑬ - 10 amp. (Red) Seat belt buzzer and timer, rear window defogger timer.
- ⑭ - 20 amp. (Yellow) Tail, parking, side marker and license lights.
- ⑮ - 10 amp. (Red) Radio, tape player, CB radio, power antenna and cruise control.
- ⑯ - 30 amp. Circuit breaker. Rear window defogger feed and power door locks.
- ⑰ - 20 amp. (Yellow) Back-up and turn signal lights.
- ⑱ - 20 amp. (Yellow) Clock, power antenna, digital radio and computer command control.
- ⑲ - 20 amp. (Yellow) Vanity, dome, glove box and deck lid lights, deck lid release and cigar lighter.
- ⑳ - Power accessory feed for door locks and defogger.
- ㉑ - Not Used.
- ㉒ - Power connection for power antenna.
- ㉓ - Power connection for radio capacitor
- ㉔ - Test circuit for transmission clutch converter solenoid and vacuum switch.
- ㉕ - Not Used.

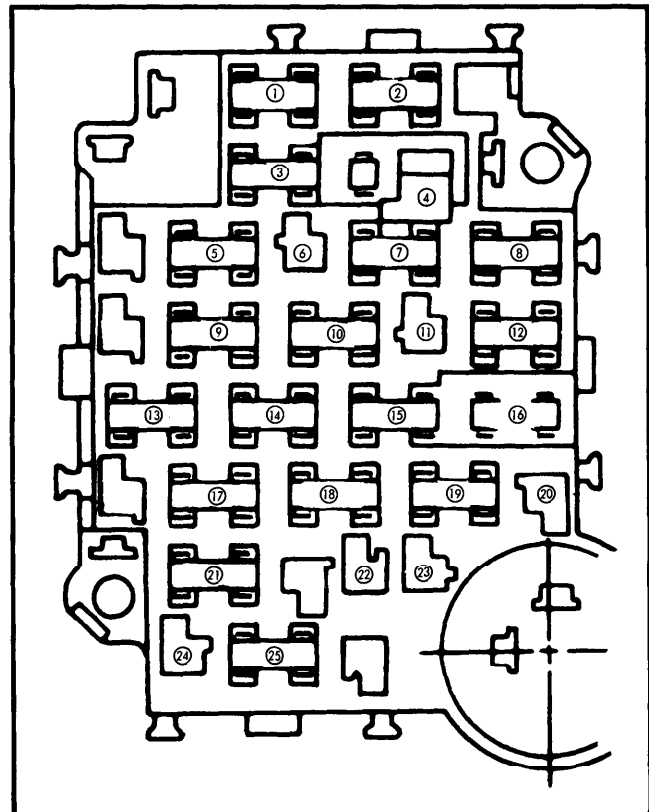


Fig. 2 Fuse Block for Firebird, Le Mans, Grand Prix, Catalina & Bonneville

BONNEVILLE, CATALINA, GRAND PRIX & LE MANS FUSE BLOCK CIRCUITS

- ① - 5 amp. (Tan) Instrument illumination, ash tray light, clock light, shift indicator light, radio light, heater or A/C control light, cigar lighter light, windshield wiper and headlight switch light. Tachometer on all but Catalina and Bonneville. Fuel economy vacuum gauge light on Catalina and Bonneville only.

1981 Fuses & Circuit Breakers

PONTIAC (Cont.)

- ② - **20 amp. (Yellow)** Electric choke and oil pressure switch.
- ③ - Not Used.
- ④ - **30 amp.** Circuit breaker. Power vent windows, power sun roof and power tailgate window.
- ⑤ - **10 amp. (Red)** Diesel engines only. Coolant switch, fast idle relay and fast warm-up controller.
- ⑥ - Connection for heated rear window timer and warning chimes.
- ⑦ - **25 amp. (White)** Heater and air conditioning blower motor.
- ⑧ - Not Used.
- ⑨ - **10 amp. (Red)** Fuel and temperature gauge, voltmeter, transmission converter clutch, check engine and brake warning indicators and computer command control. Tachometer and oil pressure gauge on Le Mans and Grand Prix. Diesel wait lamp and water in fuel lamp on Grand Prix, Catalina and Bonneville. Choke indicator on Catalina and Bonneville.
- ⑩ - **25 amp. (White)** Windshield wiper/washer and pulse wiper.
- ⑪ - Power connection for cruise control.
- ⑫ - **20 amp. (Yellow)** Stop and hazard lights and key warning buzzer.
- ⑬ - **10 amp. (Red)** Seat belt buzzer and timer and rear window defogger timer. Radio capacitor on V6 Catalina and Bonneville.
- ⑭ - **20 amp. (Yellow)** Tail, parking, side marker and license lights, digital clock radio feed. Cornering lights on Grand Prix, Catalina and Bonneville. Cigar lighter light, digital clock light, shift indicator light and ash tray light on Grand Prix and Le Mans.
- ⑮ - **10 amp. (Red)** Radio, CB radio, tape player, power antenna and cruise control.
- ⑯ - **30 amp.** Circuit breaker. Power door locks and power seats. Rear window defogger feed and tailgate unlock on Catalina and Bonneville.
- ⑰ - **20 amp. (Yellow)** Back-up and turn signal lights.
- ⑱ - **20 amp. (Yellow)** Clock power, courtesy lights, power antenna, horns, digital clock radio and computer command control. Glove box light on Le Mans and Grand Prix.
- ⑲ - **20 amp. (Yellow)** Dome, vanity, trunk and glove box light, cigar lighter and trunk release. Door courtesy and warning lights on Grand Prix, Catalina and Bonneville. Tailgate ajar warning light on Catalina and Bonneville.
- ⑳ - Power accessory connection for power seats and door locks. Rear window defogger feed and tailgate unlock on Catalina and Bonneville.
- ㉑ - Not Used.
- ㉒ - Power connection for power antenna.
- ㉓ - Power connection for radio capacitor.
- ㉔ - Test circuit for transmission converter clutch solenoid and vacuum switch. Test circuit for transmission converter clutch brake switch, and vacuum reducer valve on diesel engine Catalina and Bonneville.
- ㉕ - Not Used.