

CHRYSLER CORP. LIFTGATE

DESCRIPTION & OPERATION

The rear window/liftgate wiper system includes a circuit breaker, wiring harness, control switch, washer motor, and single speed wiper motor. The wiper motor automatically parks the wiper blade at the bottom of the glass when the control switch is turned "OFF".

TESTING

Omni and Horizon – 1) Remove plastic cover and feed connector. With key and wiper switch in "ON" position, check for battery voltage at blue and brown wires.

2) Turn wiper switch "OFF". Voltage should still be present at blue wire. If not, check circuit breaker, switch and wiring to motor.

3) If battery voltage is present, connect a jumper between blue wire and motor terminal without wire. If motor operates, replace switch plate. If motor does not operate, replace motor. If motor operates, but shaft does not turn, remove gear cover and check drive gear and link.

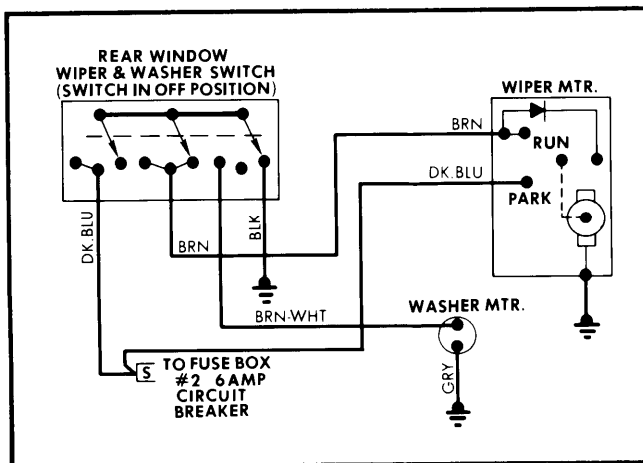


Fig. 1 Liftgate Wiper Wiring Diagram
Omni and Horizon

All Other Models – 1) Remove liftgate trim panel. Check linkage and mounting for mechanical problems. Disconnect feed connector at wiper motor.

2) With key in "ON" position and wiper switch "OFF", voltage should be present at brown wire. With both key and switch "ON", power should be present at blue wire. If not, check circuit breaker, switch, and wiring.

3) If voltage is present but motor does not operate, remove motor and linkage. Remove motor from linkage, taking care not to bend link. Apply 12 volts to blue wire, and connect bracket to ground. If motor operates, fix linkage problems. If motor does not operate, replace it.

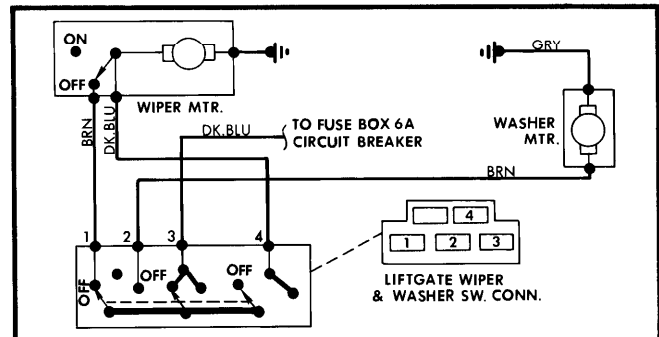


Fig. 2 Liftgate Wiper Wiring Diagram
All Except Omni and Horizon

REMOVAL & INSTALLATION

MOTOR AND LINKAGE

Omni and Horizon – Pull arm assembly off shaft without prying. If necessary, use suitable tool (C-3982). Remove plastic cover over wiper motor. Remove pivot shaft nut, ring, and seal. Disconnect wiring, remove screws holding motor and remove motor.

Installation – To install, reverse removal procedure.

All Except Omni and Horizon – 1) Remove arm from shaft without prying. If necessary, use suitable tool (C-3982). Remove liftgate trim panel and disconnect feed wires. Remove 4 screws and remove linkage and motor from liftgate.

2) Separate motor crank arm from linkage, using care to avoid bending link. Remove 4 mounting screws and separate motor from linkage.

Installation – 1) Position motor and crankarm on bracket. Line up link and crank arm and snap crank arm pivot into link. Install 4 mounting screws.

2) Test by applying 12 volts to blue wire and ground to motor bracket. Motor should operate. Apply 12 volts to brown wire. Motor should stop with link and crank arm almost aligned.

3) Reverse remainder of removal procedure to complete installation.

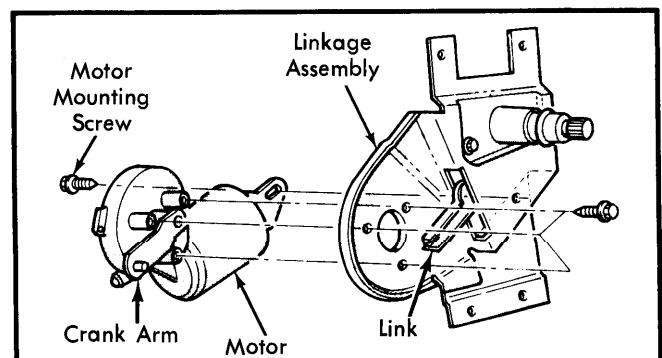


Fig. 3 Liftgate Wiper and Linkage Assembly
Aspen, Volare, LeBaron and Diplomat