

GENERAL MOTORS ELECTRONIC CRUISE CONTROL - CADILLAC

Cadillac
All Models

DESCRIPTION

The Electronic Cruise Control System uses electrical sensors and components to regulate the vacuum operated servo, which in turn controls the carburetor throttle linkage. The system includes the following: an instrument panel control switch; an engagement switch in end of turn signal lever; a speed sensor on the speedometer; two brake release switches (one vacuum and one electrical) on brake pedal bracket; an electronic control module on back of instrument panel; a relay under the instrument panel; a vacuum servo (power unit) near carburetor; a vacuum control valve on servo; a solenoid valve on servo; a throttle control bead chain (Eldorado and Seville), or a throttle control cable (all other models); and, various vacuum hoses and electrical wiring harnesses.

OPERATION

Control Switches — The instrument panel switch must be in the "ON" position for system to operate. An amber light will come on, and the engagement switch on the turn signal lever will cause the vehicle to cruise at a constant speed over 30 mph. A green indicator on the dash will illuminate when vehicle is controlled by cruise system. Applying the brakes disengages the system electrically and releases system vacuum, returning the throttle to idle and manual operation.

Speed Sensor — A photoelectric sensor on the back of the speedometer provides speed signals to the control module. Signals from the control module operate the servo solenoid, and control vacuum to regulate throttle position.

TESTING

ROAD TEST

- 1) With instrument panel control switch in "OFF" position, drive car at 50 MPH. Depress and release engagement button at end of turn signal lever. System should remain inoperative.
- 2) Place dash switch in the "ON" position. Amber indicator light should come on. Push engagement switch button to center (detent) position and release when vehicle speed is 50 MPH. Green light should come on (on dash switch) and vehicle should maintain 50 MPH with foot off accelerator. Note the amount of cruising speed, if any, above or below the 50 MPH "lock-in" speed. **NOTE** — The "Lock-In" speed can be adjusted as outlined in this story.
- 3) Move slide switch in direction of arrow and hold. Vehicle should slowly accelerate. Release switch at 55 mph; speed should remain steady at 55.
- 4) Depress brake pedal about 1/2". Green light should go off. If so, electric brake switch is okay. Vehicle speed should decrease. Allow vehicle to slow to about 45 MPH.

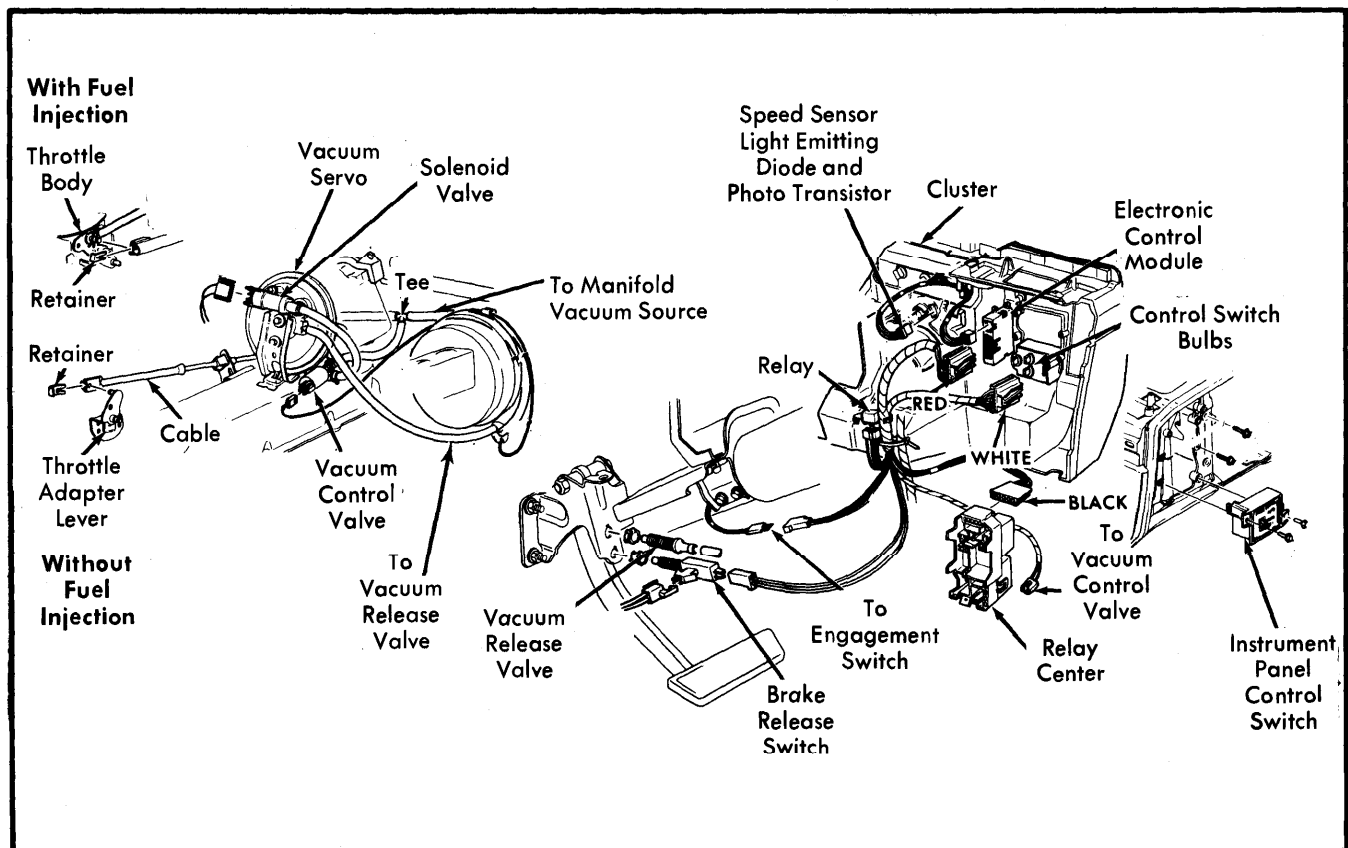


Fig. 1 Electronic Cruise Control Component Location and Identification (Cadillac Shown, Seville and Eldorado Similar)

GENERAL MOTORS ELECTRONIC CRUISE CONTROL - CADILLAC (Cont.)

TROUBLE SHOOTING & DIAGNOSIS

CONDITION	CAUSE	CORRECTION
Servo diaphragm extends to maximum allowable open throttle position A. Position of dash switch has no effect. Vehicle returns to idle with brake application, may duplicate when pedal is released B. Condition occurs only when dash switch is in auto position. Condition will cancel when panel switch is turned off.	Servo solenoid valve leaking vacuum	Replace valve
	Manifold vacuum connected directly to power unit vacuum vent port.	Reroute vacuum hose
	Unrequested voltage on solenoid feed.	Defective control module. Replace
Erratic engagement and/or unwanted program acceleration.	Severed engage switch harness in column.	Replace harness.
	Open circuit in yellow wire connector.	Repair wire connector.
Will not cruise at engaged speed.	Leak in servo diaphragm	Replace servo and inspect vacuum system
	Leak in vacuum release valve or hose.	Replace or repair hose or valve.
	Throttle actuating cable or bead chain slack, excessive or sticky.	Free throttle linkage and remove slack from cable or chain.
	Kinked or damaged speedometer cable	Replace speedometer cable.
	Servo solenoid valve variable orifice misadjusted.	Readjust.
System will not disengage with brake pedal	Brake release switch inoperative or misadjusted.	Replace or adjust brake switch as required.
Cannot engage or adjust cruise speed downward with engage switch.	Inoperative engage switch.	Replace or repair engage switch
System can be engaged below 20 MPH	Defective control module or speed sensor.	Replace module or speed sensor.
Hissing noise when brake pedal disengages system	Vacuum release valve or release switch misadjusted	Readjust or replace valves
Amber ON [®] light will not turn on even though system cruises satisfactorily.	Inoperative bulb.	Replace bulb.
	Open printed circuit on dash switch.	Replace printed circuit and/or switch.
"CRUISE" or "AUTO" light will not turn on even though system cruises satisfactorily	Inoperative bulb.	Replace bulb.
	Open printed circuit on dash switch.	Replace printed circuit and/or switch
	Defective control module.	Replace control module.
Cruise speed drops when heavy electrical loads are turned on such as headlights, air conditioning, etc.	Battery voltage in vehicle too low	Correct battery problem.

GENERAL MOTORS ELECTRONIC CRUISE CONTROL - CADILLAC (Cont.)

5) Move slide switch in direction of arrow and release. Vehicle should automatically accelerate to 55 MPH and green light should come on.

6) Push and hold button all the way in. Green light should go off and vehicle should slow down. Release button to engage system at 50 MPH. Green light should come on and vehicle should maintain the 50 MPH speed.

ELECTRIC BRAKE RELEASE SWITCH

1) Turn ignition "ON" and instrument panel switch to "ON". Connect one lead of test light or voltmeter to ground.

2) Probe Blue wires at connector. Lamp should light or meter should read 12 volts indicating feed from dash switch.

3) Probe Pink/Black wire at connector. Lamp should light or meter should read 12 volts indicating switch continuity.

4) Check switch adjustment with probe at Pink/Black lead while depressing brake pedal $\frac{1}{8}$ " to $\frac{1}{2}$ ". Light should turn off or meter drop to zero. If not, replace or adjust switch.

INSTRUMENT PANEL SWITCH & HARNESS

1) Turn ignition "ON". Disconnect 3-wire connector from turn signal switch to the cruise control harness. Connect one lead of a voltmeter or test light to ground.

2) With the other voltmeter or test lamp lead, probe the three terminals. With cruise panel switch "OFF", no indicators should light. With panel switch "ON", the amber light should come on.

ENGAGEMENT SWITCH & HARNESS

On or Off Vehicle Tests — Disconnect switch from harness and make the following checks using an ohmmeter. If indications are bad, replace switch.

ON OR OFF CAR ENGAGEMENT SWITCH TESTS Indications Between Terminal No. (Wire Color)			
Switch Position	1 to 2 (Yel. to Grn.)	1 to 3 (Yel. to Red)	2 to 3 (Grn. to Red)
Released	Closed	Closed	Closed
Partially Depressed	Open	Open	Closed
Fully Depressed	Closed	Open	Open

NOTE — Connect ohmmeter to steering column bracket, then check each terminal. All should show open circuits. If continuity is indicated, a short exists. Replace lever and harness.

VACUUM CONTROL AND SERVO SOLENOID VALVES

Resistance Test (Engine Off) — 1) Disconnect harness at valve to be tested. Connect ohmmeter to terminals on valve.

2) Resistance should be between 37 to 48 ohms on servo solenoid valve, or between 23.5 and 27.5 ohms on vacuum control valve. Replace valve if resistance is not within specification.

Functional Test (Engine Running) — 1) Before starting engine, disconnect bead chain or cable from servo and disconnect harness connectors at both valves. Start engine and run at idle speed.

2) Ground one terminal of vacuum control valve. Connect a jumper wire to battery positive post. Touch battery jumper to ungrounded terminal. Servo diaphragm should not move. If it does, servo solenoid valve is leaking and must be replaced.

3) Remove jumper wires from control valve and test servo solenoid valve in same way as above. If servo diaphragm moves, control valve is leaking and must be replaced.

CONTROL MODULE CURRENT LEAK

Test At Servo Solenoid Valve Connector (Engine Running) — 1) Disconnect harness at solenoid valve and, using a D.C. voltmeter check voltage between connector terminals.

2) With engine idling, voltage should be less than 1.0 volts D.C. Increase idle speed for several seconds. Reading should still be less than 1.0 volts D.C. Any indication above 1.0 volts D.C. means control unit should be replaced.

CONTROL MODULE

Do not attempt to repair control module. Ensure connectors are tight and fully seated. If all other components of system test out okay, replace control module.

INSTRUMENT PANEL SWITCH INDICATOR LIGHTS

Amber "ON" Light — 1) Turn ignition "ON" and place dash switch in "ON" position. Amber light should come on. If not, check for burned out bulb, open circuit in ground wire, or for inoperative switch or bad printed circuit.

2) If amber light did not come on in both positions, check for burned out bulb, open circuit in ground wire or connector, or for an inoperative switch or printed circuit.

3) Place dash switch in "OFF" position. If amber light comes on, check for shorted leads, inoperative switch or blown fuse.

Green "CRUISE" Light — 1) If system properly controls the car's speed, but the green indicator light does not work correctly, check for burned out bulb or an open circuit in Pink wire between switch connector and control module connector.

2) If green indicator light remains on when system is not controlling the car's speed, check for the following: a short circuit in harness between switch and relay, a malfunctioning relay, or a short in Pink wire between relay and control module connector. If above checks are okay, replace control module.

GENERAL MOTORS ELECTRONIC CRUISE CONTROL - CADILLAC (Cont.)

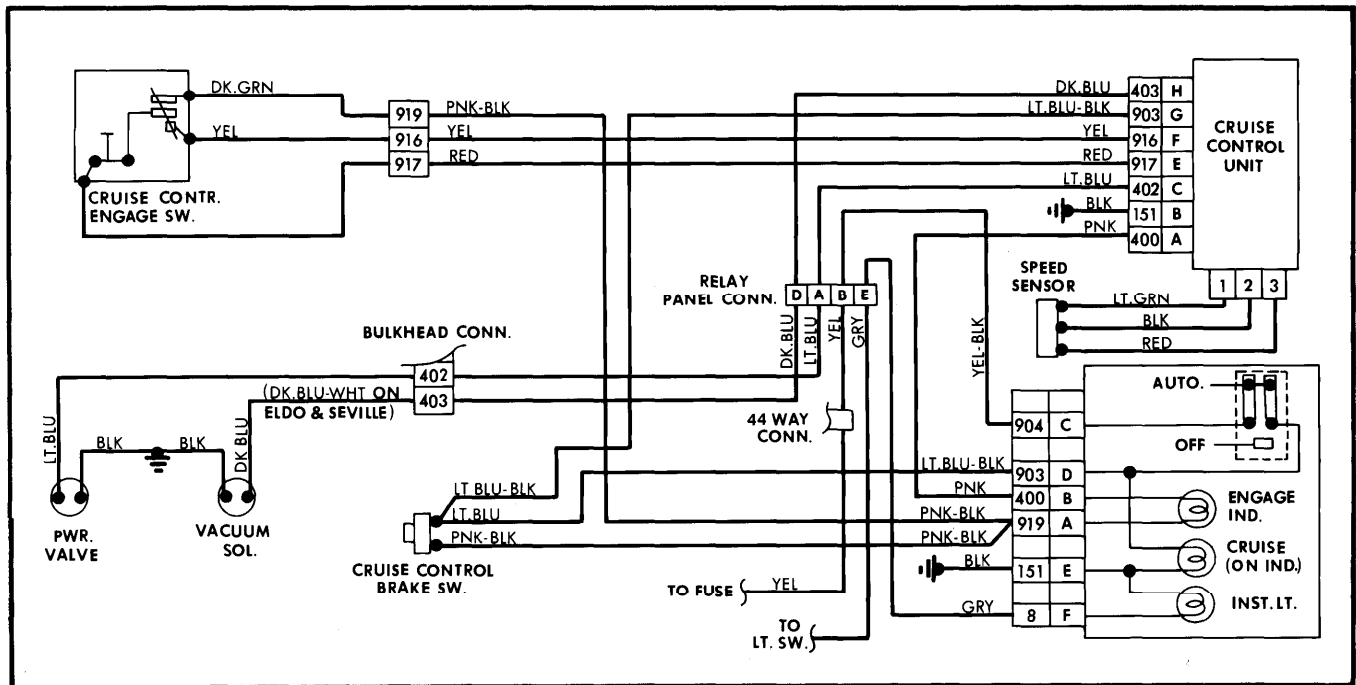


Fig. 2 Wiring Diagram of General Motors (Cadillac) Electronic Cruise Control System

SPEED SENSOR TESTS

On Vehicle with Engine Off — 1) Partially remove speedometer cluster so access to speed sensor is possible. For cluster removal, see appropriate story in *SWITCHES, GAUGES & SPEEDOMETERS* in this section.

2) Turn ignition and dash control switch "ON". Connect voltmeter between ground and terminal 2 (Black) on speed sensor 3-wire connector. Voltage should be between 9 and 11 volts. If higher or lower, replace control module.

3) Connect voltmeter between ground and terminal 3 (Red) on sensor connector. Voltage should be one to two volts less than at terminal 2. This is the voltage drop through L.E.D.

4) Connect voltmeter between ground and terminal 1 (Green) of sensor connector. Roll car forward (approximately six feet) while checking voltage. Two voltage peaks should occur in the distance the car travels. This is the photo transistor output.

5) If voltages in these two tests do not meet specifications, replace the speed sensor.

VACUUM SYSTEM INSPECTION (VACUUM CIRCUIT FUNCTIONAL TEST)

1) Before starting engine, disconnect bead chain or cable from servo. Disconnect electrical leads at vacuum control and solenoid valves.

2) Actuate vacuum control and solenoid valves by connecting jumper to one terminal of each valve to ground, and a jumper wire from the other terminals to battery.

3) Start and run engine at idle. With brake pedal released, servo diaphragm should pull in to full stroke. Depress brake

pedal about 1½" and servo diaphragm should relax to the free position, indicating that vacuum brake release valve and hose are okay.

4) If system will not hold vacuum, remove brake release valve vent hose from servo and plug servo vacuum fitting (manifold vacuum should be open).

5) If servo diaphragm draws in, problem is in brake release vacuum vent system. If servo will not draw in, inspect servo diaphragm and vacuum connectors at all vacuum valves.

VACUUM CONTROL VALVE ELECTRICAL CIRCUIT FUNCTIONAL TEST

1) Before starting engine, disconnect bead chain or cable at servo, and disconnect vacuum hose between control valve and solenoid valve at servo. Connect jumper wire between ground and cavity "A" on rear of large control module wiring connector. Start and run engine at idle.

2) Amber "ON" light on dash switch should be on. Perform tests on system as shown in Vacuum Control Valve Circuit Functional Tests chart.

3) If all conditions indicated in Vacuum Control Valve Circuit Functional Test chart are okay, but system still does not operate properly, test each component separately.

ADJUSTMENTS

ELECTRIC BRAKE RELEASE SWITCH AND VACUUM BRAKE RELEASE VALVE

Push switch or valve all the way into the retaining clip. Pull brake pedal up to the stop to automatically adjust the switch or valve. Be sure free play exists between pedal and switch bodies when pedal is pulled away from released position and before hitting brakes-applied position.

Speed Control Systems — Automatic 5-69

GENERAL MOTORS ELECTRONIC CRUISE CONTROL - CADILLAC (Cont.)

bodies when pedal is pulled away from released position and before hitting brakes applied position.

ENGAGEMENT SWITCH

Switch can not be adjusted. Replace switch if found defective.

"LOCK-IN" ERROR CORRECTION

Locate screw on solenoid valve. Turn screw toward "S" to reduce the lock-in speed. Turn screw toward "F" to increase lock-in speed.

VACUUM CONTROL VALVE CIRCUIT FUNCTIONAL TESTS

DASH SWITCH "ON"

Check Should Indicate	Possible Cause or Malfunction	Correction
Green engage light should turn on	Dash switch, harness, relay or bulb	Replace as required.
Control harness relay should energize.	Open in coil relay, or disconnect or open circuit in harness.	Replace or repair as required.
Vacuum control valve should open and there should be vacuum at disconnected hose.	Defective control valve.	Replace as required.
	Obstruction or leak in vacuum supply to valve.	Repair as required.
	Disconnect or open in harness to valve.	Repair as required.

REMOVE JUMPER WIRE

Check Should Indicate	Possible Cause or Malfunction	Correction
Control valve should close, no vacuum at disconnected hose.	More than 1.0 volts at control module pin "H"	Replace control module
	Control valve stuck or leaking	Replace valve