

Power Seats

FORD MOTOR CO. 4-WAY

Thunderbird, Cougar XR-7
 Fairmont, Zephyr
 Granada, Monarch
 Versailles

DESCRIPTION & OPERATION

The 4-way power seat provides horizontal movement as well as vertical movement of the front edge of the seat. A dual motor drives the seat, using 2 gear boxes and flexible drive cables. The control switch on the lower left side of the driver's seat directs current to the motor.

TESTING

Disconnect motor leads from the circuit. Connect battery and ground wires directly to motor. Motor should operate in one direction. Reverse leads; motor should reverse rotation. If motor does not operate properly, check motor and tracks. If motor does operate, use the following chart to test wiring, using an ohmmeter or test lamp.

Input Circuit Tests

Switch Position	Continuity Between Terminals
Neutral	No continuity between 51 and any terminal.
Up	51 and 978
Down	51 and 979
Forward	51 and 180
Rearward	51 and 179

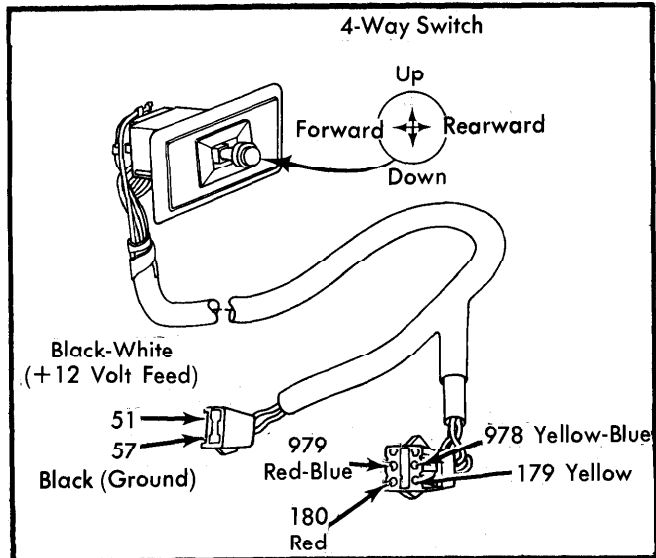


Fig. 1 4-Way Power Seat Connector Terminal Identification

Ground Circuit Tests

Switch Position	Continuity Between Terminals
Neutral	Continuity between 57 and all other terminals.
Up	57 and 179, 180, 979
Down	57 and 179, 180, 978
Forward	57 and 179, 978, 979
Rearward	57 and 180, 978, 979

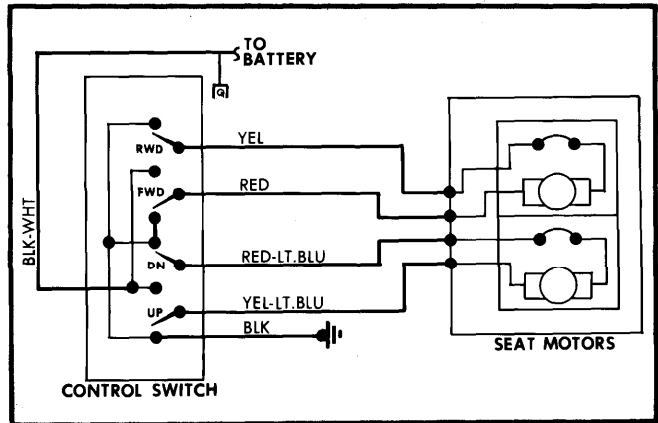


Fig. 2 Ford Motor Co. 4-Way Power Seat Wiring Diagram

REMOVAL & INSTALLATION

SEAT & TRACK

Removal - Electrically raise seat and position it as far rearward as possible. Remove seat track-to-floor attaching bolts. Disconnect feed and switch wiring connectors, then remove seat from vehicle.

Installation - Reverse removal procedure, then using the control switch, check seat operation in all positions.

MOTOR & DRIVE CABLES

Removal - With seat removed from vehicle, separate seat cushion from track by removing cushion retaining screws from each corner of track. Remove motor and bracket by removing bracket attaching screws from bottom side of track assembly. Separate motor from bracket by removing nuts securing motor to bracket. Remove cables and cable tube from drive assembly.

Installation - Reverse removal procedure, then using the control switch, check seat operation in all positions.