

Defoggers — Rear Window

REAR WINDOW DEFOGGER FAN — ALL MODELS

DESCRIPTION

Rear window defogger fan is an integral unit located in center of rear package tray below window. Fan blows inside air onto rear window to remove condensation. System is made up of fan motor, grill, wiring harness and control switch.

OPERATION

Fan operation is controlled by a multiple position switch. Switch may be turned to any of its speed positions and air will be drawn through fan and onto rear window. As switch is moved from high to lower speed positions, resistance is added to motor feed lead, thereby lowering fan speed.

TESTING

Check that all in-line fuses or circuit breakers are operational and supply power. Measure voltage at motor, if no voltage is present check wiring harness and control switch. If motor runs at some speeds, but not at others, check speed control resistors.

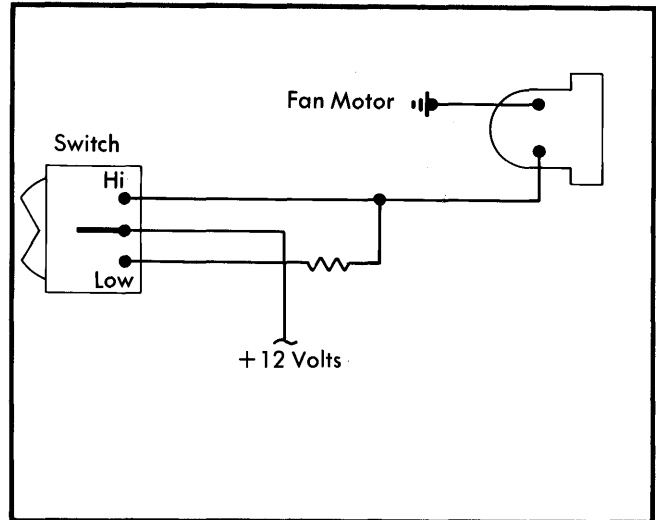


Fig. 1 Rear Window Defogger Fan Wiring Diagram

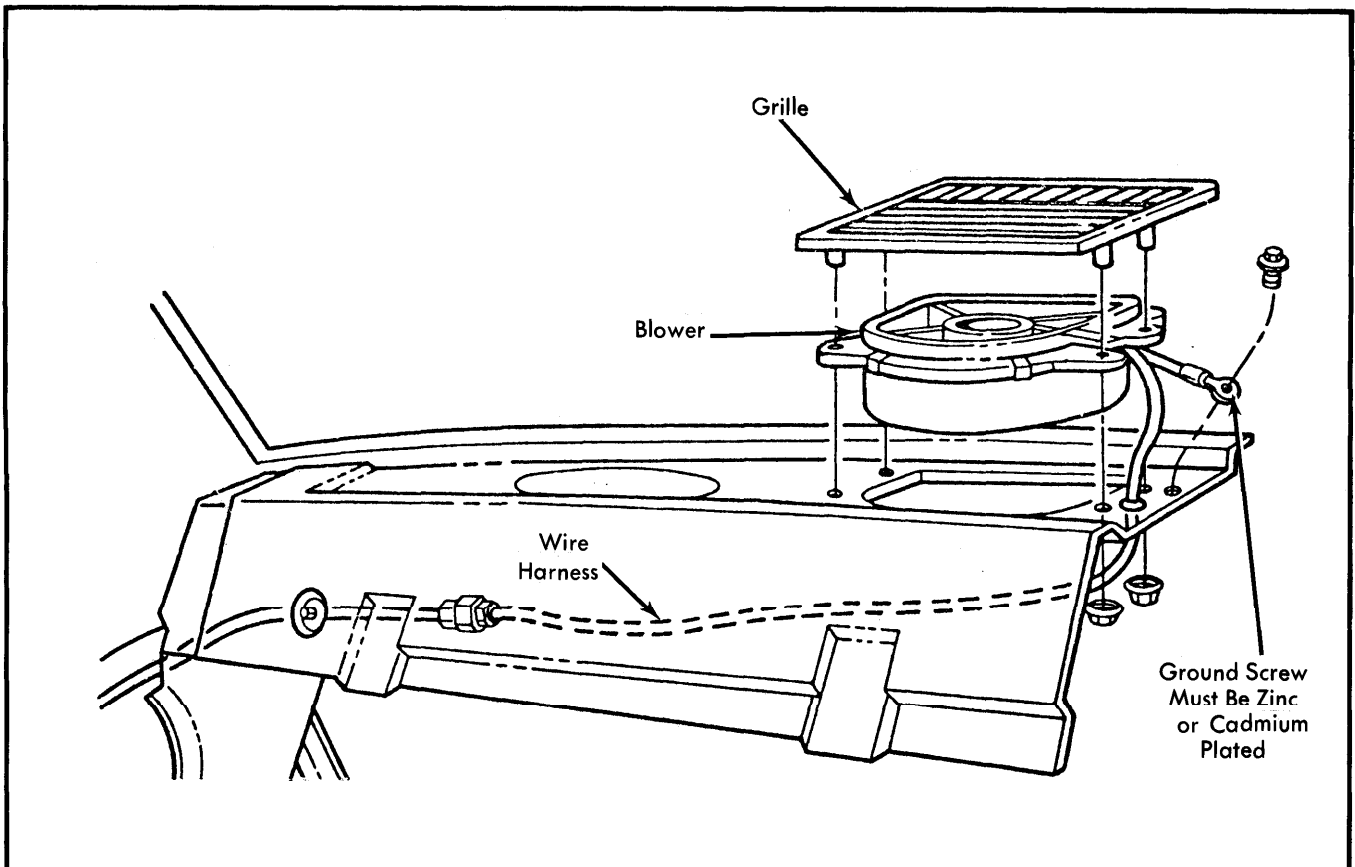


Fig. 2 Component Layout of Rear Window Defogger Fan System