

# Door & Tailgate Locks

## GENERAL MOTORS – SOLENOID ACTUATED

Buick  
 Skylark  
 Chevrolet  
 Nova  
 Oldsmobile  
 Omega  
 Pontiac  
 Phoenix

### DESCRIPTION

GM electric door lock system incorporates a solenoid for each door and a control switch for each door. All doors lock and unlock electrically from control switch or manually from each door in conventional manner.

Each solenoid has an internal circuit breaker which (under extreme conditions) may require up to three minutes to automatically reset. Wiring harness for door lock system is routed in the power window harness conduit.

### TESTING

#### ALL BODY STYLES

**Circuit Breaker** – 1) Connect test lamp across ground and circuit breaker output terminal. Lamp should light.

2) If lamp does not light, check circuit breaker input terminal. If lamp lights on input terminal but not on output terminal, replace circuit breaker. If lamp blinks (breaker clicking on and off) there is a short circuit in feed wiring.

**Junction Block Output** – 1) Connect test light prod into junction block output terminal. If lamp does not light, check power feed jumper to junction block. If lamp lights, check feed wiring for open circuit.

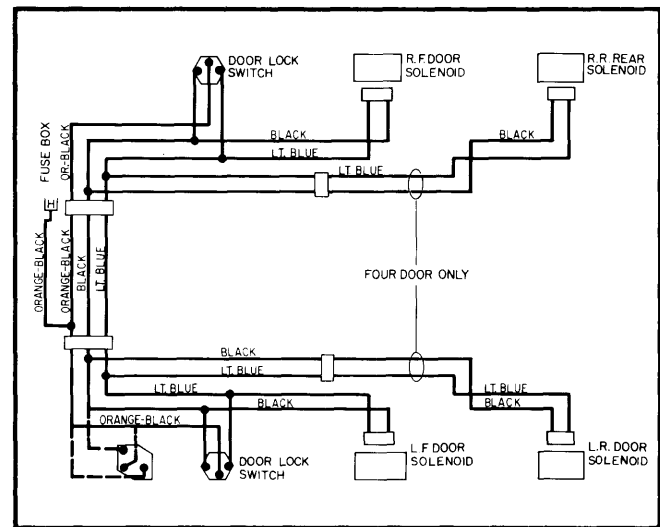
2) Disconnect feed connector (ORG-BLK, LT.BLU and BLK wires) and insert test lamp prod into feed terminal. If no light, check for an open or short in feed circuit,

**Door Lock Control Switch** – 1) With door trim panel removed, insert test lamp prod into feed terminal of switch block. If lamp does not light, repair open or short in ORANGE-BLACK wire.

2) Connect a jumper lead between feed and lock (or unlock) terminal. If locks operate in both cycles, replace switch.

**Front & Rear Door Solenoid** – 1) Disconnect solenoid connector and insert test lamp prod into connector. If lamp lights at both terminals when switch is actuated, switch and feed wires are okay. Check solenoid ground and solenoid operation with separate power source.

2) If lamp does not light at both terminals, repair open or short circuit in BLK or LT. BLU wire.



**Fig. 1 Solenoid Actuated Door Lock Wiring Diagram (Nova, Phoenix, Omega & Skylark)**