

CADILLAC

FUSE BLOCK

Fuse block is located on firewall under instrument panel to left of steering column.

FLASHER LOCATION

Hazard — Refer to Turn Signal & Hazard Flasher Systems in ACCESSORIES & EQUIPMENT Section.

Turn Signal — Refer to Turn Signal & Hazard Flasher Systems in ACCESSORIES & EQUIPMENT Section.

CIRCUIT BREAKERS

Headlights (Twilight Sentinel) — Integral with headlight switch.

Windshield Wiper — Integral with windshield wiper switch.

Sunroof — 25 amp. On body bracket at left side of steering column cover reinforcement (Eldorado only). 30 amp. at upper right corner of fuse block (All models except Seville).

FUSIBLE LINK

Fuel Injection Electronic Control Unit — 18 gauge fusible link located in dark green wire on "BAT" terminal of alternator (Eldorado & Seville Only).

Accessories & Body Feed — 16 gauge fusible link located in black/red stripe wire at junction block (Seville) or starter (exc. Seville).

Ignition — 16 gauge fusible link located in red wire at junction block (Seville) or starter solenoid (exc. Seville).

Headlights — 18 gauge fusible link located in yellow wire at junction block (Seville) or starter (exc. Seville).

Charging — 16 gauge fusible link located in red/white stripe wire at junction block.

IN-LINE FUSE

Vanity Mirror — 2 amp. fuse located behind mirror.

EFI Fuel Pump — 10 amp. fuse located left of fuel injection electronic control unit orange wire (Seville) or the brown wire (exc. Seville).

Theft Deterrent — 20 amp. fuse for lights located in yellow wire above glove box (Seville) or above radio (exc. Seville). 25 amp. fuse for horn located in black/yellow stripe wire above glove box (Seville) or black/red stripe wire above radio (exc. Seville).

Hazard Warning Flasher

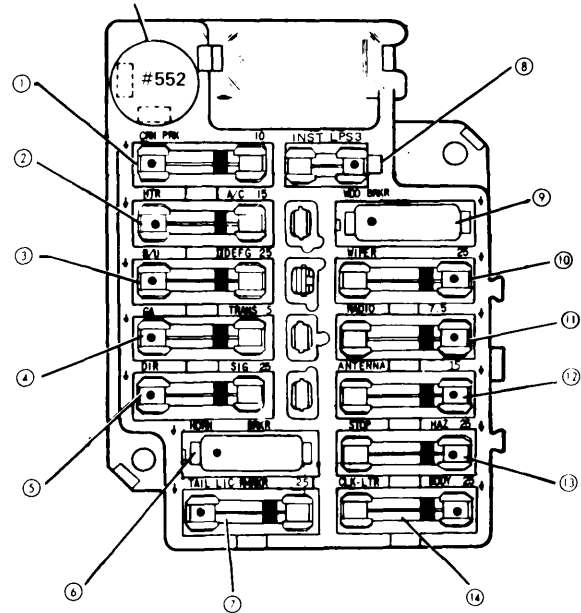


Fig. 1 Fuse Block for Seville

SEVILLE FUSE BLOCK CIRCUITS

- ① — **10 amp.** Cornering, front marker, parking and ash tray lights.
- ② — **15 amp.** Air conditioner, cruise control and generator.
- ③ — **25 amp.** Backup lights, downshift solenoid and electronic spark selection.
- ④ — **5 amp.** Oil, brake, coolant temperature alternator and trunk telltale lights; seat belt warning, fuel gauge and fuel economy indicators.
- ⑤ — **25 amp.** Turn signals and electronic level control.
- ⑥ — **40 amp.** Circuit Breaker. Engine temperature telltale, horns, power seats, power door locks, key warning buzzer.
- ⑦ — **25 amp.** Tail, license and marker lights, rheostat control feed.
- ⑧ — **3 amp.** Rheostat controlled instrument panel lights.
- ⑨ — **40 amp.** Circuit Breaker. Power windows.
- ⑩ — **25 amp.** Windshield wiper and washer.
- ⑪ — **7.5 amp.** Radio.
- ⑫ — **20 amp.** Power antenna, clock, glove box light, instrument panel courtesy light and cigar lighter.
- ⑬ — **25 amp.** Stop lights, hazard warning.
- ⑭ — **20 amp.** Body feed, courtesy and trunk lights, cigar lighter.

CADILLAC (Cont.)

CADILLAC FUSE BLOCK CIRCUITS

- ① — **5 amp.** Rheostat controlled instrument panel lights.
- ② — **3 amp.** Cruise control.
- ③ — **10 amp.** Cornering, side marker and opera lights, right door ash tray light, instrument panel ash tray light.
- ④ — **30 amp.** Circuit breaker. Power windows and sunroof, and sun roof.
- ⑤ — **10 amp.** Back-up lights.
- ⑥ — **20 amp.** Air conditioner compressor feed, amplifier feed and relay coil feed, alternator telltale.
- ⑦ — **10 amp.** Antenna switch feed.
- ⑧ — **20 amp.** Turn signal lights.
- ⑨ — **20 amp.** Stop light switch and hazard warning flasher.
- ⑩ — **20 amp.** Oil pressure telltale, low brake telltale, coolant temperature telltale, fuel gauge, downshift switch, seat belt warning buzzer and light.
- ⑪ — **20 amp.** Key warning buzzer, engine temperature telltale, glove box light, instrument panel cigar lighter and courtesy lights.
- ⑫ — **25 amp.** Automatic Temperature Control blower.
- ⑬ — **30 amp.** Circuit breaker. Power door locks, power seats, horn and trunk release.
- ⑭ — **7.5 amp.** Radio.
- ⑮ — **20 amp.** Electronic fuel injection.
- ⑯ — **20 amp.** Body courtesy lights and cigar lighters.
- ⑰ — **25 amp.** Windshield wipers and washer; washer fluid level telltale light.
- ⑱ — **25 amp.** Rear defogger.
- ⑲ — **25 amp.** Opera lamps, tail lights, license light, rear side marker.

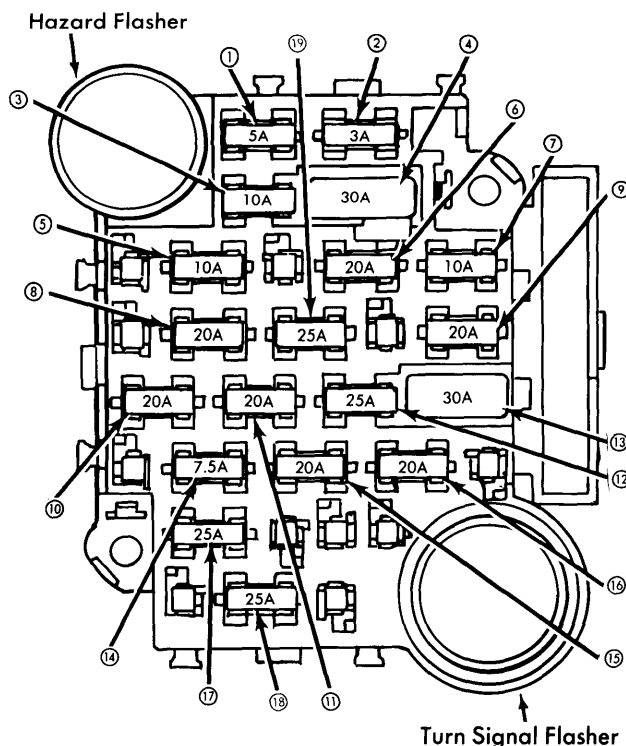


Fig. 2 Fuse Block for Cadillac & Eldorado

ELDORADO FUSE BLOCK CIRCUITS

- ① — **10 amp.** Cornering, side marker, opera, right door ash tray and instrument panel ash tray lights.
- ② — Vacant.
- ③ — **5 amp.** Rheostat controlled instrument panel lights.
- ④ — Vacant
- ⑤ — **10 amp.** Backup lights.
- ⑥ — **20 amp.** Air conditioner feed, amplifier feed, relay coil feed; alternator telltale.
- ⑦ — **10 amp.** Antenna switch feed.
- ⑧ — **20 amp.** Turn signal lights.
- ⑨ — **20 amp.** Stop light switch and hazard warning flasher.
- ⑩ — **20 amp.** Oil pressure, low brake and engine temperature telltale lights; fuel gauge, downshift switch, seat belt warning buzzer and light; level control compressor.

- ⑪ — **20 amp.** Key warning buzzer, engine telltale light, glove box light, instrument panel cigar lighter and courtesy lights.
- ⑫ — **25 amp.** Automatic Temperature Control blower.
- ⑬ — Vacant.
- ⑭ — **7.5 amp.** Radio.
- ⑮ — **20 amp.** Electronic fuel injection.
- ⑯ — **20 amp.** Body courtesy lights, cigar lighters and level control height sensor.
- ⑰ — **25 amp.** Windshield wiper and washer; washer fluid level telltale light.
- ⑱ — **25 amp.** Rear defogger.
- ⑲ — **25 amp.** Opera, tail, license and rear side marker lights.

CHEVROLET

FUSE BLOCK

Located under instrument panel, left side near steering column.

FLASHER LOCATION

Hazard & Turn Signal — Refer to Turn Signal & Hazard Flasher Systems in ACCESSORIES & EQUIPMENT Section.

CIRCUIT BREAKERS

Headlights — Circuit breaker is integral with headlight switch to protect headlight circuit.

Windshield Wiper — Circuit breaker integral with windshield wiper switch to protect wiper circuit.

Power Seats, Power Windows & Power Door Locks — Circuit breaker is attached to firewall to protect electric motors.

FUSIBLE LINKS

Fusible links are located in the engine compartment. Gauge size is marked on insulation and color matches wire being fused. Fusible links should always be four gauge sizes smaller than wire being fused.

CHEVROLET (Cont.)

The links are:

- Molded splice at starter solenoid "BAT" terminal, 14 gauge red wire.
- A 16 gauge red fusible link is located at junction block to protect all unfused wiring of 12 gauge or larger.
- The ammeter circuit is protected by 2 red 20 gauge wire links installed as molded splices at the junction block.

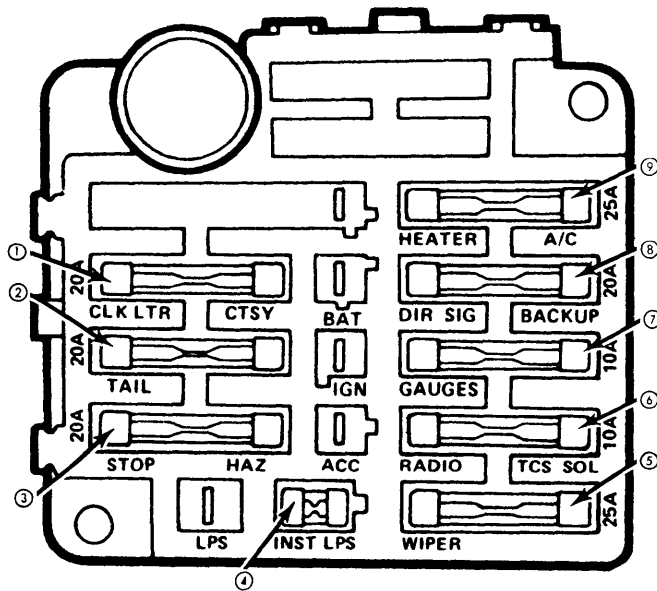


Fig. 1 Fuse Block for Camaro, Chevette, Monza & Nova

IMPALA & CAPRICE FUSE BLOCK CIRCUITS

- ① — 5 amp. Instrument and heater dial lights.
- ② — 25 amp. Heater and air conditioning.
- ③ — 20 amp. Instrument panel warning lights, gauges, cruise control, rear defogger override relay, seat belt warning and headlights warning buzzer.
- ④ — 20 amp. Tail, license, side marker and parking lights.
- ⑤ — 20 amp. Turn signal and backup lights.
- ⑥ — 20 amp. Key warning buzzer, luggage, courtesy, glove box lights; clock and cigar lighter.
- ⑦ — 10 amp. Radio, pulse wiper and choke pull off.
- ⑧ — 20 amp. Stop lights and hazard flasher.
- ⑨ — 25 amp. Windshield wiper and washer.
- ⑩ — 20 amp. Choke heater.

MALIBU, EL CAMINO, MONTE CARLO & CABALLERO FUSE BLOCK CIRCUITS

- ① — 5 amp. Instrument and heater dial lights.
- ② — 25 amp. Heater and air conditioner.
- ③ — 20 amp. Cruise control, gauges, warning lights, warning buzzers.
- ④ — 20 amp. Tail, license, parking and side marker lights.
- ⑤ — 20 amp. Turn signals and backup lights.
- ⑥ — 20 amp. Lighter, clock, key warning buzzer; courtesy dome, glove box and underhood lights.
- ⑦ — 10 amp. Radio, delay wiper and idle stop solenoid.
- ⑧ — 20 amp. Stop and hazard lights.
- ⑨ — 25 amp. Windshield wiper and washer.
- ⑩ — 20 amp. Choke heater.

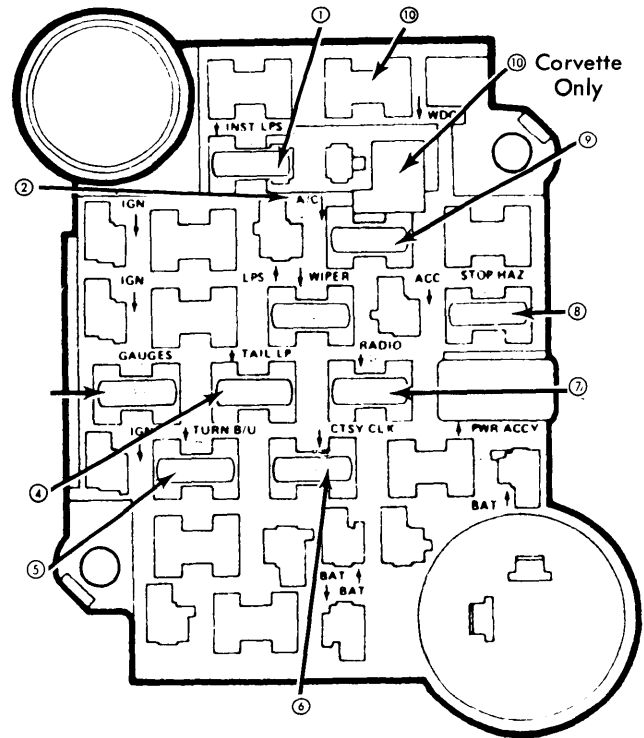


Fig. 2 Fuse Block for Impala, Caprice, Malibu, El Camino, Corvette and Monte Carlo (use "Mini" fuse)

CORVETTE FUSE BLOCK CIRCUITS

- ① — 5 amp. Instrument lights.
- ② — 25 amp. Heater and air conditioning.
- ③ — 10 amp. Gauges, telltale lights, cruise control, seat belt buzzer and power window relay.
- ④ — 20 amp. Tail, side marker, parking and underhood lights.
- ⑤ — 20 amp. Turn signals and backup lights.
- ⑥ — 20 amp. Clock, lighter, anti-theft alarm; dome, courtesy and glove box lights.
- ⑦ — 20 amp. Radio and rear window defogger.
- ⑧ — 20 amp. Stop and hazard lights; key warning buzzer.
- ⑨ — 25 amp. Windshield wiper and washer.
- ⑩ — 30 amp. Circuit breaker. Power window (Corvette only).

CAMARO, NOVA & CHEVETTE FUSE BLOCK CIRCUITS

NOTE — See Fig. 1 for fuse block illustration.

- ① — 20 amp. Dome, courtesy, luggage, glove box lights; clock, lighter and key warning buzzer.
- ② — 20 amp. Tail, parking, side markers, license and underhood lights.
- ③ — 20 amp. Stop and hazard lights.
- ④ — 4 amp. Instrument, radio, heater and windshield wiper switch lights.
- ⑤ — 25 amp. Windshield wiper and washer.
- ⑥ — 10 amp. Radio, idle stop solenoid.
- ⑦ — 10 amp. Gauges, cruise control, rear defogger, headlight buzzer, seat belt warning buzzer.