

FORD MOTOR CO. (Cont.)

CONTINENTAL MARK V FUSE BLOCK CIRCUITS

- ① — **6 amp.** Instrument panel, ATC, radio, cigar lighter windshield wiper, transmission lights and illuminated thermometer.
- ② — **35 amp.** Autolamp and ATC Blower.
- ③ — **20 amp.** Autolamp, ATC clutch, back-up & turn signal lights, trailer tow relays.
- ④ — **20 amp.** Courtesy, glove box, trunk, dome, miles-to-empty lights, clock feed, seatback latch control, ignition lock cylinder warning buzzer, visor mirror and illuminated entry system, reading lamp and garage door opener.
- ⑤ — **50 amp.** Circuit Breaker. Power seats, auto seat back release latch, horns.
- ⑥ — Blank.
- ⑦ — **20 amp.** Cigar lighter (doors).
- ⑧ — **25 amp.** Stop lights, hazard warning system.
- ⑨ — **20 amp.** Cigar lighter (instrument panel) and power door lock.
- ⑩ — **4 amp.** Sure track brake system.
- ⑪ — **15 amp.** Radio and power antenna.
- ⑫ — **15 amp.** Speed control and electric de-icer relay control, ATC clutch, ATC idle solenoid.
- ⑬ — **20 amp.** Circuit Breaker. Power windows, trunk lid and moon roof relay.
- ⑭ — **15 amp.** Heated mirror, rear window de-icer indicator light.
- ⑮ — **7.5 amp.** Cornering lights.
- ⑯ — **7.5 amp.** Warning lights, door ajar, seat belt, low fuel, oil fuel vapor solenoid, temperature, dual brake warning, seat belt buzzer and miles-to-empty.

OLDSMOBILE

FUSE BLOCK

All Models — Fuse block is located under the instrument panel and mounted to the cowl.

FLASHER LOCATION

Hazard & Turn Signal — Refer to *Turn Signal & Hazard Flasher Systems* in **ACCESSORIES & EQUIPMENT** Section.

CIRCUIT BREAKERS

Headlamps — Circuit breaker, located in headlamp switch.

Power Seat — Circuit breaker, located on fuse panel.

Power Windows — Circuit breaker, located on fuse panel.

FUSIBLE LINKS

Cutlass & Toronado — Cutlass and Toronado use three fusible links, all other models use two. On Cutlass and Toronado, the black 16 gauge fusible link connects starter solenoid with red wire to dash connector. The brown 14 gauge fusible link connects starter solenoid with red wire to horn relay junction block. The black 16 gauge fusible link connects horn relay junction block with red wire to dash connector.

Starfire — The red 14 gauge fusible link connects at starter solenoid with red wire to main power connector. The red 16 gauge fusible link is located between dash connector and main power connector.

Omega — The black 16 gauge fusible link is located between dash connector and main power connector. The brown 14 gauge fusible link is located between starter solenoid and main power connector.

88 & 98 — The black 16 gauge fusible links are located between starter solenoid and dash connector, and between starter solenoid and voltage regulator.

IN-LINE FUSES

Air Conditioning — 30 Amp. In-line fuse, located at junction block to A/C harness.

Tempmatic — 30 Amp. In-line fuse, located at junction block to A/C harness.

A/C Compressor — Thermal Limiter, located at compressor harness.

Rear Window Defogger — 30 Amp. In-line fuse, located at junction block to defogger harness.

Tru-track Brake — 5 Amp. fuse In-line, located in Tru-track brake harness.

Power Antenna — 20 Amp. in-line fuse located in power antenna harness.

FLASHERS

Hazard — Located on fuse panel.

Turn Signal — Located on fuse panel on 88 and 98 models. On all other models the flasher is in a clip behind left side of instrument panel.

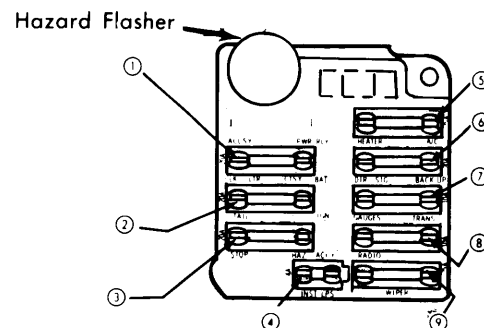


Fig. 1 Fuse Block for Omega

OMEGA FUSE BLOCK CIRCUITS

- ① — **30 amp.** Dome light, cigar lighter, clock, courtesies lights, trunk light, glove box light.
- ② — **20 amp.** Tail, side marker and under hood lights.
- ③ — **20 amp.** Stop lights, hazard warning lights.
- ④ — **4 amp.** Instrument panel lights.
- ⑤ — **25 amp.** Heater, air conditioner.
- ⑥ — **20 amp.** Turn signals & back-up lights.
- ⑦ — **10 amp.** Gauges, seat belt warning.
- ⑧ — **10 amp.** Radio, defogger, idle stop solenoid.
- ⑨ — **25 amp.** Windshield wipers.

OLDSMOBILE (Cont.)

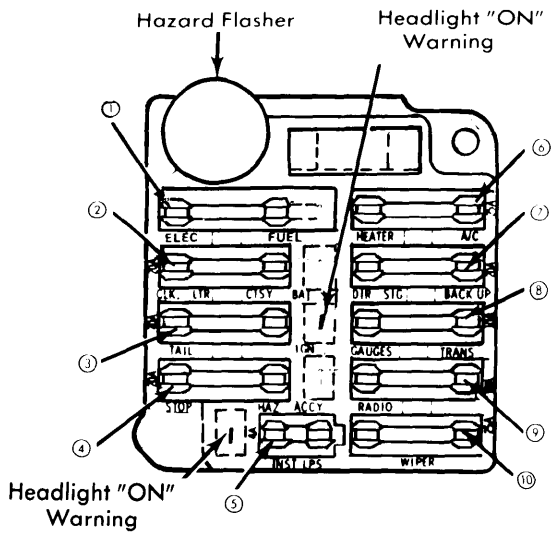


Fig. 2 Fuse Block For Starfire

STARFIRE FUSE BLOCK CIRCUITS

- ① - 10 amp. Electric fuel pump.
- ② - 20 amp. Dome light, cigar light, clock.
- ③ - 20 amp. Tail and side marker lights.
- ④ - 20 amp. Stop and hazard warning lights.
- ⑤ - 4 amp. Instrument panel lights.
- ⑥ - 25 amp. Heater, air conditioner.
- ⑦ - 20 amp. Turn signals, back-up lights.
- ⑧ - 10 amp. Gauges, seat belt warning, low coolant warning, idle stop solenoid.
- ⑨ - 10 amp. Radio, defogger.
- ⑩ - 25 amp. Windshield wipers.

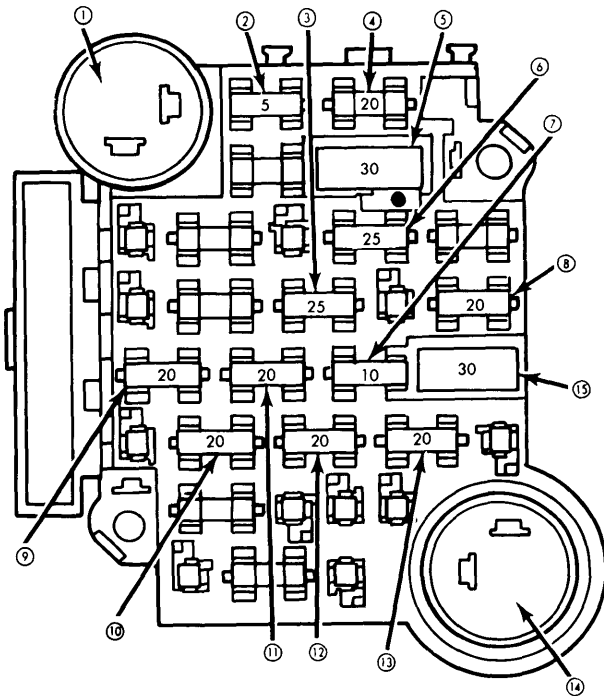


Fig. 3 Fuse Block for Cutlass

CUTLASS FUSE BLOCK CIRCUITS

- ① - Hazard Warning Flasher.
- ② - 5 amp. Instrument Panel Lights.
- ③ - 25 amp. Windshield wiper.
- ④ - 20 amp. Choke heater (V-6 only).
- ⑤ - 30 amp. Power windows, Circuit breaker.
- ⑥ - 25 amp. Heater & air conditioner.
- ⑦ - 10 amp. Radio.
- ⑧ - 20 amp. Stop lights.
- ⑨ - 20 amp. Automatic level control light, Cruise control, rear window defogger, trunk release or station wagon window unlatch.
- ⑩ - 20 amp. Turn signal & back-up lights.
- ⑪ - 20 amp. Tail lights.
- ⑫ - 20 amp. Clock & cigar lighter.
- ⑬ - 20 amp. Courtesy lights & dome lights.
- ⑭ - Turn signal flasher.
- ⑮ - 30 amp. Power accessory circuit breaker.

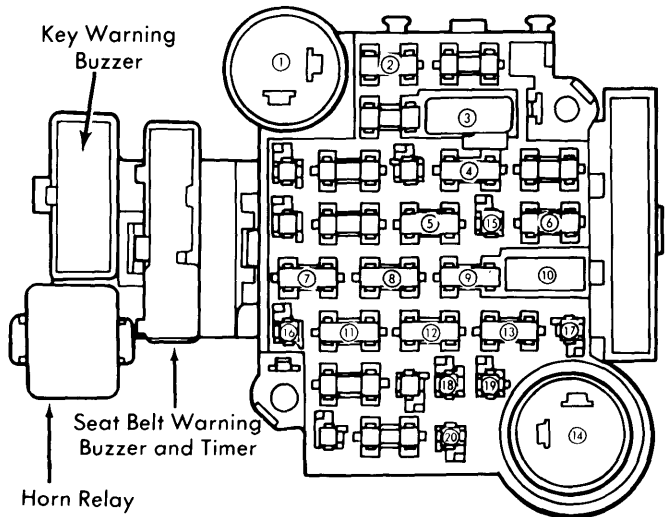


Fig. 4 Fuse Block for 88 & 98

88 & 98

- ① - Hazard flasher.
- ② - 5 amp. Instrument panel light.
- ③ - 30 amp. Circuit Breaker. Power windows.
- ④ - 25 amp. Heater, air conditioner.
- ⑤ - 25 amp. Windshield wiper.
- ⑥ - 20 amp. Stop lights.
- ⑦ - 20 amp. Instrument cluster.
- ⑧ - 20 amp. Tail lights.
- ⑨ - 10 amp. Radio.
- ⑩ - 30 amp. Circuit Breaker. Power accessory.
- ⑪ - 20 amp. Turn signal and back-up lights.
- ⑫ - 20 amp. Clock, cigar lighter.
- ⑬ - 20 amp. Dome and courtesy lights.
- ⑭ - Turn signal flasher.
- ⑮ - Lighted door lock relay.
- ⑯ - CB radio.
- ⑰ - Rear window defogger.
- ⑱ - Power antenna.
- ⑲ - Radio capacitor.
- ⑳ - Digital clock radio, multifunction tone generator.

OLDSMOBILE Cont.)

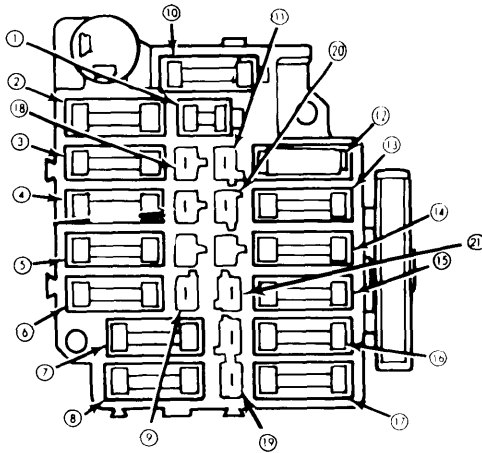


Fig. 5 Fuse Block for Toronado

TORONADO FUSE BLOCK CIRCUITS

- ① — 4 amp. Instrument panel lights.
- ② — 20 amp. Turn signals and back-up lights.

- ③ — 20 amp. Transmission solenoid, trunk release, CB radio, park brake light, seat belt warning, cruise control.
- ④ — 10 amp. EST ignition system.
- ⑤ — 20 amp. Heater, air conditioner, idle stop solenoid.
- ⑥ — 10 amp. Spare.
- ⑦ — 25 amp. Windshield wiper.
- ⑧ — 10 amp. Radio.
- ⑨ — 10 amp. Exterior door lock light.
- ⑩ — 20 amp. Blank.
- ⑪ — Power feed: electric windows, seats and door locks, rear window defogger.
- ⑫ — 40 amp. Circuit Breaker.
- ⑬ — 20 amp. Dome, trunk and courtesy lights, pulse wiper, quarter panel lights, rear cigar lighter.
- ⑭ — 20 amp. Stop and emergency flasher lights.
- ⑮ — 20 amp. Cigar lighter, clock, power antenna, door locks, multifunction tone generator.
- ⑯ — 20 amp. Blank.
- ⑰ — 20 amp. Tail, license, side marker, cornering and underhood lights, radio capacitor.
- ⑱ — Power feed: CB radio and rear window defogger timer.
- ⑲ — Power feed: radio capacitor.
- ⑳ — Power feed: digital clock radio, power antenna, pulse wiper.
- ㉑ — Power feed: visor vanity mirror, hi level lights or time jumper delay.

PONTIAC

FUSE BLOCK

On all models the fuse block is located on the inner firewall at left side just above front edge of floor mat.

IN-LINE FUSES

- Cruise Control — 5 amp.
- Tachometer — 1 amp.
- Heated Rear Glass — 4 amp.

FUSIBLE LINKS

4 Cylinder — 14 gauge red link located between starter terminal and alternator, 16 gauge red link located between connector block and alternator.

6 Cylinder (exc. Firebird and Phoenix) — 14 gauge red link located between starter "BAT" terminal and alternator, 16 gauge red link and 18 gauge red link located between starter solenoid and bulkhead connector.

8 Cylinder (exc. Firebird & Phoenix) — 16 gauge black link and 18 gauge green link located between alternator and bulkhead connector and 16 gauge black link between alternator connector and air conditioning blower circuit.

Sunbird — 14 gauge dark brown link located between starter solenoid and ammeter, 16 gauge orange link at bulkhead connector and 20 gauge orange link at junction block.

Firebird & Phoenix — 16 gauge red link located between alternator and bulkhead connector and 14 gauge red link between starter solenoid and junction block.

NOTE — Pontiac models codes are as follows: A (LeMans, Grand LeMans and Grand AM); B (Catalina, Bonneville and Bonneville Brougham); G (Grand Prix, SJ and LJ); F (Firebird, Firebird Esprit and Formula); H (Sunbird and Sunbird Sport); X (Phoenix and Phoenix SJ).

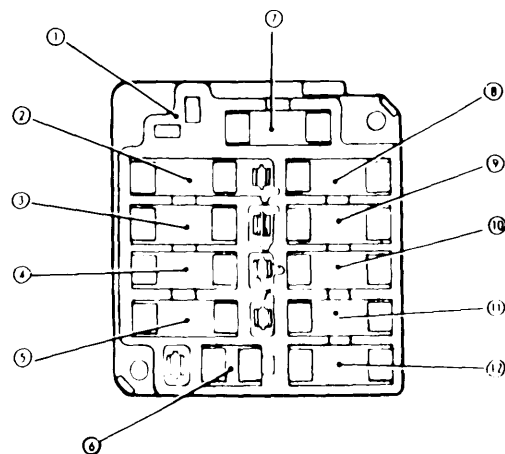


Fig. 1 Fuse Block for Firebird, Phoenix and Sunbird Models)

PONTIAC (Cont.)

- ⑪ - See item 6.
- ⑫ - Not used.
- ⑬ - **25 amp.** Windshield wiper and washer.
- ⑭ - Cruise control.
- ⑮ - **20 amp.** Stop lights, hazard lights and Key warning buzzer.
- ⑯ - **20 amp.** Oil pressure, temperature and fuel gauges, low brake telltale, seat belt warning telltale, seat belt warning buzzer, deck lid release and tailgate unlock.
- ⑰ - **20 amp.** Tail park, cornering, side marker and license lights.
- ⑱ - **10 amp.** Radio and tape player, tailgate ajar light.
- ⑲ - **30 amp.** Circuit Breaker. Power connection for items 8 and 24.
- ⑳ - See item 6.
- ㉑ - **20 amp.** Back-up lights and directional signals.
- ㉒ - **20 amp.** Clock power, cigar lighter, courtesy lights, glove box light, pulse wiper feed, power antenna, to horns, digital AM/FM clock receiver.
- ㉓ - **20 amp.** Vanity, dome, trunk, door courtesy and warning lights. Radio suppression capacitor.
- ㉔ - Power connector for electric door locks and power seats.
- ㉕ - Not used.
- ㉖ - Not used.
- ㉗ - Power connector for pulse wiper (B), radio suppression cap (A & G), power antenna.
- ㉘ - Power connector for dome light fuse.
- ㉙ - Power connector for radio fuse, tailgate ajar light.
- ㉚ - Not used.
- ㉛ - See item 27.
- ㉜ - Directional signal flasher.