

## CHRYSLER CORP., FORD MOTOR CO., GENERAL MOTORS

### DESCRIPTION

Electric seat back release systems automatically release front seat back latches when either door is opened and locks latches when doors are closed. Both seat back latches also have a manual override release lever. When either door is opened, a door jamb switch energizes a relay sending electric current to both seat back solenoids releasing seat latches. When both doors are closed, solenoids are de-energized and return springs return latches to lock positions.

### TESTING & TROUBLE SHOOTING

#### CHRYSLER CORP. MODELS

**One Seat Will Not Release** — At under side of inoperative seat, disconnect body-to-seat connector, dark green and black wires. Position door open and check for voltage between dark green (battery feed wire) and black ground wire. If no voltage is present, trace wiring for open circuit. If voltage is present, check voltage at solenoid connector. If voltage is present at solenoid, check solenoid for correct operation.

**Both Seat Backs Will Not Release** — 1) Remove seat back release relay connector located on right side cowl. With a jumper wire, short between light green battery feed wire and dark green solenoid feed wire. If seat backs release, reconnect relay connector and check for voltage between light green wire and yellow wire at under seat connector. With no voltage at yellow wire, trace wire for an open circuit. With voltage at yellow wire, check seat back release relay for operation.

2) If seats still do not automatically release, replace connector on relay and check voltage of dark green wire at under seat connector. If voltage is not present at dark green wire, check voltage at circuit breaker, check for open circuit in light green wire leading from circuit breaker or open circuit in red battery feed wire leading to circuit breaker. If voltage is present at under seat connector, follow procedure for one seat not releasing.

**Latch(s) Inoperative** — 1) If latch will not close automatically, when seat backs are returned to upright position, disconnect under seat connector and latch should close automatically. If latch still does not close, check return spring tension, inside seat back, to ensure that it is correctly operating to position control lever.

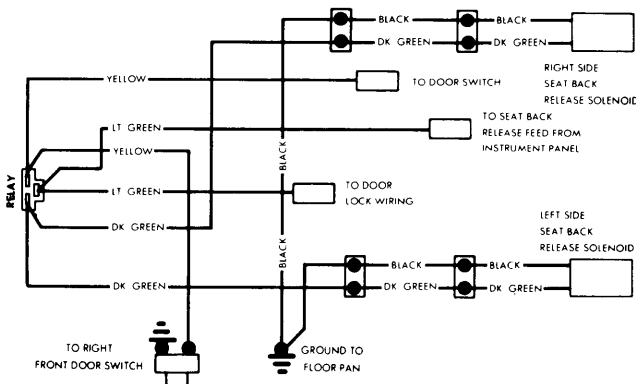


Fig. 1 Chrysler Corp. Seat Back Latch Wiring Diagram

2) If seat now latches, remove connector at relay and check for continuity between yellow wires and ground. With both doors closed, circuit should be open. If circuit not open, check for defective connection or connector. If wiring checks out, check relay operation.

#### GENERAL MOTORS MODELS

**Circuit Breaker** — 1) Check feed wire continuity at circuit breaker. Connect test light to input side of circuit breaker and good ground. If tester does not light, check for an open or short circuit in feed wire.

2) Check circuit breaker by connecting test light lead to output side of breaker and ground other lead. If tester does not light, circuit breaker is inoperative.

**Jamb Switch** — Remove switch and connect test light to orange wire connection. With no voltage at orange wire check for an open circuit in wire. If voltage is present connect a jumper wire (14 gauge wire) between orange wire and yellow wire, if seat latches release, replace jamb switch.

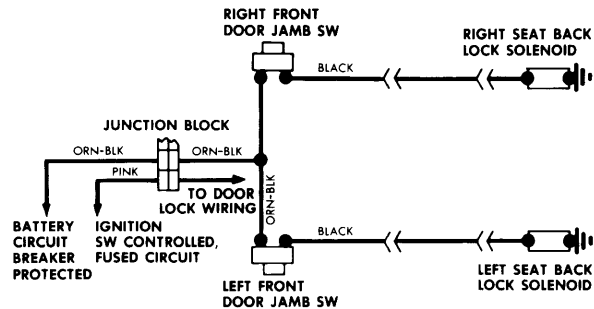


Fig. 2 General Motors Seat Back Latch Wiring Diagram

#### SOLENOID TESTING

**All Makes & Models** — Check for voltage at solenoid feed wire. If voltage is not present, check circuit wiring and components. With voltage to solenoid, check ground and test solenoid with a jumper wire.

#### RELAY TESTING

**Ford** — Disconnect relay noting wire colors. Connect battery power to the relay, positive to the pink-white wire, and negative to relay case. Connect a self-powered test light between other two relay terminals. If test light does not come on, replace relay.

### REMOVAL & INSTALLATION

#### SOLENOID

**Chrysler Corp.** — Disconnect battery and remove manual override lever knob and bezel from seat back. Disconnect solenoid wires, remove trim kick pad and seat back from seat cushion. Remove bezel support and cover trim material from work area of seat back. Disconnect latch link rod and remove solenoid. To install, reverse removal procedure.

**Cougar, LTD II, Thunderbird & Mark V Without Reclining Seat Back** — Cut hog rings from carpet to gain access to solenoid. Remove three shield retaining screws and disconnect wires. Remove two solenoid retaining screws. Loosen two back pivot bracket assembly screws and slide solenoid from seat back latch handle stem. To install, reverse removal procedure.

# Seat Back Latches — Electric

CHRYSLER CORP., FORD MOTOR CO., GENERAL MOTORS (Cont.)

**All Other Ford, Mercury, & Lincoln Models** — Remove seat back trim cover far enough for solenoid access. Disconnect wires at connector plug. Remove clip that connects solenoid plunger to latch pawl and remove solenoid mounting nuts or screws. Remove solenoid from seat assembly and at same time, disengage plunger rod from latch pawl. To install, reverse removal procedure.

**General Motors Models** — With G.M. models, it is necessary to remove lock and solenoid as an assembly. Remove front seat back panel and seat back trim. Remove front seat back assembly from seat cushion. Remove seat back outer side panel and side panel lower support, where present. Remove manual override handle and escutcheon. Remove hog rings securing seat back front and rear trim facings, and foam pad facing along bottom of seat back. Turn up trim and pull out foam pad to gain access to lock attaching bolts. Disconnect feed connector from lock solenoid. Remove seat back lock attaching bolts and remove lock assembly from seat back with solenoid. To install, engage solenoid plunger bar-to-lock link, then loosely install solenoid and support to seat frame. With lock bolt fully down and solenoid plunger fully extended, adjust solenoid up or down until lock link rivet just contacts bottom of slot in plunger. Tighten solenoid attaching screws. Drill a new 9/64" lock screw hole through solenoid support and seat back frame hinge arm, then install new self tapping lock screw.

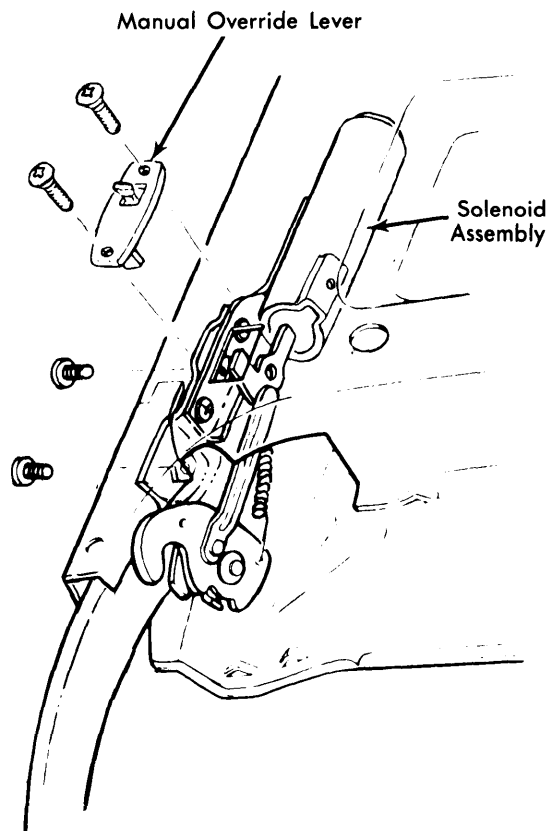


Fig. 3 General Motors Full Width Bench Seat Latch Assembly  
Other General Motors Seat Back Latches Similar

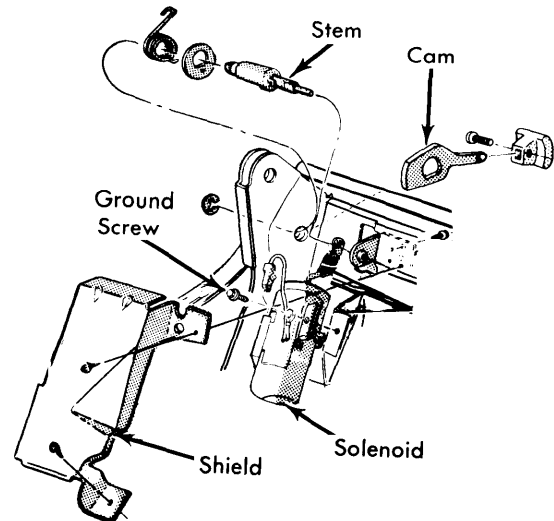


Fig. 4 Ford Motor Co. Bucket Seat Back Latch Assembly  
Thunderbird, Cougar and LTD II Shown - All Others Similar

## RELAY

**NOTE** — Relay is mounted in various locations according to car line or manufacturer as follows:

**Lincoln Mark V** — Located on brake pedal support bracket to right of fuse block.

**Lincoln Continental** — Located under passenger seat on floor pan.

**Ford & Mercury** — Located on front of floor pan near number one crossmember.

**Thunderbird, Cougar, LTD II** — Located inside left side cowl panel.

**Granada, Monarch** — Located on right side of instrument panel.

**Chrysler Corp. Models** — Relay is located on right side of cowl.

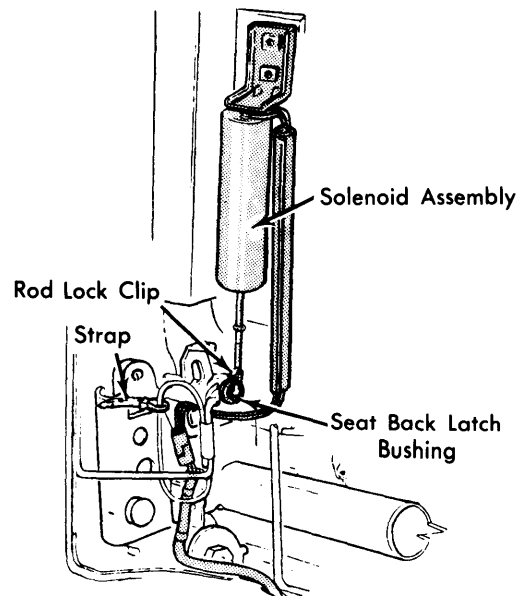


Fig. 5 Ford Motor Co. Bench Seat Back Latch Assembly  
Lincoln Continental Shown — All Others Similar