

DODGE & PLYMOUTH (Cont.)

ASPEN, DIPLOMAT, LeBARON & VOLARE FUSE BLOCK CIRCUITS

- ① - 30 amp. Air conditioner and heater blower motor.
- ② - 20 amp. Instrument cluster lamps, tail, license, side marker and parking lamps.
- ③ - 20 amp. Stop, dome, map, trunk, glove box, ignition and underhood lamps, clock, cigar lighter, key-in warning buzzer.
- ④ - 20 amp. Horn, horn relay.
- ⑤ - 30 amp. Circuit Breaker Power windows, power door locks, power seats.
- ⑥ - 20 amp. Power door lock relay, spotlight.
- ⑦ - 5 amp. Instrument panel and cluster lamps, gear selector lamp, console lamps.
- ⑧ - 5 amp. Fuel and temperature gauge, brake warning lamp, voltage limiter, oil pressure lamp, seat belt lamp, buzzer and time delay relay.
- ⑨ - 20 amp. Speed control, rear window defogger, electric deck lid release solenoid, window lift safety, heater backlite relay.
- ⑩ - 20 amp. Turn signal, back-up lamps, air conditioning clutch.
- ⑪ - 3 amp. Radio.
- ⑫ - 20 amp. Hazard flasher circuit.

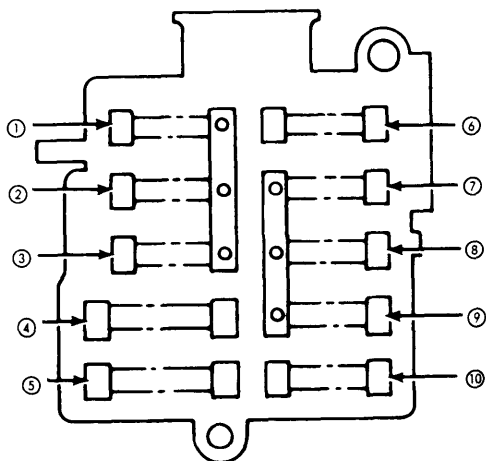


Fig. 2 Fuse Block for All Models (Except Aspen, Diplomat, LeBaron & Volare)

MONACO, CHARGER SE & FURY FUSE BLOCK CIRCUITS

- ① - 4 amp. Accessory switch lamps, air conditioning or heater control lamps, radio and cluster lamps, ash tray

- lamp, digital clock lamp, gear selector lamp.
- ② - 20 amp. Horn (dual), horn relay.
- ③ - 20 amp. Parking, side marker, tail and license lamps, clock, key warning buzzer.
- ④ - 20 amp. Ignition switch lamp time delay relay, glove box and map lamps, courtesy lamps, cigar lighter, dome and trunk lamps, stop lamps.
- ⑤ - 20 amp. Hazard flasher circuit.
- ⑥ - 20 amp. Turn signals and back-up lamps.
- ⑦ - 5 amp. Radio.
- ⑧ - 5 amp. EGR lamp, seat belt lamp and buzzer, brake warning lamp, oil pressure lamp, fuel temperature and oil pressure gauges, time relay voltage limiter.
- ⑨ - 30 amp. Air conditioning blower motor.
- ⑩ - 20 amp. Heater blower motor, heated backlite, power window relay, tailgate relay, trunk release, tailgate ajar.

ROYAL MONACO & GRAN FURY FUSE BLOCK CIRCUITS

- ① - 5 amp. Radio, clock, stereo tape, heater and air conditioner lamps, windshield wiper and headlamp switch title lamps, cluster lamps, rear window defogger and heated backlite, tailgate lock switch, oil and temperature gauges.
- ② - 5 amp. Dual brake, oil pressure, door ajar indicator and seat belt lamps, seat belt time delay relay and buzzer, voltage limiter, radio capacitor, fuel, temperature and oil gauge, window lift safety relay.
- ③ - 5 amp. Radio.
- ④ - 20 amp. Speed control, rear window defogger, air conditioning clutch, turn signal flasher, back-up and turn signal lamps, cornering lamps, power antenna.
- ⑤ - 20 amp. Hazard flasher.
- ⑥ - 20 amp. Stop, dome, trunk, glove box, map, courtesy, and vanity visor lamps, time delay relay, key-in buzzer, headlamp-on buzzer, clock, cigar lighter, headlamp switch title lamp, ignition switch lamp.
- ⑦ - 20 amp. Side marker, tail, license, parking and instrument lamps.
- ⑧ - 20 amp. Horn (dual) and horn relay.
- ⑨ - 30 amp. Circuit Breaker Power window, power seat, tailgate window lift, tailgate lock.
- ⑩ - 30 amp. Air conditioning blower motor, heater blower motor, heated backlite relay, electric deck lid.

FORD MOTOR CO.

FUSE BLOCK

Located left of steering column on dash panel.

FLASHER LOCATION

Hazard & Turn Signal - Refer to Turn Signal & Hazard Flasher Systems in ACCESSORIES & EQUIPMENT Section.

CIRCUIT BREAKERS

8.25 Amp. - Located in fuse panel to protect windshield wiper and intermittent wiper (2-speed).

15 Amp. - Integral with headlight switch to protect following: Tail, park, license and marker lights, horns and trailer towing tail light relay.

18 Amp. - Integral with headlight switch to protect headlight circuit and high beam indicator light.

20 Amp. - Attached to starter relay except on 2-dr. Mercury models it is attached to fuse panel. Unit protects power windows (Ford 4-dr. and all Mercury) and power seats, automatic seatback latch solenoid feed (Ford only), door locks, and engine compartment light (Mercury only).

20 Amp. - Attached to fuse panel for protection of power windows on Ford models.

FORD MOTOR CO. (Cont.)

FUSIBLE LINK

A fusible link for protection of Automatic Temperature Control is found in engine compartment for high blower between battery feed and relay. A fusible link is also found in wiring harness to protect the following circuits: Engine compartment light, rear window de-ice, trailer towing brakes and lights, and electric choke.

IN-LINE FUSES

30 Amp. — Used on station wagons only to protect electric rear window de-ice and is found in feed wire under instrument panel behind windshield wiper switch.

2 Amp. — Used to protect visor mirror light and located behind mirror.

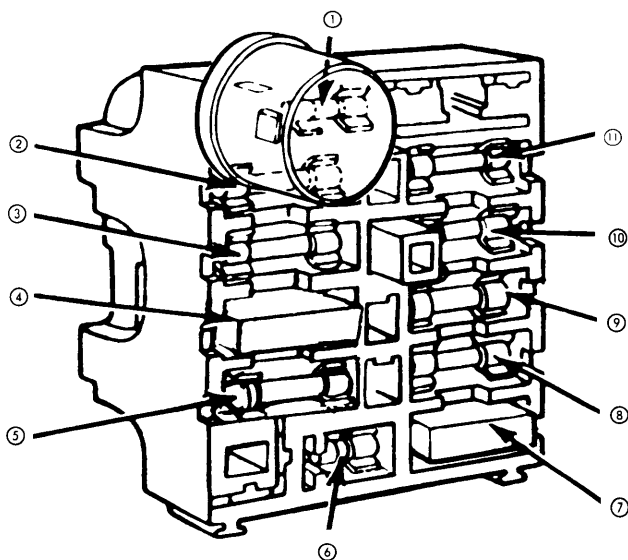


Fig. 1 Fuse Block for Ford and Mercury

FORD & MERCURY FUSE BLOCK CIRCUITS

- ① — 7.5 amp. Indicator lights — Engine hot, oil pressure, throttle positioner, dual brake, seat belt, and parking brake, and alternator indicator light.
- ② — 15 amp. Radio and power antenna (Mercury only).
- ③ — 20 amp. Windshield washer, rear window de-ice, control safety relay coil feed, power window relay coil feed (4-door only), police accessory relay coil feed, cornering lights, rear door cigar lighters, deck lid release, and defogger, speed control relay.
- ④ — 25 amp. Rear window (station wagon only) or 20 amp. Circuit Breaker for 2-dr. power windows.
- ⑤ — 8.25 amp. Windshield wiper system.
- ⑥ — 4 amp. Instrument panel and cluster illumination, clock, radio, ash tray, headlight and windshield wiper switch, heater-air conditioner and ATC control.
- ⑦ — 20 amp. Heater or 30 amp. Air conditioning or automatic temperature control.
- ⑧ — 20 amp. Back-up lights, turn signals, air conditioning or automatic temperature control clutch feed.

- ⑨ — 15 amp. Courtesy lamps, instrument panel, door, dome, glove box, cargo (station wagon only), and luggage compartment lights, clock feed, key warning buzzer, seat back latch relay control, lighted visor vanity.
- ⑩ — 15 amp. Hazard warning system and stop lights.
- ⑪ — 15 amp. Cigar lighter.

COUGAR, LTD II & THUNDERBIRD

FUSE BLOCK

Located to left of steering column on dash panel.

CIRCUIT BREAKERS

Circuit Breaker — Integral with windshield wiper switch to protect 2-speed and interval windshield wipers.

Circuit Breaker — Located in motors to protect electric motors for windows and seats.

15 Amp. — Integral with headlight switch to protect the following: Rear, parking, license plate, and side marker lamps, horns and gear shift selector lamps.

20 Amp. — Attached to starter relay to protect following: Automatic seatback latch, electric windows, power seats, power rear windows (station wagons).

22 Amp. — Integral with headlight switch to protect the headlight circuit.

FUSIBLE LINK

14 Gauge — In wiring to protect electric rear window defroster.

16 Gauge — In wiring to protect trailer towing.

20 Gauge — In wiring to protect engine compartment lamp.

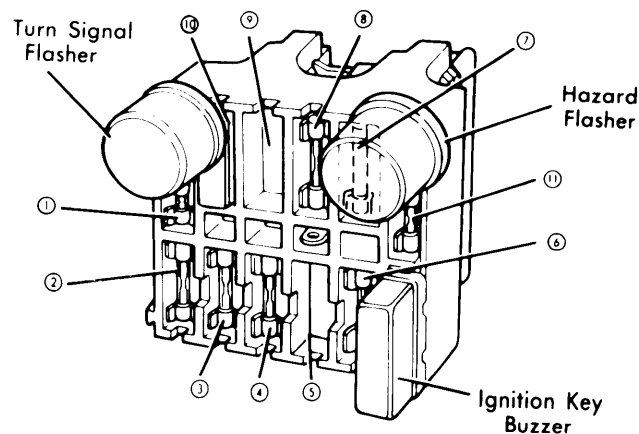


Fig. 2 Fuse Block for Cougar, LTD II and Thunderbird

FORD MOTOR CO. (Cont.)

COUGAR, LTD II & THUNDERBIRD FUSE BLOCK CIRCUITS

- ① - 4 amp. Instrument panel illumination lamps.
- ② - 20 amp. Heater or 30 amp. air conditioning or automatic temperature control.
- ③ - 20 amp. Turn signal, back-up lamps, air conditioning compressor clutch.
- ④ - 15 amp. Courtesy, dome and reading lights, cargo, glove box, key warning buzzer, seat back latch control, clock, headlamp on warning buzzer.
- ⑤ - 15 amp. Stop lights.
- ⑥ - 20 amp. Cigar lighter, station wagon rear window, 2-door seat latch.
- ⑦ - 15 amp. Radio.
- ⑧ - 20 amp. Windshield washer, power window, safety relay control, heated rear window relay control, police accessory relay control, speed control.
- ⑨ - 25 amp. Accessory feed, power tailgate (Station Wagon) or 20 amp. Circuit Breaker, Power window (2-door).
- ⑩ - Blank
- ⑪ - 7.5 amp. Warning lights, dual brake system, seat belt warning lamp and buzzer, solenoid throttle positioner, low vacuum warning lamp.

GRANADA & MONARCH

FUSE BLOCK

Located in left side of lower instrument panel behind a cover.

CIRCUIT BREAKERS

Circuit Breaker - Part of windshield wiper switch, protects wiper motor.

15 Amp. - Integral with headlight switch to protect following: parking, side marker, license and tail lamps.

18 Amp. - Integral with headlight switch to protect headlight circuit and high beam indicator.

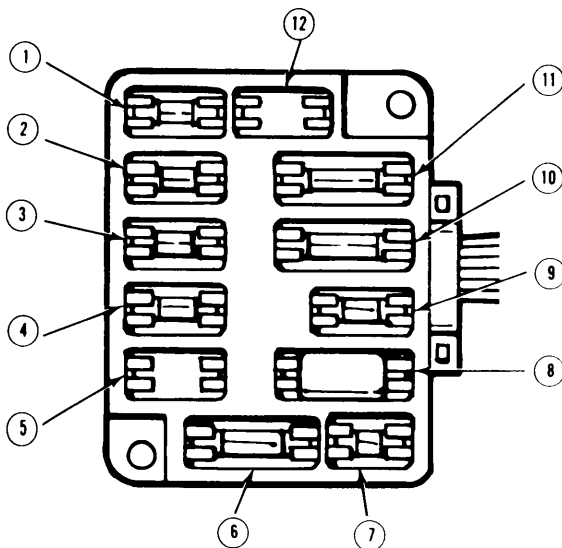


Fig. 3 Fuse Block for Granada and Monarch

IN-LINE FUSES

2 Amp. - Used to protect lighted vanity mirror and located behind mirror.

GRANADA & MONARCH FUSE BLOCK CIRCUITS

- ① - 15 amp. Heater or 30 amp. Air conditioner.
- ② - 15 amp. Turn signals, back-up lights.
- ③ - 15 amp. Courtesy and stop lamps.
- ④ - 20 amp. Horns, cigar lighter.
- ⑤ - 15 amp. Hazard flasher.
- ⑥ - 14 amp. Instrument panel warning lamps.
- ⑦ - Blank.
- ⑧ - 6 amp. Circuit Breaker Windshield wiper.
- ⑨ - 20 amp. Windshield washer, accessories.
- ⑩ - Blank.
- ⑪ - 7.5 amp. Radio, tape player.
- ⑫ - 4 amp. Instrument panel cluster lamps, automatic shift quadrant lamp.

MUSTANG II

FUSE BLOCK

Located on dash panel above accelerator pedal.

CIRCUIT BREAKERS

6 Amp. - Attached to fuse panel for protection of windshield wiper motor.

18 Amp. - Integral with headlight switch to protect headlight circuit and high beam indicator light.

FUSIBLE LINK

Fusible links give added protection to the following circuits: Electric rear window defroster, engine compartment lamp, and electric choke.

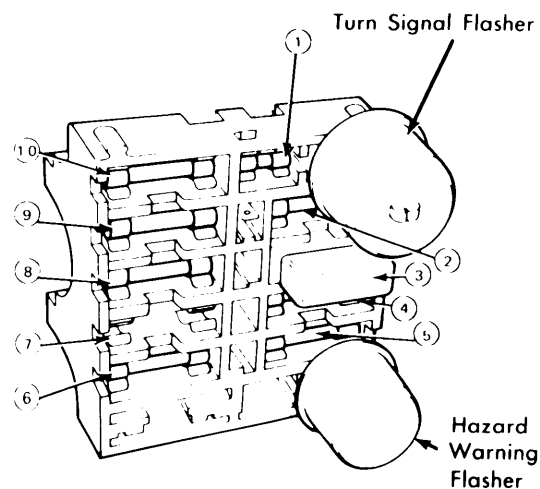


Fig. 4 Fuse Block for Mustang II

FORD MOTOR CO. (Cont.)

MUSTANG II FUSE BLOCK CIRCUITS

- ① - 4 amp. Instrument panel lamps.
- ② - 7.5 amp. Oil, brake, and seat belt indicator lamps, seat belt buzzer, throttle solenoid positioner, emission control solenoid.
- ③ - 6 amp. Circuit Breaker Windshield wiper motor.
- ④ - 15 amp. Windshield washer motor, door ajar lamp, heated back light control indicator lamp and anti-theft module, fuel monitor indicating lamp.
- ⑤ - 7.5 amp. Radio/tape player.
- ⑥ - 20 amp. Horn, and cigar lighter.
- ⑦ - 15 amp. Dome, glove box, map, trunk, door and instrument panel courtesy lamps, Key and headlamp on warning buzzer and lamp, clock feed, anti-theft module, horn and seat belt warning system.
- ⑧ - 15 amp. Stop and emergency warning lights.
- ⑨ - 15 amp. Heater or 30 amp. Air conditioner.
- ⑩ - 15 amp. Back-up lamps and turn signal lamp.

MAVERICK & COMET

FUSE BLOCK

Located in lower instrument panel

CIRCUIT BREAKERS

6 Amp. - Integral with windshield wiper switch to protect windshield wiper motor.

15 Amp. - Integral with headlight switch to protect following: Parking, license plate, side marker and stop lamps, and horn circuit.

18 Amp. - Integral with headlight switch to protect headlight circuit and high beam indicator.

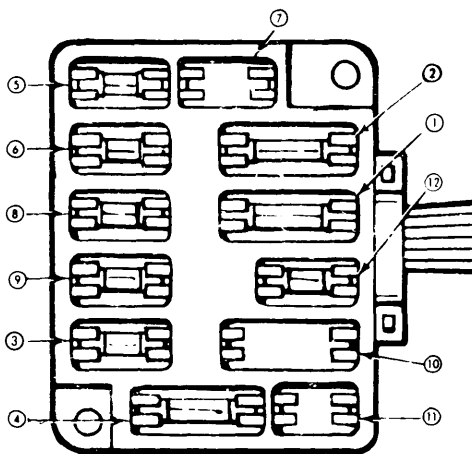


Fig. 5 Fuse Block for Maverick and Comet

MAVERICK & COMET FUSE BLOCK CIRCUITS

- ① - 15 amp. Cigar lighter and hazard flasher.
- ② - 15 amp. Dome, glove box and luggage compartment lamps, key buzzer.
- ③ - 4 amp. Instrument panel lamps and radio dial, heater and air conditioner lamps.
- ④ - 14 amp. Warning lamps, throttle positioner solenoid, or other emission control equipment.
- ⑤ - 15 amp. Heater/Defroster motor or 30 amp. Air conditioner motor.

MAVERICK & COMET FUSE BLOCK CIRCUITS

- ⑥ - 15 amp. Back-up lamps and turn signals.
- ⑦ - Blank.
- ⑧ - 7.5 amp. Radio and tape player.
- ⑨ - 15 amp. Windshield washer motor and accessories.
- ⑩ - Blank.
- ⑪ - Blank.
- ⑫ - Blank.

PINTO & BOBCAT

FUSE BLOCK

Located in lower instrument panel to the right of steering column.

CIRCUIT BREAKERS

4 Amp. - Integral with windshield wiper switch to protect windshield wiper motor.

15 Amp. - Integral with headlight switch to protect following: Parking, side marker and license plate lamps, and all instrument lamps.

18 Amp. - Integral with headlight switch to protect headlight circuit and high beam indicator light.

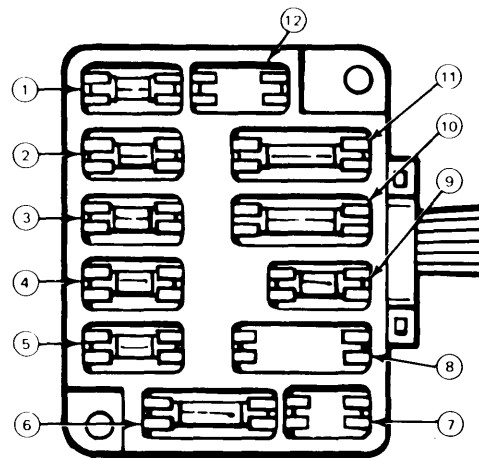


Fig. 6 Fuse Block for Pinto and Bobcat

PINTO & BOBCAT FUSE BLOCK CIRCUITS

- ① - 15 amp. Heater (optional 30 amp. air conditioner).
- ② - 15 amp. Turn signal, back-up lights.
- ③ - 7.5 amp. Radio.
- ④ - 15 amp. Windshield washer, electric rear window defroster control and indicator.
- ⑤ - 4 amp. Instrument and panel illumination.
- ⑥ - 14 amp. Warning lights for: engine, fuel economy, brakes, seat belts, lift gate open indicator, and emission control solenoids.
- ⑦ - Blank.
- ⑧ - Blank.
- ⑨ - 20 amp. Horn, cigar lighter.
- ⑩ - 15 amp. Stop lights, hazard flashers.
- ⑪ - 15 amp. Dome, map, glove box, cargo and luggage compartment lamps, key and headlights "ON" warning buzzer.
- ⑫ - Blank.

FORD MOTOR CO. (Cont.)

LINCOLN CONTINENTAL

FUSE BLOCK

Located left of steering column on firewall above brake pedal.

CIRCUIT BREAKERS

8.25 Amp. — Integral with wiper switch to protect windshield wiper circuit.

15 Amp. (20 Amp. With Autolamp) — Integral with headlight switch to protect following: Parking, ash tray, marker, license plate and tail light lamps.

18 Amp. (20 Amp. With Autolamp) — Integral with headlight switch to protect headlight circuit and headlight "ON" warning buzzer.

20 Amp. — Located in fuse panel and protects power window and deck lid release.

20 Amp. — Located in fuse panel and protects horns and door locks.

30 Amp. — Located in fuse panel and protects anti-theft warning, power seat and latch.

FUSIBLE LINK

Fusible links are found in the wiring harness in engine compartment to protect the following: automatic temperature control high blower (de-ice and defroster), electric choke, electric de-ice and back light, and load circuit.

IN-LINE FUSE

4 Amp. — In wiring to protect automatic headlight dimmer circuit.

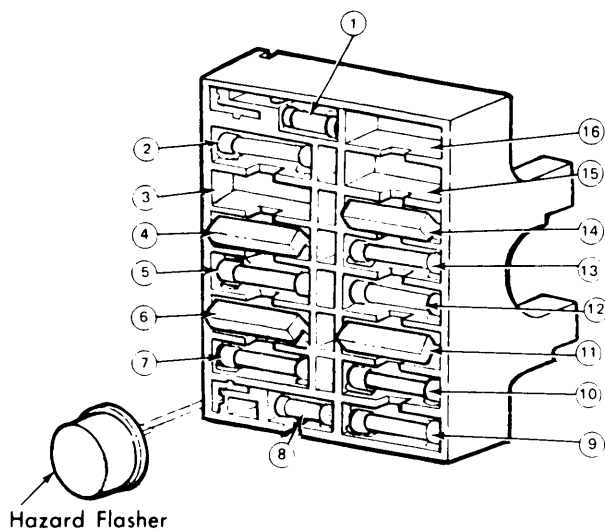


Fig. 7 Fuse Block for Lincoln Continental

LINCOLN CONTINENTAL FUSE BLOCK CIRCUITS

- ① — 4 amp. Sure-Track brake system.
- ② — 7.5 amp. Indicator lights: door ajar, low fuel, seat belt, dual brake warning light, throttle positioner, low vacuum indicator lamp, air dump solenoid, air cleaner ambient switch, emissions system, and parking brake warning.
- ③ — Blank.

LINCOLN CONTINENTAL FUSE BLOCK CIRCUITS

- ④ — 20 amp. Emergency flashers and stop lamps.
- ⑤ — 25 amp. Cigar lighter.
- ⑥ — 30 amp. Circuit Breaker Power seat, power seat back release latch, horns, door locks, anti-theft warning.
- ⑦ — 15 amp. Courtesy lamps, doors, reading, luggage compartment, map and glove box lamps, clock feed, seat back latch control, ignition key warning buzzer, headlights "ON" warning lamp.
- ⑧ — 6 amp. Instrument panel and cluster lamps, radio, clock, heater, air conditioning, windshield wiper, map light switch, transmission quadrant lamp.
- ⑨ — 7.5 amp. Speed control, windshield washer and rear window defroster control, anti-theft module.
- ⑩ — 20 amp. Turn signal, back-up lamps, automatic temperature control compressor clutch.
- ⑪ — 7.5 amp. Accessory relay.
- ⑫ — 30 amp. Air conditioning.
- ⑬ — 15 amp. Radio, power antenna.
- ⑭ — 20 amp. Power windows, deck lid release.
- ⑮ — 7.5 amp. Autolamp system.
- ⑯ — 7.5 amp. Cornering lamps.

CONTINENTAL MARK V

FUSE BLOCK

Located to left of steering column on firewall.

CIRCUIT BREAKERS

Circuit Breaker — Integral with wiper switch to protect windshield wiper circuit.

15 Amp. (20 Amp. With Autolamp) — Integral with headlight switch to protect following: parking, license, tail and marker lights, headlights "ON" relay and indicator light feed, headlight buzzer.

20 Amp. (22 Amp. With Autolamp) — Integral with headlight switch to protect headlight circuit and high beam light circuit.

20 Amp. — Located in fuse panel to protect power windows and electric trunk lid.

30 Amp. — Located in fuse panel to protect power seat and power seat latch.

FUSIBLE LINK

17 Gauge — In engine compartment near power brake booster to protect automatic temperature control "MAX" blower circuit.

IN-LINE FUSE

2 Amp. — Behind visor mirror to protect lighted mirror.

4 Amp. — In wiring near fuse panel to protect automatic dimmer circuit.

25 Amp. — Located on left side of pedal support bracket to protect moonroof circuit.

FORD MOTOR CO. (Cont.)

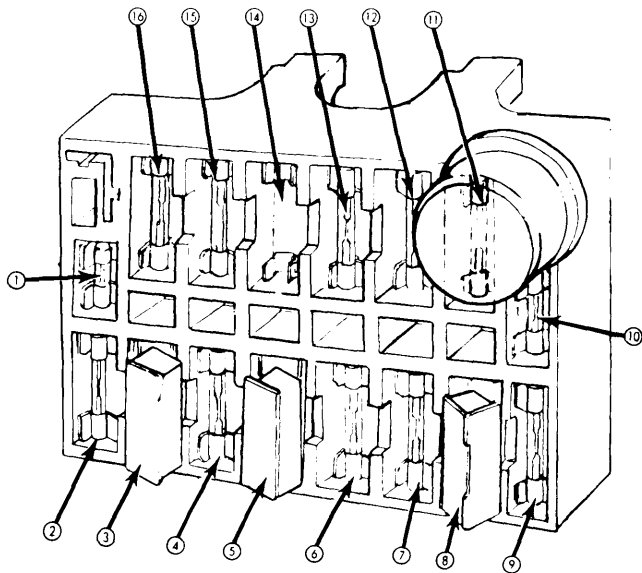


Fig. 8 Fuse Block for Continental Mark V

CONTINENTAL MARK V FUSE BLOCK CIRCUITS

- ① — 6 amp. Instrument panel and cluster lights, automatic temperature control, headlight switch, heater or air conditioning, radio, ashtray, cigar lighters, clock, windshield wipers and transmission indicator light.
- ② — 30 amp. Air conditioning or automatic temperature control blower.
- ③ — 20 amp. Air conditioning clutch, turn signals and back-up lamps.
- ④ — 15 amp. Courtesy lamps, glove box, luggage compartment, clock feed, dome and map lamps, ignition key warning buzzer and automatic seatback latch control.
- ⑤ — 30 amp. Circuit Breaker. Power seats, automatic seatback release latch.
- ⑥ — 30 amp. Electric de-ice.
- ⑦ — 20 amp. Cigar lighters (doors).
- ⑧ — 25 amp. Stop lights, emergency flasher system and anti-theft module.
- ⑨ — 20 amp. Cigar lighter, instrument panel and electric door lock system.
- ⑩ — 4 amp. Sure-Track brake system.
- ⑪ — 15 amp. Radio and power antenna.
- ⑫ — 7.5 amp. Windshield washer, speed control, electric de-ice relay control.
- ⑬ — 7.5 amp. Warning lights: Door ajar, seat belt, low fuel, oil pressure, temperature, and dual brake warning.
- ⑭ — Blank.
- ⑮ — 7.5 amp. Cornering lights.
- ⑯ — 20 amp. Circuit Breaker. Power window and electric trunk lid.

VERSAILLES

FUSE BLOCK

Located left of steering column above parking brake release handle.

CIRCUIT BREAKERS

6 Amp. — Located in fuse panel and protects wiper circuit.

15 Amp. — Integral with headlight switch to protect following: tail lights, license plate light, parking and marker lights.

22 Amp. — Integral with headlight switch to protect headlight circuit.

IN-LINE FUSE

2 Amp. — Used to protect lighted vanity mirror and located behind mirror.

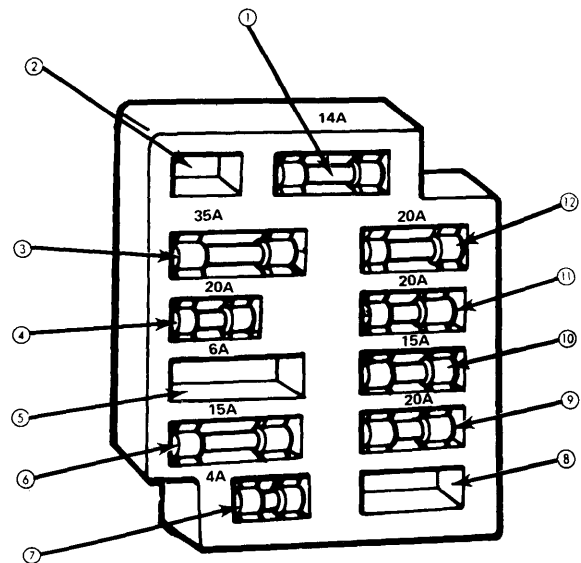


Fig. 9 Fuse Block for Versailles

VERSAILLES FUSE BLOCK CIRCUITS

- ① — 14 amp. Instrument panel cluster warning lamps.
- ② — Blank.
- ③ — 35 amp. Automatic temperature control.
- ④ — 20 amp. Turn signal flasher and back-up lamps.
- ⑤ — 6 amp. Circuit Breaker Windshield wiper motor.
- ⑥ — 15 amp. Radio or tape player and power antenna.
- ⑦ — 4 amp. Instrument panel illumination lamps.
- ⑧ — Blank.
- ⑨ — 20 amp. Windshield washer, heated backlite switch and relay control feed, speed control amplifier, cornering lamps, window regulator safety relay control feed, illumination entry lamps feed.
- ⑩ — 15 amp. Stop and courtesy lamps.
- ⑪ — 20 amp. Cigar lighter and horns.
- ⑫ — 20 amp. Emergency warning lamps.