

## CADILLAC

### FUSE BLOCK

Fuse block is located on firewall under instrument panel to left of steering column.

### FLASHER LOCATION

**Hazard** – Refer to Turn Signal & Hazard Flasher Systems in ACCESSORIES & EQUIPMENT Section.

**Turn Signal** – Refer to Turn Signal & Hazard Flasher Systems in ACCESSORIES & EQUIPMENT Section.

### CIRCUIT BREAKERS

**Headlights (Twilight Sentinel)** – Integral with headlight switch.

**Windshield Wiper** – Integral with windshield wiper switch.

**Sunroof** – 25 amp. On body bracket at left side of steering column cover reinforcement (Eldorado Only). 30 amp. at upper left corner fuse block (All models except Seville).

### FUSIBLE LINK

**Fuel Injection Electronic Control Unit** – 18 gauge fusible link located in dark green wire on "BAT" terminal of alternator (Eldorado & Seville Only).

**Accessories & Body Feed** – 16 gauge fusible link located in black/red stripe wire at junction block (Seville) or starter (exc. Seville).

**Ignition** – 16 gauge fusible link located in red wire at junction block (Seville) or starter solenoid (exc. Seville).

**Headlights** – 18 gauge fusible link located in yellow wire at junction block (Seville) or starter (exc. Seville).

**Charging** – 16 gauge fusible link located in red white stripe wire at junction block.

### IN-LINE FUSE

**Vanity Mirror** – 2 amp. fuse located behind mirror.

**EFI Fuel Pump** – 10 amp. fuse located left of fuel injection electronic control unit orange wire (Seville) or the brown wire (exc. Seville).

**Theft Deterrent** – 20 amp. fuse for lights located in yellow wire above glove box (Seville) or above radio (exc. Seville). 25 amp. fuse for horn located in black/yellow stripe wire above glove box (Seville) or black/red stripe wire above radio (exc. Seville).

Hazard Warning Flasher

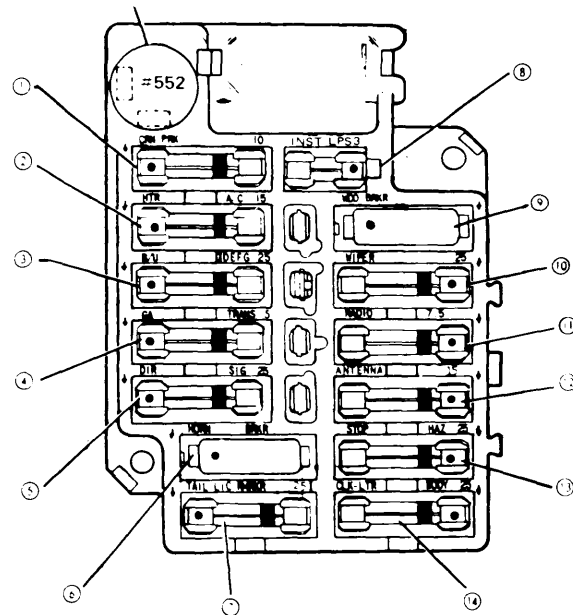


Fig. 1 Fuse Block for Eldorado and Seville

### ELDORADO & SEVILLE FUSE BLOCK CIRCUITS

- ① – 10 amp. Cornering lights, front marker lights, right door ash tray light, park lights, ash tray light.
- ② – 15 amp. Air conditioner relay coil, amplifier and control head, cruise control, air conditioner low blower.
- ③ – 25 amp. Back-up lights, downshift solenoid.
- ④ – 5 amp. Oil telltale, fuel gauge, brake telltale, seat belt warning, coolant temperature telltale, fuel economy indicators, alternator telltale, trunk telltale.
- ⑤ – 25 amp. Turn signal lights.
- ⑥ – Circuit Breaker Engine temperature telltale, horns, power seats, power door locks, key warning buzzer.
- ⑦ – 25 amp. Tail, license and marker lights, rheostat control feed.
- ⑧ – 3 amp. Rheostat controlled instrument panel lights.
- ⑨ – Circuit Breaker Power windows.
- ⑩ – 25 amp. Windshield wipers, washer fluid indicator.
- ⑪ – 7.5 amp. Radio.
- ⑫ – 20 amp. Power antenna, clock, glove box lamp, instrument panel courtesy lamp and cigar lighter.
- ⑬ – 25 amp. Stop lights, hazard warning.
- ⑭ – 20 amp. Body feed, courtesy lamps and cigar lighter, trunk light.

## CADILLAC (Cont.)

## CADILLAC FUSE BLOCK CIRCUITS

- ① — 5 amp. Rheostat controlled instrument panel lamps.
- ② — 3 amp. Cruise control.
- ③ — 10 amp. Cornering, side marker and opera lamps, right door ash tray lamp, instrument panel ash tray lamp.
- ④ — 30 amp. Circuit Breaker. Power windows, trunk release and sunroof.
- ⑤ — 10 amp. Back-up lamps.
- ⑥ — 20 amp. Air conditioner compressor feed, amplifier feed and relay coil feed, alternator telltale.
- ⑦ — 10 amp. Antenna switch feed.
- ⑧ — 20 amp. Turn signal lamps.
- ⑨ — 20 amp. Stop lamps switch and hazard warning flasher.
- ⑩ — 20 amp. Oil pressure telltale, low brake telltale, coolant temperature telltale, fuel gauge, downshift switch, seat belt warning buzzer and lamp.
- ⑪ — 20 amp. Clock, key warning buzzer, engine temperature telltale, glove box lamp, instrument panel cigar lighter and courtesy lamps.
- ⑫ — 30 amp. Circuit Breaker Power door locks, seats and horn.
- ⑬ — 7.5 amp. Radio
- ⑭ — 20 amp. Electronic fuel injection.
- ⑮ — 20 amp. Body courtesy lamps and cigar lighters.
- ⑯ — 25 amp. Windshield wipers, theft deterrent cut-off, washer fluid level telltale.
- ⑰ — 25 amp. Rear defogger.

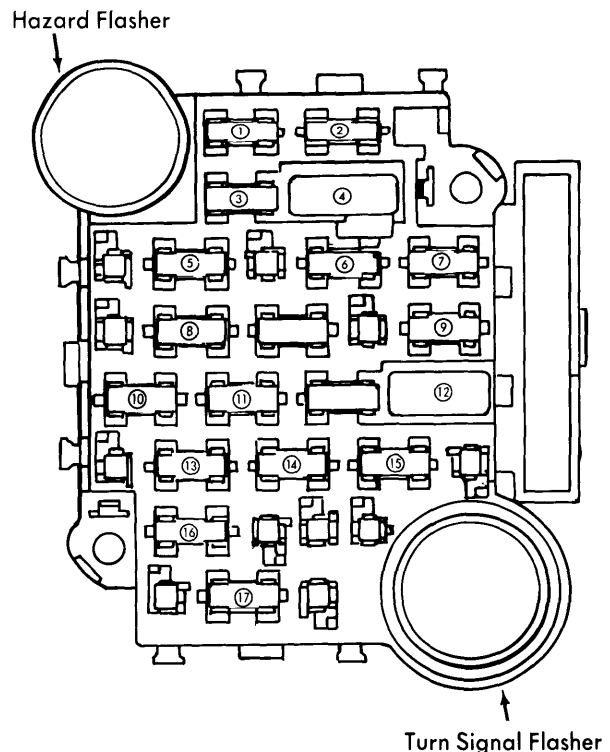


Fig. 2 Fuse Block for Cadillac (Except Seville and Eldorado)

## CHEVROLET

## FUSE BLOCK

Located under instrument panel near steering column.

## FLASHER LOCATION

**Hazard & Turn Signal** — Refer to Turn Signal & Hazard Flasher Systems in ACCESSORIES & EQUIPMENT Section.

## CIRCUIT BREAKERS

**Headlights** — Circuit breaker is integral with headlight switch to protect headlight circuit.

**Windshield Wiper** — Circuit breaker integral with windshield wiper switch to protect wiper circuit.

**Power Seats & Power Windows** — Circuit breaker is attached to firewall to protect electric motors.

## IN-LINE FUSES

**Air Conditioner** — 30 amp. fuse located in wire between air conditioner relay and junction block.

## FUSIBLE LINKS

Fuse link gauge size is marked on insulation and color matches wire being fused. Fuse links should always be four gauge sizes smaller than wire being fused.

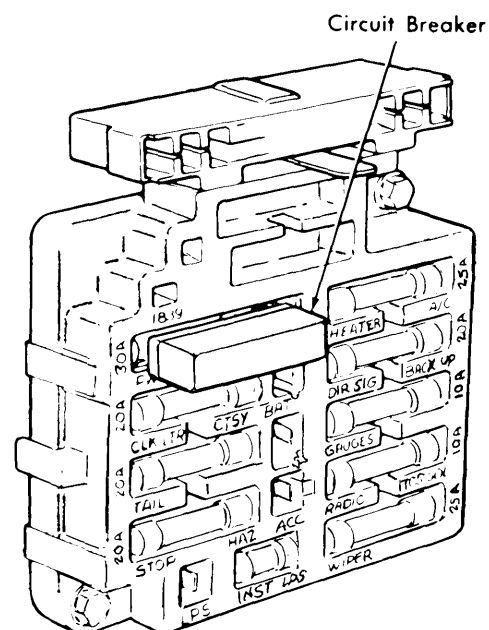


Fig. 1 Typical Fuse Block for Chevrolet