

## AMERICAN MOTORS

## FUSE BLOCK

**Hornet & Gremlin** — Fuse block is located under left side of instrument panel.

**Matador** — Fuse block is located on left side of glove box.

**Pacer** — Fuse block is located to the left of glove box. To gain access, slide latch at rear of glove box to left, and swing glove box forward.

## FLASHER LOCATION

**Hazard** — Refer to Turn Signal & Hazard Flasher Systems in ACCESSORIES & EQUIPMENT Section.

**Turn Signal** — Refer to Turn Signal & Hazard Flasher Systems in ACCESSORIES & EQUIPMENT Section.

## CIRCUIT BREAKERS

**Headlights** — 20 amp. circuit breaker in headlight switch.

**Windshield Wiper** — Pacer has an 8.25 amp. circuit breaker for windshield wipers and 4.5 amp. breaker for tail gate window wiper, both located at left side of brake support bracket. All other models have 6 amp. circuit breaker in wiper switch.

**Power Windows & Tailgate Switches** — All use 20 amp. circuit breakers located in instrument panel.

## FUSIBLE LINKS

**Red Wire** — Protects complete wiring; located at battery terminal of starter relay to main wire harness.

**Pink Wire** — Protects horn circuit; located in battery terminal of horn relay to main wire harness.

**Brown Wire** — Protects cigarette lighter, all accessories from fuse panel and electric windshield wiper; located in accessory terminal of ignition switch to wire harness.

**Red Wire** — Protects heated rear window; located in battery terminal of starter relay to heated rear window relay.

**Red Wire** — Protects tailgate regulator motor when operated by tailgate key switch; located in B-3 terminal of ignition switch to circuit breaker.

**NOTE** — Only one of the following yellow wire links are used in any one vehicle:

**Yellow Wire** — Protects tailgate regulator motor when operated by instrument panel switch; located in 1-3 terminal of ignition switch to circuit breaker.

**Yellow Wire** — Protects tailgate regulator and/or side window regulator motors; located in 1-3 terminal of ignition switch (single wire at switch splits into two feed wires).

**Yellow Wire** — Protects throttle stop solenoid, feed to interlock relay terminal No. 2; located in engine compartment harness at AV terminal of dash connector.

**Pink or Green Wire** — Protects feed to interlock relay terminal No. 1, feed to logic module pin No. 8 of 9-way connector; located at starter solenoid terminal of ignition switch to wire harness.

**Pink Wire** — Protects engine compartment light; located between battery terminal of starter and engine compartment light (Pacer).

**Red Wire** — Protects air conditioner blower motor relay; located in battery terminal of starter solenoid to motor relay (Pacer).

**Brown Wire** — Protects alternator indicator; located in engine compartment harness at AV terminal of dash connector (Pacer).

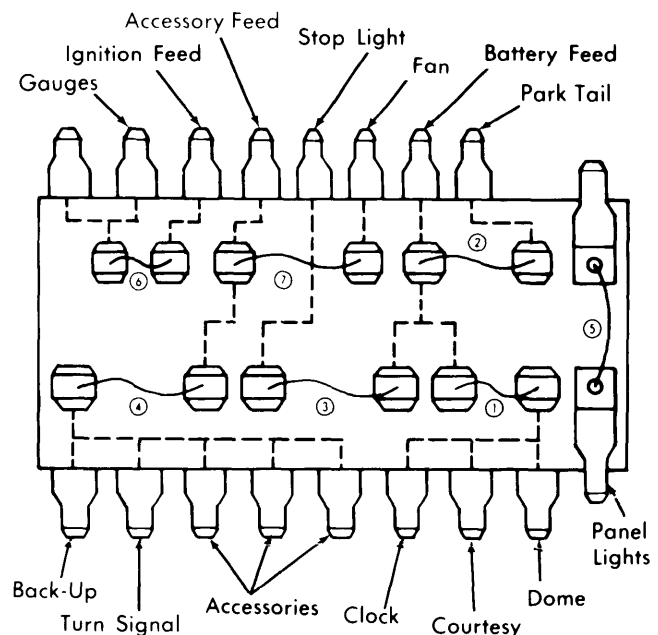


Fig. 1 Fuse Block for Hornet and Gremlin

## HORNET &amp; GREMLIN FUSE BLOCK CIRCUITS

- ① — 9 amp. Dome, cargo, courtesy, glove box and trunk lights, and clock feed.
- ② — 14 amp. Parking, tail, license plate and side marker lights.
- ③ — 20 amp. Stop light and hazard warning flasher.
- ④ — 20 amp. Turn signal and back-up lights, windshield washer, radio light and feed.
- ⑤ — 2½ amp. Panel illumination lights.
- ⑥ — 4 amp. Gauges, alternator, oil pressure and brake warning lights, and seat belt system.
- — 20 amp. Blower motor and air conditioning clutch.

## AMERICAN MOTORS (Cont.)

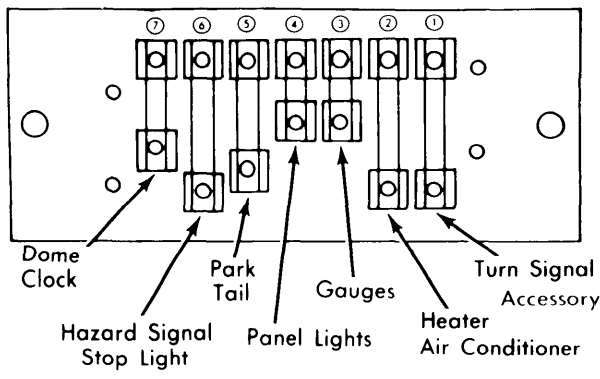


Fig. 2 Fuse Block for Pacer

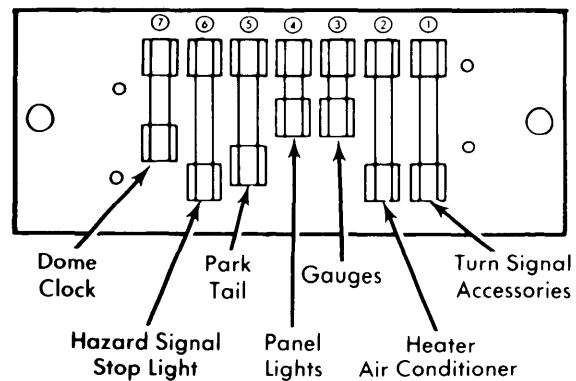


Fig. 3 Fuse Block for Matador

### PACER FUSE BLOCK CIRCUITS

- ① — 20 amp. Turn signal lights and indicator, back-up lights, radio feed, Cruise Command and overdrive.
- ② — 20 amp. Blower motor and air conditioner clutch.
- ③ — 4 amp. Gauges, alternator, oil pressure, parking brake, fuel economy and engine temperature warning lights, and seat belt system.
- ④ — 4 amp. Panel illumination lights.
- ⑤ — 14 amp. Park, tail, license and side marker lights.
- ⑥ — 20 amp. Stop light and four-way flasher and indicators.
- ⑦ — 9 amp. Dome, courtesy, glove box and cargo lights, and clock feed.

### MATADOR FUSE BLOCK CIRCUITS

- ① — 20 amp. Turn signal lights and indicator, back-up lights, radio feed, Cruise Command and windshield washer.
- ② — 20 amp. Blower motor and air conditioner clutch.
- ③ — 4 amp. Gauges, alternator, oil pressure and brake warning lights, seat belt system, and electric rear window defogger.
- ④ — 4 amp. Gearshift light and panel illumination.
- ⑤ — 14 amp. Park, tail, license and side marker lights.
- ⑥ — 20 amp. Stop lights, hazard flasher and indicator.
- ⑦ — 9 amp. Dome, rear shelf, cargo area, courtesy, glove box and trunk lights, and clock feed.

## BUICK

### FUSE BLOCK

**CAUTION** — If equipped with Air Cushion Restraint System, do not attempt any service on instrument panel or components until the ignition switch is in "LOCK" position and battery ground cable is disconnected, and terminal end taped. This must be done to prevent accidental release of A.C.R. system.

Fuse block is centrally located on cowl under left side of instrument panel.

### FLASHER LOCATION

**Hazard** — Refer to Turn Signal & Hazard Flasher Systems in ACCESSORIES & EQUIPMENT Section.

**Turn Signal** — Refer to Turn Signal & Hazard Flasher Systems in ACCESSORIES & EQUIPMENT Section.

### FUSIBLE LINKS

All models are equipped with fusible links which attach to lower ends of the main feed wires and connect to starter solenoid. One fusible link is in No. 12 RED wire circuit for headlights. Another fusible link is in No. 10 RED wire for all other circuits except headlights.

### CIRCUIT BREAKERS

**Fuse Block** — See Fig. 2 and 3 for circuits using circuit breakers.

**Headlight Circuit** — A thermo circuit breaker is incorporated in the headlight switch assembly to protect headlight circuits.

**Windshield Wiper** — Integral with windshield wiper switch.

## BUICK (Cont.)

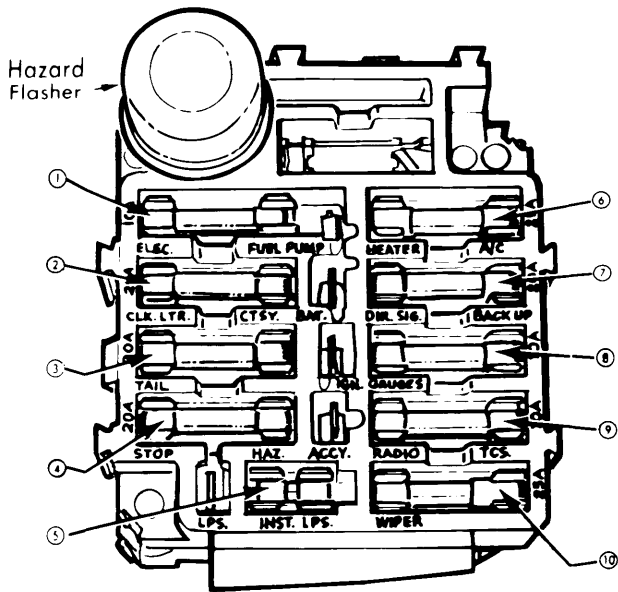


Fig. 1 Fuse Block for Skyhawk and Skylark

### SKYHAWK & SKYLARK FUSE BLOCK CIRCUITS

- ① — 10 amp. Electric fuel pump (Skyhawk), 30 amp. Power accessory (Skylark).
- ② — 20 amp. Clock, cigar lighter, courtesy light.
- ③ — 20 amp. Tail lights.
- ④ — 20 amp. Stop lights, hazard warning.
- ⑤ — 4 amp. Instrument illumination.
- ⑥ — 25 amp. Heater & air conditioning.
- ⑦ — 20 amp. Turn signals, back-up lights.
- ⑧ — 10 amp. Gauges. Seat belt warning (Skylark).
- ⑨ — 10 amp. Radio, TCS solenoid.
- ⑩ — 25 amp. Windshield wiper and washer.

- ③ — 20 amp. Tail, license, panel illumination, side marker & parking lights.
- ④ — 20 amp. Stop & hazard warning lights.
- ⑤ — 4 amp. Instrument panel illumination.
- ⑥ — Spare.
- ⑦ — 10 amp. Gauges, indicator lights and seat belt warning system.
- ⑧ — 20 amp. Turn signals, back-up lights, rear defogger, deck lid release.
- ⑨ — 25 amp. Heater and A/C blower, compressor clutch, tailgate ajar and power window relay.
- ⑩ — 10 amp. Radio, map light, cruise control.
- ⑪ — 25 amp. Windshield wiper and washer.

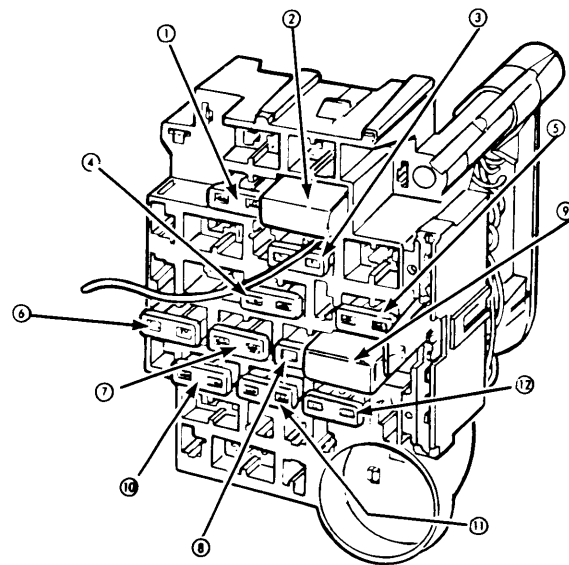


Fig. 3 Fuse Block for Le Sabre, Estate, Electra, and Riviera

### LE SABRE, ESTATE, ELECTRA & RIVIERA FUSE BLOCK CIRCUITS

- ① — 5 amp. Instrument illumination lamps, headlamp on warning.
- ② — 30 amp. Circuit Breaker. Power windows and roof.
- ③ — 25 amp. Heater and air conditioning, radio capacitor.
- ④ — 25 amp. Windshield wiper and washer.
- ⑤ — 20 amp. Stop and hazard lamps.
- ⑥ — 20 amp. Seat belt light and buzzer, cruise control, heated backlight relay, deck lid release, electric choke, maplight and fuel economy lamps, instrument gauges and indicator lamps.
- ⑦ — 20 amp. Tail, side marker, park, cornering and license lamps, clock radio.
- ⑧ — 10 amp. Radio.
- ⑨ — 30 amp. Circuit Breaker. Power seat, door locks, heated backlight feed, tailgate window.
- ⑩ — 20 amp. Turn signals and back-up lamps.
- ⑪ — 20 amp. Clock, cigar lighter, speed/key buzzer, power antenna, pulse wiper, clock radio, glove box lamp.
- ⑫ — 20 amp. Trunk, reading and vanity lamps, dome and sail panel lamps, headlamp on warning, automatic door locks, tailgate ajar, rear cigar lighters.

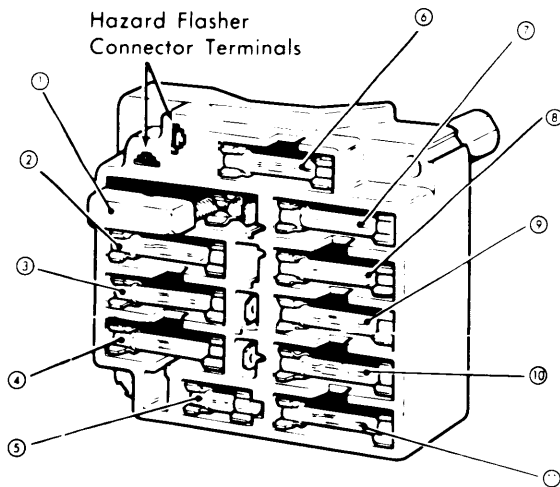


Fig. 2 Fuse Block for Regal and Century

### REGAL & CENTURY FUSE BLOCK CIRCUITS

- ① — 40 amp. Circuit Breaker. Power windows, power seats, heated rear window, door locks, sun roof, pulse wipers.
- ② — 20 amp. Courtesy, glove box, dome and trunk lights, clock, cigar lighter.