

## CHEVROLET

## Chevrolet

## All Models (Exc. Monza &amp; Vega)

**NOTE** — For Monza and Vega, See General Motors "H" Body in this section.

## DESCRIPTION &amp; OPERATION

**Fuel Gauge** — Circuit consists of an electrically operated indicator in instrument cluster and a float-type sending unit in fuel tank. Gauge pointer operation is controlled by the changing resistance in sending unit variable rheostat float mechanism.

**Oil & Temperature Indicator** — If oil pressure drops below a safe level or coolant temperature reaches 258°F, electrically operated sending units on engine will complete circuit to ground causing appropriate indicator light to come on.

**Alternator Indicator** — Warning light circuit is designed to turn light on when ignition is on and engine is not running, or if a malfunction in the charging circuit occurs after engine has been started and accelerated above 900 RPM.

## TESTING

## GAUGES

Use suitable gauge tester (J-22344) to check gauge, circuits, and sending units. Repair or replace gauge, wires, or sending units as required.

## INDICATOR WARNING LIGHTS

**Oil Pressure** — If light does not come on with ignition on and engine not running, check for burned out bulb, light circuit open, or defective sending unit. If light remains on when engine is running above idle speed, check for grounded wire between bulb and sending unit, defective sending unit, or low oil pressure.

**Coolant Temperature** — If "HOT" indicator fails to light when cranking engine, check for burned out bulb, open light circuit, or defective ignition switch. If indicator light remains on with engine running, check for ground in wire between bulb and sending unit, a defective sending unit or ignition switch, or excessive coolant temperature.

**Alternator Indicator** — If light remains on when ignition is off, check for shorted alternator positive diode. If light remains off when ignition is on, but the engine is not running, check for burned out indicator bulb, an open light circuit, or an open in alternator field. If light comes on with engine running above idle RPM, check alternator output, check for a shorted alternator negative diode or loose or broken alternator belt.

## STOP LIGHT SWITCH

If all stop lights fail to come on, or fail to turn off, check White wire terminal in steering column connector with test light. If test light does not come on, check switch for proper adjustment. If adjusted correctly, replace stop light switch.

## ADJUSTMENT

## STOP LIGHT SWITCH

Release brake pedal to normal position. Adjust switch in or out of bracket so lights come on when brake pedal is depressed .25-.64" (Corvette), .53" (13.5 mm Chevette), or .38-.64" (all others) from the normal position.

## REMOVAL &amp; INSTALLATION

## STOP LIGHT SWITCH

Disconnect wiring harness from switch, remove switch retaining nut (if equipped), and unscrew switch from bracket. To install, reverse removal procedure and adjust as required.

## CLUTCH START SWITCH

Vehicles with manual transmissions use a clutch start switch which prevents engine start unless the clutch pedal is depressed. The switch mounts on clutch pedal bracket.

**All Models (Exc. Corvette)** — To remove switch, unplug electrical connector from switch, compress actuating shaft retainer and disconnect shaft from clutch pedal. Remove switch and/or bracket for service as required. To install switch, reverse removal procedure, no adjustment is necessary.

**Corvette** — To remove switch, unplug electrical connector from switch. Remove retainer from link on clutch pedal arm. Remove screw fastening switch to pedal support and lift off switch. To install, reverse removal procedure.

## HEADLIGHT SWITCH

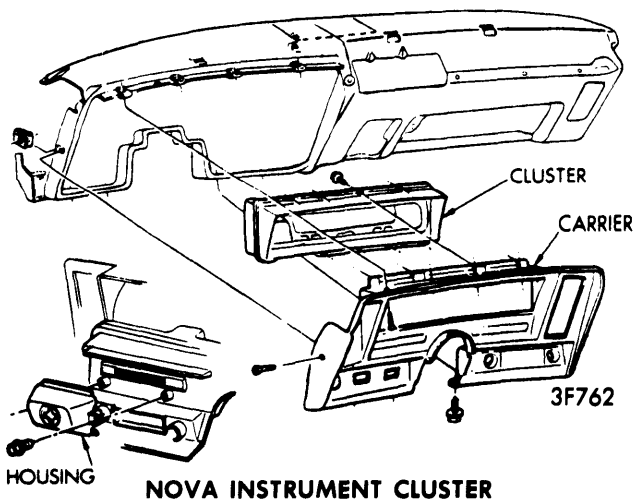
**Chevrolet, Chevette & Nova** — Disconnect battery. Place control knob in "ON" position. From under instrument panel release switch shaft retainer, pull knob and shaft assembly out. Remove ferrule nut and lift out switch assembly. Disconnect plug from light switch. To install, reverse removal procedure.

**Chevelle & Monte Carlo** — Disconnect battery. Remove instrument panel pad. Remove left radio speaker and pull switch control knob to "ON" position. From behind instrument panel release switch shaft retainer and remove shaft assembly. Remove ferrule nut and lift out switch assembly. To install, reverse removal procedure.

**Camaro** — Disconnect battery. Remove steering column lower cover (6 screws). Reach up under panel and depress switch shaft retainer, while pulling on shaft. Remove nut securing switch to carrier. Remove cluster carrier (4) screws in front, (2) screws from back of cluster lower edge (either side of steering column) and tilt right side of cluster out. **NOTE** — Grounding ring at cigar lighter housing may have to be freed for further movement of cluster carrier. Unplug connector from lighting switch and remove switch. To install, reverse removal procedure.

**Corvette** — Disconnect battery. Remove screws securing mast jacket trim covers, remove covers for access. Unclip and remove left side console forward trim panel so that left side instrument cluster may be lowered for access to switch. Lower

## CHEVROLET (Cont.)



steering column. Remove screws and washers securing left instrument panel to door opening, top of dash and left side of center instrument panel. Pull cluster assembly down and then tip forward for access to switch. Depress switch shaft retainer and remove knob and shaft assembly. Remove switch retaining bezel. Disconnect vacuum hoses from switch (mark for reassembly). Pry connector from switch and remove switch. To install, reverse removal procedure.

### INSTRUMENT CLUSTER

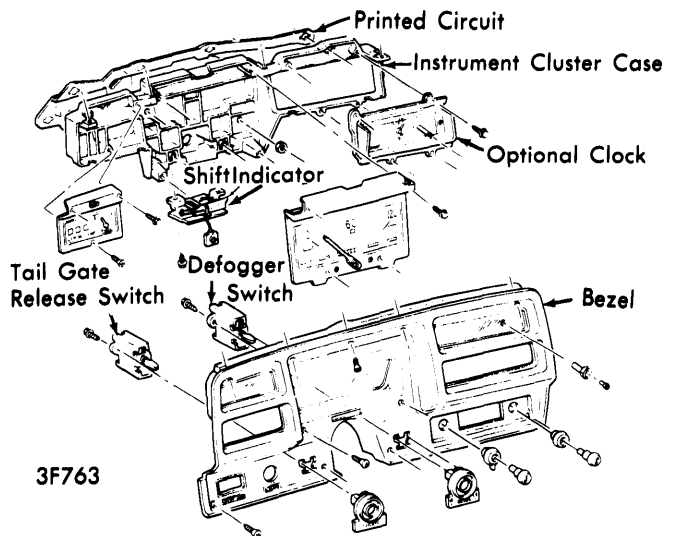
**Nova** – Disconnect battery. Lower steering column. Remove 3 screws above front of heater control securing it to cluster. Remove radio control knobs, washers, bezel nuts and front support at lower edge of cluster (allows radio to remain in panel). Remove screws at top, bottom and sides of cluster. Tilt console forward and reach behind to disconnect speedometer cable, speedminder and electrical plug connectors. After removing screws, lift cluster out of carrier. To install, reverse removal procedure.

**Camaro** – Disconnect battery. Remove 6 screws (2 above ash tray) securing trim cover beneath steering column. Reach under cluster left side and depress headlamp switch shaft retainer button, while pulling on switch knob. Remove headlamp switch retaining nut. Remove cigar lighter and housing. From rear of panel remove screw on either side of steering column. Remove 4 screws on front of carrier and one screw retaining ground wire for wiper switch. Tilt carrier out (for access) and remove connector plugs on wiper and headlamp switches. Remove 8 screws securing cluster lens and 4 screws securing cluster. Disconnect PRNDL indicator from steering column. Reach behind cluster, depress speedometer cable housing tang on rear of cluster then tilt cluster forward. Remove connectors from printed circuit and clock then free harness from retainer clips. Remove cluster. To install, reverse removal procedure.

**Chevrolet** – Disconnect battery. Remove cigar knob and remove hidden screw (where knob was). Pull headlamp switch ON, then remove hidden screw above middle of shaft. Remove 2 screws at bottom corners of shroud and lift off shroud.

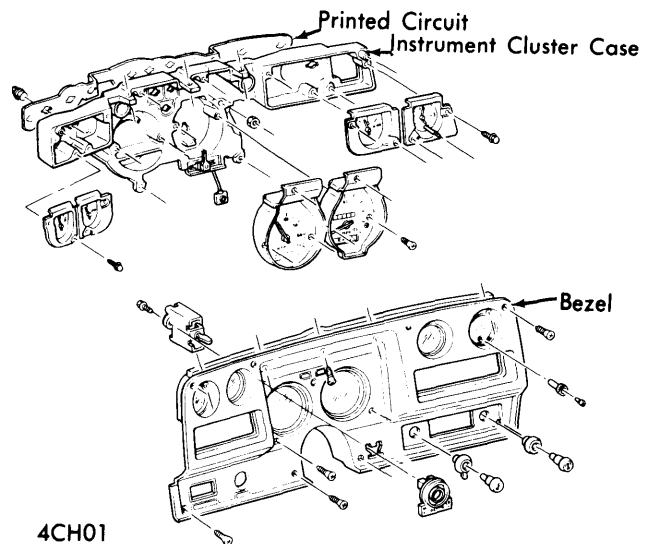
**Chevelle (Std.)** – Disconnect battery. Remove radio and clock stem knobs. Remove instrument bezel retaining screws.

Pull bezel out and disconnect tailgate release, (Station Wagon), or defogger switch. Remove retaining screws to speedometer head and lift head out. Remove clock mounting screws and lift out clock. Disconnect transmission shift indicator cable from steering column. Disconnect wiring and speedometer cable. Remove instrument cluster case. Remove fuel gauge and transmission shift indicator.



### CHEVELLE INSTRUMENT CLUSTER

**Monte Carlo & Chevelle SS** – Disconnect battery ground. Remove radio knobs and clock set knob. Remove instrument bezel retaining screws and pull bezel out. Disconnect rear window defogger switch (if equipped). Remove speedometer retaining screws and speedometer. Remove gauges for service as required. To install bezel, reverse removal procedure.

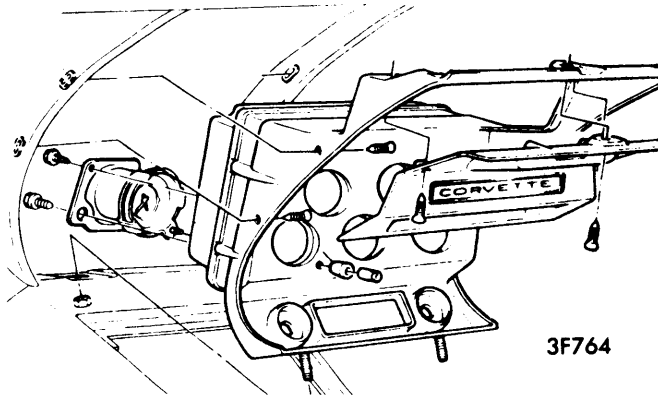


### MONTE CARLO & OPT. CHEVELLE INSTRUMENT CLUSTER

**Corvette (Left Side)** – Disconnect battery. Lower steering column. Remove screws and washers securing left instrument panel to door opening, top of dash and left side of center instrument panel. Unclip and remove floor console left forward trim panel. Pull cluster assembly slightly forward (for access). Remove speedometer cable housing nut, tachometer cable housing nut, headlight and ignition switch connectors and instrument lamps. To install, reverse removal procedure.

## CHEVROLET (Cont.)

**Corvette (Center Section)** – Disconnect battery. Remove wiper switch trim plate screws, tip plate forward and remove connector. Lift trim plate out from cluster assembly. Unclip and remove right and left console forward trim pads. Remove nuts from studs at lower edge of cluster. Remove remaining screws retaining cluster assembly to instrument panel. Remove right instrument panel pad. Remove radio knobs, bezel retaining nuts and one radio support bolt (behind cluster assembly). Slide radio back towards firewall and pull cluster forward. Reach behind cluster, disconnect oil pressure line, wiring harness and bulbs. **CAUTION** – Center cluster trim plate is designed to collapse under impact. Do not pry cluster plate forward to gain access. Lift cluster assembly up and forward for removal. To install, reverse removal procedure.



CORVETTE INSTRUMENT CLUSTER

**Chevette** – Disconnect battery ground cable. Remove clock stem knob and four screws retaining cluster bezel and lens. Remove two nuts retaining cluster to panel, pull cluster outward, disconnect electrical connectors and speedometer cable, then remove cluster assembly. To install, reverse removal procedure.

## GAUGES &amp; SPEEDOMETERS

**Nova Fuel Gauge** – Disconnect negative battery cable. Reach behind cluster and remove cluster lamps and gauge wiring terminal nuts. Move printed circuit away from gauge and remove screws retaining gauge to cluster. Remove gauge assembly from housing and separate gauge from cover plate. To install, reverse removal procedure.

**Nova Speedometer** – With instrument cluster removed, separate rear cover from cluster assembly by removing retaining screws and bending ground strap away. Remove screws retaining speedometer and remove speedometer from rear cover. To install, reverse removal procedure.

**Camaro** – Remove instrument cluster, screws retaining speedometer to cluster or nuts retaining gauge to printed circuit. To install, reverse removal procedure.

**Chevrolet** – Remove instrument cluster shroud, screws retaining gauge or speedometer and electrical or cable connections to gauge. To install, reverse removal procedure.

**Chevelle & Monte Carlo** – Remove instrument panel bezel, screws retaining gauge or speedometer, and electrical or cable connections to gauge. To install, reverse removal procedure.

**Corvette Speedometer or Tachometer** – Remove left cluster assembly, odometer reset and speedometer connectors from rear of speedometer head, and retaining screws securing speedometer or tachometer to back of cluster. To install, reverse removal procedure.

**Corvette, All Other Gauges** – Remove center instrument cluster, then remove screws retaining appropriate gauge to cluster housing. To install, reverse removal procedure.

**Chevette** – Remove instrument cluster as previously described, then remove screws retaining appropriate gauge and remove gauge from cluster. To install, reverse removal procedure.

## PRINTED CIRCUITS

**Nova** – Remove instrument cluster and illumination and indicator lamps. Remove fuel gauge and clock terminal nuts retaining printed circuit to housing. Remove four screws retaining printed circuit to cluster housing and remove printed circuit. To install, reverse removal procedure.

**Camaro, Chevelle & Monte Carlo** – Remove instrument cluster, lamps, lamp sockets, mounting slugs, and printed circuit. To install, reverse removal procedure.