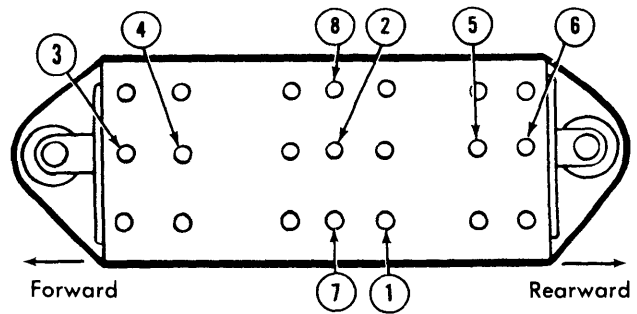


## FORD MOTOR CO. 6-WAY

### DESCRIPTION & OPERATION

The 6-way power seat provides horizontal, vertical, and vertical tilt adjustment. It consists of a reversible three armature motor, a switch and housing, vertical worm gear drives, and horizontal rack and pinion drives. Electrical circuit is protected by either a 20 or 30 amp. circuit breaker. Circuit breaker is mounted on starter solenoid on Ford, Mercury, Torino, Elite, Montego and Cougar models, and in the fuse panel on Thunderbird, Continental Mark IV and Continental models. Horizontal and vertical drive units are serviced individually. The motor, which contains three armatures, is serviced only as an assembly. Flexible drive shafts are serviced individually and can be removed by removing Corbin clamps.



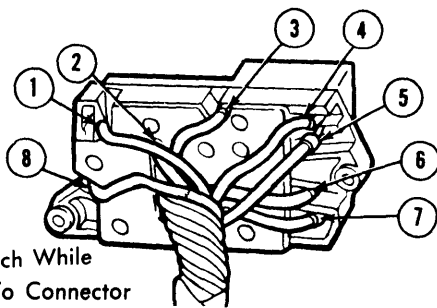
#### Switch Positions ①

4-WAY KNOB	REAR TILT	FRONT TILT	CONTINUITY
NEUT. (DEAD)	NEUT. (DEAD)	NEUT. (DEAD)	2-3-4-5-6-7-8, 1 ISOLATED
FORWARD	NEUT. (DEAD)	NEUT. (DEAD)	1-7, 2-3-4-5-6-8
REARWARD	NEUT. (DEAD)	NEUT. (DEAD)	1-8, 2-3-4-5-6-7
UP	NEUT. (DEAD)	NEUT. (DEAD)	1-4-6, 2-3-5-7-8
DOWN	NEUT. (DEAD)	NEUT. (DEAD)	1-3-5, 2-4-6-7-8
NEUT. (DEAD)	UP	NEUT. (DEAD)	1-6, 2-3-4-5-7-8
NEUT. (DEAD)	DOWN	NEUT. (DEAD)	1-5, 2-3-4-6-7-8
NEUT. (DEAD)	NEUT. (DEAD)	UP	1-4, 2-3-5-6-7-8
NEUT. (DEAD)	NEUT. (DEAD)	DOWN	1-3, 2-4-5-6-7-8

① — Test switch with test light or ohmmeter with switch disconnected from wiring harness.

4FO02

### SEAT MOUNTED SWITCH TEST

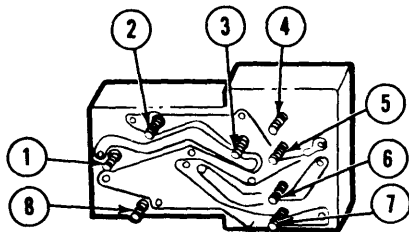


Test Switch While Attached To Connector

#### Switch Positions

4-WAY KNOB	REAR TILT	FRONT TILT	POWER ①	GROUND ①
NEUT.	NEUT.	NEUT.	3 ONLY	1-2-4-5-6-7
FORWARD	NEUT.	NEUT.	2-3	1-4-5-6-7-8
REARWARD	NEUT.	NEUT.	3-8	1-2-4-5-6-7
UP	NEUT.	NEUT.	3-4-6	1-2-5-7-8
DOWN	NEUT.	NEUT.	3-5-7	1-2-4-6-8
NEUT.	UP	NEUT.	3-6	1-2-4-5-7-8
NEUT.	DOWN	NEUT.	3-7	1-2-4-5-6-8
NEUT.	NEUT.	UP	3-4	1-2-5-6-7-8
NEUT.	NEUT.	DOWN	3-5	1-2-4-6-7-8

Use Self-Powered Test Light Or Ohmmeter



Switch Terminals ①

4FO01

#### Switch Positions

4-WAY KNOB	REAR TILT	FRONT TILT	CONTINUITY
NEUT.	NEUT.	NEUT.	1-2-4-5-6-7-8- (# 3 ISOLATED)
FORWARD	NEUT.	NEUT.	2-3, 1-4-5-6-7-8
REARWARD	NEUT.	NEUT.	3-8, 1-2-4-5-6-7
UP	NEUT.	NEUT.	3-4-6, 1-2-5-7-8
DOWN	NEUT.	NEUT.	3-5-7, 1-2-4-6-8
NEUT.	UP	NEUT.	3-6, 1-2-4-5-7-8
NEUT.	DOWN	NEUT.	3-7, 1-2-4-5-6-8
NEUT.	NEUT.	UP	3-4, 1-2-5-6-7-8
NEUT.	NEUT.	DOWN	3-5, 1-2-4-6-7-8

① — Terminal No. 1 is always grounded and terminal No. 3 is always power feed.

### ARM REST MOUNTED SWITCH TEST

### TESTING

#### NO SEAT MOVEMENT

The following checks can be of help in isolating a defective or malfunctioning component. Make checks in sequence indicated.

- 1) Check circuit breaker feed "in" and operating current "out". Check circuit for continuity from circuit breaker to control switch.
- 2) Check connector and harness from control switch on motor. Check motor for a good ground.
- 3) Check for stuck or binding mechanical components.

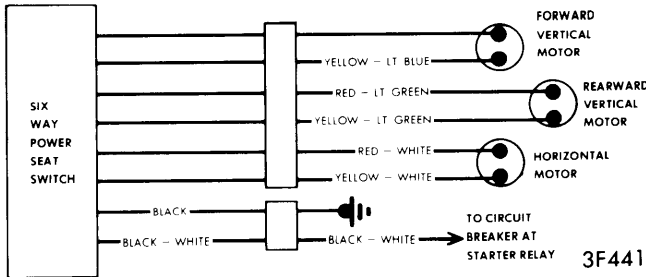
#### SOME SEAT MOVEMENT

If the seat will adjust in one or more planes but not in all, it can be assumed that current is available at control switch, therefore, an existing defect may be isolated as follows.

- 1) Test control switch for current "out" in each of the switch positions, see illustration for circuit identification on switch. Jiggle the switch button in each position to check for intermittent contact. Check wiring for continuity between control switch and motor connectors.

## FORD MOTOR CO. 6-WAY (Cont.)

2) Check for proper ground circuit of seat assembly and motor. Check each motor for rotation in both directions as current is applied to motor terminals. If any motor does not function in both directions it necessitates replacement of entire motor.



FORD MOTOR CO. SIX-WAY POWER SEAT WIRING  
(BENCH SEAT)

## COMPONENT REPLACEMENT

## SEAT TRACK

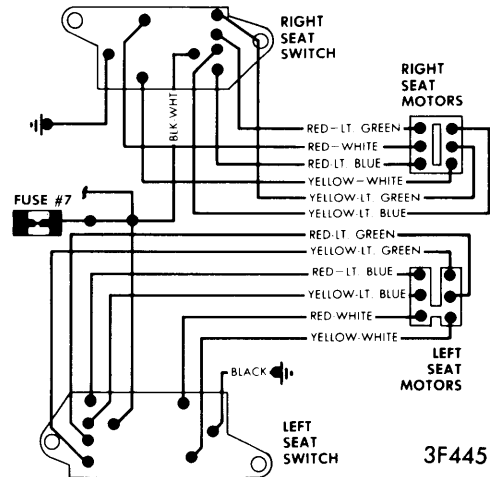
**Removal** - Seat sensor switch wiring must be disconnected before removing seat. Remove nuts or bolts retaining seat track to floor pan. Lift seat up enough to disconnect seat motor wires. Then remove two bolts attaching seat belts to floor. Remove seat and track assembly from vehicle.

2) Remove shield from outboard side of seat cushion (if equipped). Remove two bolts attaching each track to seat frame and remove track assembly from seat. To install, reverse removal procedure.

## MOTOR &amp; DRIVE CABLES

**Removal** - Seat sensor switch wiring must be disconnected before removing seat. Remove nuts or bolts retaining seat track to floor pan. Lift seat up enough to disconnect seat motor wires. Then remove two bolts attaching seat belts to floor. Remove seat and track assembly from vehicle.

2) Remove three motor-to-bracket attaching bolts. Remove clamps retaining drive cables to seat tracks. Then open wire retaining straps and remove motor assembly and cables from seat track assembly. Remove cable retaining brackets to remove cables from motor. To install, reverse removal procedure.



FORD MOTOR CO. SIX-WAY POWER SEAT WIRING  
(SPLIT BENCH)