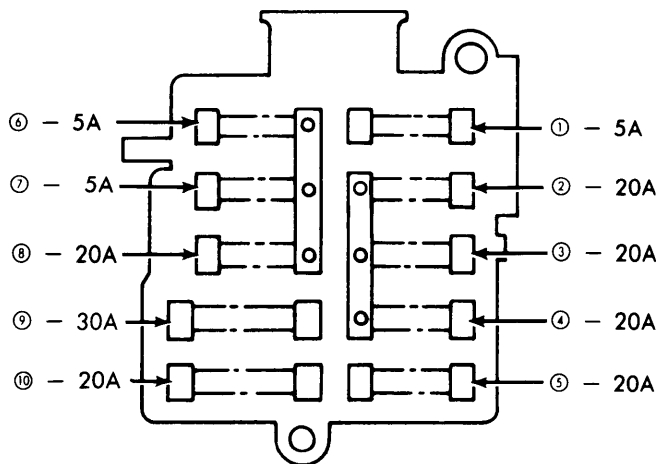


DODGE & PLYMOUTH (Cont.)



MONACO & GRAN FURY FUSE BLOCK

MONACO & GRAN FURY FUSE BLOCK CIRCUITS

- ① - Instrument cluster, windshield wiper switch title lamp, headlight switch title lamp, tailgate lock switch, rear window defogger, radio and clock lamps, cigar lighter, heater control lamp, air conditioning or automatic temperature control lamp.
- ② - Side marker, tail, license, parking, turn signal and instrument lamps.
- ③ - Cigar lighter, time delay relay for ignition switch lamp, key warning buzzer, stop lamps, dome lamp, glove box lamp, trunk lamp, map lamp.
- ④ - Horn (dual), horn relay.
- ⑤ - Dual brake warning lamp, oil pressure warning lamp, open door indicator lamp, high temperature warning lamp, electric trunk lid release, EGR lamp, seat belt lamp and buzzer, power window safety relay security alarm.
- ⑥ - Radio, tape deck.
- ⑦ - Voltage limiter, fuel gauge, temperature gauge, oil pressure gauge.
- ⑧ - Back-up lamps, turn signal lamps, turn signal flasher, speed control, rear window defogger.
- ⑨ - Air conditioning blower motor, heater blower motor, heated backlite, power door lock.
- ⑩ - Hazard flasher circuit.

FORD MOTOR CO.

FORD & MERCURY

FUSE BLOCK

Located left of steering column on firewall.

CIRCUIT BREAKERS

18 Amp. - Integral with headlight switch to protect headlight circuit and high beam indicator light.

15 Amp. - Integral with headlight switch to protect following: Tail, park, license and marker lights, horns and trailer towing tail light relay.

20 Amp. - Attached to starter relay except on 2-dr. Mercury models it is attached to fuse panel. Unit protects power windows (Ford 4-dr. and all Mercury) and power seats, automatic seatback latch solenoid feed, door locks, and engine compartment light (Mercury only).

20 Amp. - Attached to fuse panel for protection of power windows on Ford 2-dr. models only.

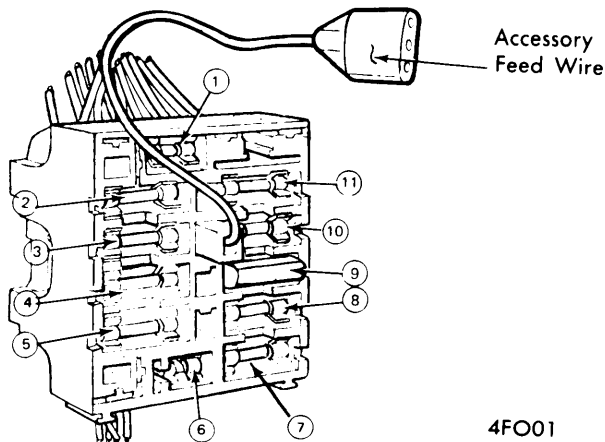
FUSIBLE LINK

A fusible link for protection of Automatic Temperature Control is found in engine compartment for high blower between battery feed and relay. A fusible link is also found in wiring harness to protect the following circuits: Engine compartment light, rear window de-ice, trailer towing brakes and lights, and electric choke.

IN-LINE FUSES

30 Amp. - Used on station wagons only to protect electric rear window de-ice and is found in feed wire under instrument panel behind windshield wiper switch.

20 Amp. - Used on Mercury models only to protect speed control unit and found in speed control feed wire.



4FO01

FORD & MERCURY FUSE BLOCK

FORD MOTOR CO. (Cont.)

FORD & MERCURY FUSE BLOCK CIRCUITS

- ① — 7.5 amp. Indicator lights — engine hot, oil pressure, throttle positioner, dual brake, seat belt, and parking brake, and alternator indicator light.
- ② — 15 amp. Radio, stereo tape deck, and power antenna (Mercury only).
- ③ — 20 amp. Windshield washer, power window relay coil feed, police accessory relay coil feed, cornering lamps, rear door cigar lighters, deck lid release, speed control system, and rear window de-ice relay control.
- ④ — 25 amp. Rear window (station wagon only) OR 20 amp. Circuit Breaker for Ford 2-dr. power windows.
- ⑤ — 8.25 amp Circuit Breaker Windshield wiper system.
- ⑥ — 4 amp. Instrument panel and cluster illumination, clock, radio, ash tray, headlight and windshield wiper switch, heater-air conditioner and ATC control.
- ⑦ — 20 amp Heater OR 30 amp Air conditioning or automatic temperature control.
- ⑧ — 20 amp. Back-up lights, turn signals, air conditioning or automatic temperature control clutch feed.
- ⑨ — 15 amp. Courtesy lamps, instrument panel, door, dome, glove box, cargo (station wagon only), & luggage compartment lights, clock feed, door lock solenoid, key warning buzzer, seat back latch relay control, anti-theft system, lighted visor vanity.
- ⑩ — 15 amp. Hazard warning system and stop lights.
- ⑪ — 15 amp. Cigar Lighter.

MONTEGO, TORINO, COUGAR & ELITE

FUSE BLOCK

Located to left of steering column on firewall.

CIRCUIT BREAKERS

Circuit Breaker — Integral with windshield wiper switch to protect 2-speed and interval windshield wipers.

Circuit Breaker — Located in motors to protect electric motors for windows and seats.

18 Amp. — Integral with headlight switch to protect headlight circuit.

15 Amp. — Integral with headlight switch to protect following: Rear, parking, license plate and side marker lamps, and horns.

20 Amp. — Attached to starter relay to protect following: Automatic seatback latch, electric windows, power seats, power rear windows (station wagons).

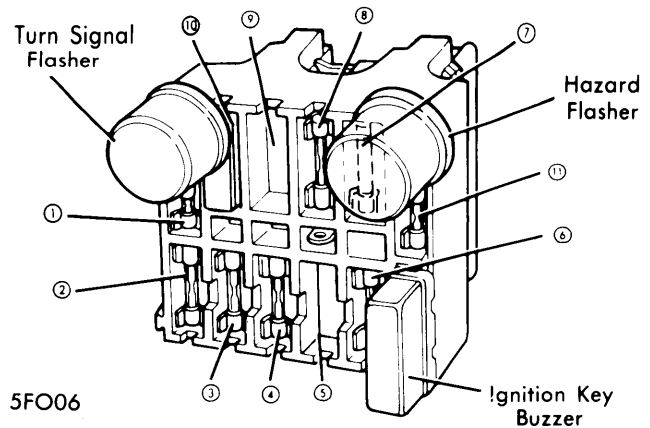
FUSIBLE LINK

14 Gauge — In wiring to protect electric rear window defroster.

16 Gauge — In wiring to protect trailer towing.

17 Gauge — In wiring to protect air conditioning or automatic temperature control.

20 Gauge — In wiring to protect engine compartment lamp.



MONTEGO, TORINO, COUGAR & ELITE FUSE BLOCK

MONTEGO, TORINO, COUGAR & ELITE FUSE BLOCK CIRCUITS

- ① — 4 amp. Instrument panel illumination lamps.
- ② — 20 amp. Heater OR 30 amp. air conditioning or automatic temperature control.
- ③ — 20 amp. Turn signal, back-up lamps, air conditioning compressor clutch.
- ④ — 15 amp. Courtesy and glove box lamps, key warning buzzer, headlamp warning buzzer, seat back latch and clock.
- ⑤ — 15 amp. Stop lamps.
- ⑥ — 15 amp. Cigar lighter.
- ⑦ — 15 amp. Radio.
- ⑧ — 20 amp. Windshield washer, power window safety relay coil, police accessories relay, speed control.
- ⑨ — 25 amp. Power tailgate OR 20 amp. Circuit Breaker Power windows.
- ⑩ — Blank.
- ⑪ — 7.5 amp. Warning lights.

GRANADA & MONARCH

FUSE BLOCK

Located in left side of lower instrument panel behind a cover.

CIRCUIT BREAKERS

18 Amp. — Integral with headlight switch to protect headlight circuit and horn circuit.

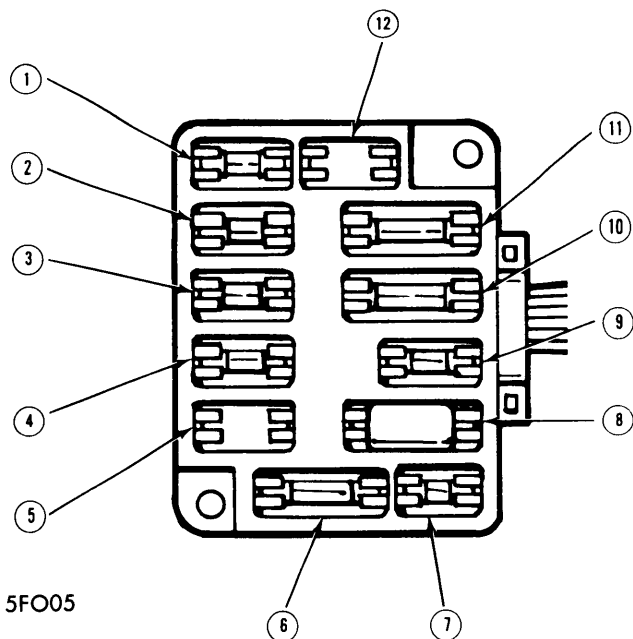
15 Amp. — Integral with headlight switch to protect following: Parking, side marker and license plate lamps.

20 Amp. — Attached to starter relay to protect following: Power windows (4-dr models), automatic seat back release and power door locks.

IN-LINE FUSES

14 Amp. — Used to protect Sure-Track brake system and located near hood hinge on left side of engine compartment.

FORD MOTOR CO. (Cont.)



GRANADA & MONARCH FUSE BLOCK

GRANADA & MONARCH FUSE BLOCK CIRCUITS

- ① — 15 amp. Heater OR 30 amp. Air conditioner.
- ② — 15 amp. Turn signals, back-up lights.
- ③ — 15 amp. Courtesy lamps, stop lamps.
- ④ — 20 amp. Horns, cigar lighter.
- ⑤ — 15 amp. Hazard flasher.
- ⑥ — 14 amp. Instrument panel warning lamps.
- ⑦ — Blank.
- ⑧ — 6 amp. Circuit Breaker Windshield wiper.
- ⑨ — 15 amp. Windshield washer, accessories.
- ⑩ — 20 amp. Power windows (2-dr. models).
- ⑪ — 7.5 amp. Radio, tape player.
- ⑫ — 4 amp. Instrument panel cluster lamps, automatic shift quadrant lamp.

MUSTANG II

FUSE BLOCK

Located above accelerator pedal on firewall.

CIRCUIT BREAKERS

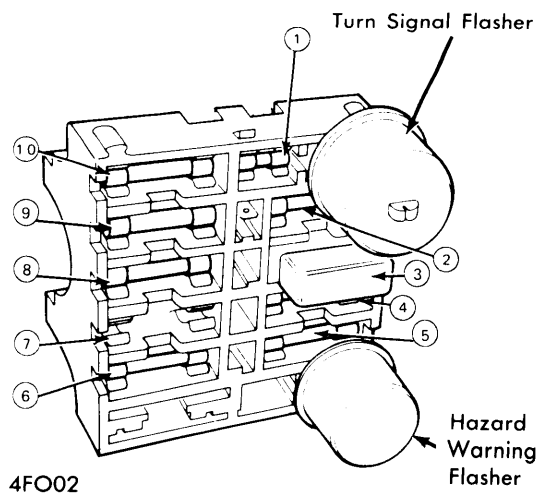
18 Amp. — Integral with headlight switch to protect headlight circuit and high beam indicator light.

15 Amp. — Integral with headlight switch to protect following: Tail, park, license plate, side marker and automatic shift indicator lamps.

6 Amp. — Attached to fuse panel for protection of windshield wiper motor.

FUSIBLE LINK

Fusible links give added protection to the following circuits: Electric rear window defroster, engine compartment lamp, and electric choke.



MUSTANG II FUSE BLOCK

MUSTANG II FUSE BLOCK CIRCUITS

- ① — 4 amp. Instrument panel lamps.
- ② — 7.5 amp. Oil, brake, and seat belt indicator lamps, seat belt buzzer, throttle solenoid positioner and emission control solenoid.
- ③ — 6 amp. Circuit Breaker Windshield wiper motor.
- ④ — 15 amp. Windshield washer motor, door ajar lamp, heated backlight control and indicator lamp, anti-theft module, and fuel economy lamp.
- ⑤ — 7.5 amp. Radio/tape player.
- ⑥ — 20 amp. Horn, and cigar lighter.
- ⑦ — 15 amp. Dome, glove box, map, trunk, door and instrument panel courtesy lamps, anti-theft module, horn feed, seat belt warning system feed, headlights "ON" indicator lamp, key and headlight "ON" warning buzzers.
- ⑧ — 15 amp. Stop and emergency warning lights.
- ⑨ — 15 amp. Heater OR 30 amp. Air conditioner.
- ⑩ — 15 amp. Back-up lamps and turn signal lamp.

MAVERICK & COMET

FUSE BLOCK

Located in lower instrument panel

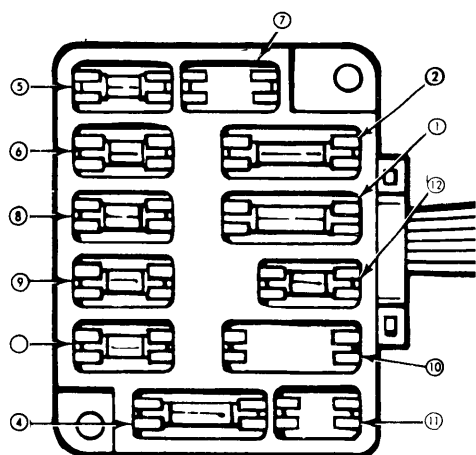
CIRCUIT BREAKERS

18 Amp. — Integral with headlight switch to protect headlight circuit.

15 Amp. — Integral with headlight switch to protect following: Parking, license plate, side marker and stop lamps, and horn circuit.

16 Amp. — Integral with windshield wiper switch to protect windshield wiper motor.

FORD MOTOR CO. (Cont.)



6FO04

MAVERICK & COMET FUSE BLOCK

MAVERICK & COMET FUSE BLOCK CIRCUITS

- ① — 15 amp. Cigar lighter and hazard flasher.
- ② — 15 amp. Dome, glove box and luggage compartment lamps, key buzzer.
- ③ — 4 amp. Instrument panel lamps and radio dial, heater and air conditioner lamps.
- ④ — 14 amp. Warning lamps, throttle positioner solenoid, or other emission control equipment.
- ⑤ — 15 amp. Heater/Defroster motor OR 30 amp. Air conditioner motor.
- ⑥ — 15 amp. Back-up lamps and turn signals.
- ⑦ — Blank.
- ⑧ — 7.5 amp. Radio.
- ⑨ — 15 amp. Windshield washer motor and accessories.
- ⑩ — Blank.
- ⑪ — Blank.
- ⑫ — Blank.

PINTO & BOBCAT

FUSE BLOCK

Located in lower instrument panel.

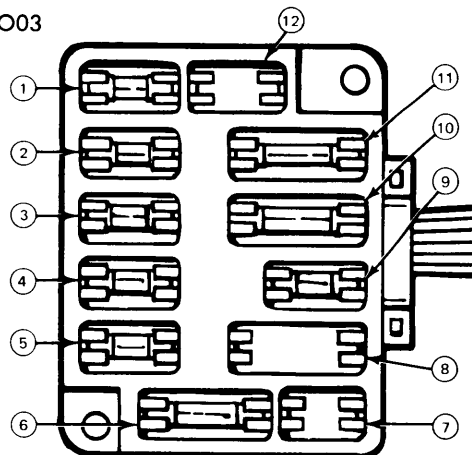
CIRCUIT BREAKERS

18 Amp. — Integral with headlight switch to protect headlight circuit and high beam indicator light.

15 Amp. — Integral with headlight switch to protect following: Parking, side marker and license plate lamps, and all instrument lamps.

4 Amp. — Integral with windshield wiper switch to protect windshield wiper motor.

5FO03



PINTO & BOBCAT FUSE BLOCK

PINTO & BOBCAT FUSE BLOCK CIRCUITS

- ① — 15 amp. Heater (optional 30 amp. air conditioner).
- ② — 15 amp. Turn signal, back-up lights.
- ③ — 7.5 amp. Radio.
- ④ — 15 amp. Windshield washer, rear window defogger system, anti-theft module.
- ⑤ — 4 amp. Instrument and panel illumination.
- ⑥ — 14 amp. Warning lights for; engine, brakes, seat belts, liftgate open and fuel economy. Power to; seat belt buzzer, fuel economy, and emission control solenoids.
- ⑦ — Blank.
- ⑧ — Blank.
- ⑨ — 4 amp. Horn, cigar lighter.
- ⑩ — 15 amp. Stop lights, hazard flashers.
- ⑪ — 15 amp. Dome, map, glove box, cargo and luggage compartment lamps, key and headlights "ON" warning buzzer.
- ⑫ — Blank.

LINCOLN CONTINENTAL

FUSE BLOCK

Located left of steering column on firewall above brake pedal.

CIRCUIT BREAKERS

Circuit Breaker — Located in motors to protect electric motors for power seats and power windows.

Circuit Breaker — Attached at motor assembly to protect motor for power door locks.

8.25 Amp. — Integral with wiper switch to protect windshield wiper circuit.

20 Amp. (18 Amp. With Autolamp) — Integral with headlight switch to protect headlight circuit and headlight "ON" warning buzzer.

20 Amp. (15 Amp. With Autolamp) — Integral with headlight switch to protect following: Parking, ash tray, marker, license plate and tail light lamps.

FORD MOTOR CO. (Cont.)

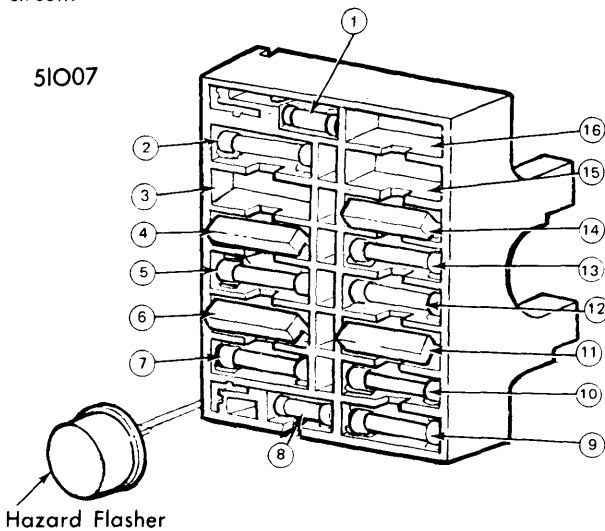
LINCOLN CONTINENTAL (Cont.)

FUSIBLE LINK

Fusible links are found in the wiring harness in engine compartment to protect the following: Electric de-ice, hood circuit, charging circuit, electric choke, automatic temperature control high blower (de-ice, defroster).

IN-LINE FUSE

4 Amp. — In wiring to protect automatic headlight dimmer circuit.



LINCOLN CONTINENTAL FUSE BLOCK

LINCOLN CONTINENTAL FUSE BLOCK CIRCUITS

- ① — 4 amp. Sure-Track brake system.
- ② — 7.5 amp. Indicator lights - door ajar, low fuel, seat belt, dual brake warning light, throttle positioner, emissions, parking brake warning system.
- ③ — Blank.
- ④ — 20 amp. Hazard flasher system, stoplights.
- ⑤ — 25 amp. Cigar lighter.
- ⑥ — 30 amp. Circuit Breaker Power seat, auto seatback release latch, door locks, horns, anti-theft warning.
- ⑦ — 15 amp. Courtesy lamps, doors, reading, luggage compartment, map and glove box lamps, clock feed, seat-back latch control, ignition key warning buzzer, headlights "ON" warning lamp.
- ⑧ — 6 amp. Instrument panel and cluster lamps, radio, clock, heater, air conditioning, windshield wiper, map light switch, transmission quadrant lamp.
- ⑨ — 7.5 amp. Speed control, windshield washer, de-ice control, anti-theft module control, backlite.
- ⑩ — 20 amp. Turn signal, back-up lamps, automatic temperature control compressor clutch.
- ⑪ — 30 amp. Automatic temperature control blower (low to medium high).
- ⑫ — 7.5 amp. Window safety relay coil, deck lid release control.
- ⑬ — 15 amp. Radio, power antenna.
- ⑭ — 20 amp. Circuit Breaker Power windows, deck lid release.
- ⑮ — 7.5 amp. Autolamp system OR Spare.
- ⑯ — 7.5 amp. Cornering lamps.

THUNDERBIRD & CONTINENTAL MARK IV

FUSE BLOCK

Located to left of steering column on firewall.

CIRCUIT BREAKERS

8.25 Amp. — Integral with wiper switch to protect windshield wiper circuit.

15 Amp. — Located in motor assembly to protect power seat and power window circuits.

15 Amp. (20 Amp. With Autolamp) — Integral with headlight switch to protect following: Parking, license plate, tail and marker lamps.

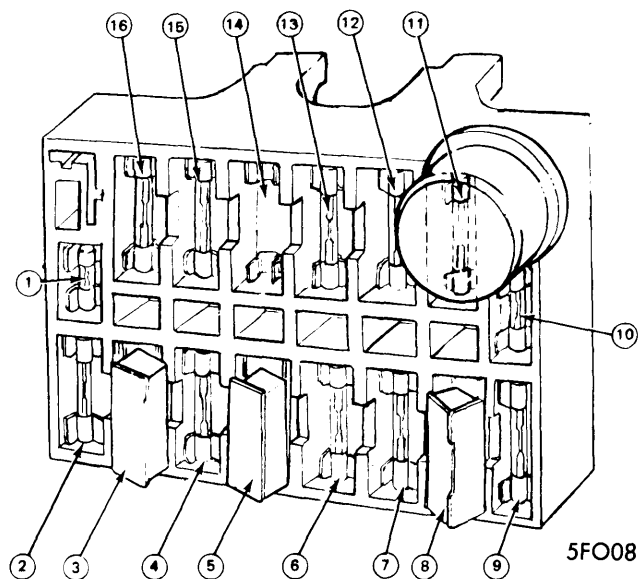
18 Amp. (20 Amp. With Autolamp) — Integral with headlight switch to protect headlight circuit and high beam light circuit.

FUSIBLE LINK

17 Gauge — In engine compartment near power brake booster to protect automatic temperature control "MAX" blower circuit.

IN-LINE FUSE

4 Amp. — In wiring near fuse panel to protect automatic dimmer circuit.



THUNDERBIRD & CONTINENTAL MARK IV FUSE BLOCK

THUNDERBIRD & CONTINENTAL MARK IV FUSE BLOCK CIRCUITS

- ① — 6 amp. Instrument panel and cluster lights, automatic temperature control, headlight switch, radio, ash tray, cigar lighters, clock, windshield wipers and PRND21 lights.

FORD MOTOR CO. (Cont.)

**THUNDERBIRD & CONTINENTAL MARK IV
FUSE BLOCK CIRCUITS**

- ② — 30 amp. (Thunderbird) Air conditioning, automatic temperature control blower OR 20 amp. (Mark IV) Autolamp, turn signals, back-up lights, automatic temperature control clutch.
- ③ — 30 amp. (Mark IV) Automatic temperature control blower OR 20 amp. (Thunderbird) Autolamp, turn signals, back-up lights, air conditioning clutch.
- ④ — 15 amp. Courtesy lights, glove box, luggage compartment, clock feed, dome lamp, seatback latch control, ignition key warning buzzer.
- ⑤ — 30 amp. Circuit Breaker Power seats, automatic seat-back release latch, horns.
- ⑥ — 30 amp. Electric de-ice, automatic temperature control blower (Mark IV).
- ⑦ — 20 amp. Cigar lighters (doors).
- ⑧ — Anti-theft module, hazard flasher system, stop lights.
- ⑨ — 20 amp. Cigar lighter (instrument panel), power door lock system.
- ⑩ — 4 amp. Sure-Track brake system.
- ⑪ — 15 amp. Power antenna, radio.
- ⑫ — 7.5 amp. Speed control, windshield washer, heated electric de-ice relay control, relay coil feed.
- ⑬ — 20 amp. Circuit Breaker Power windows, electric trunk lid (Mark IV).
- ⑭ — Blank.
- ⑮ — 7.5 amp. Cornering lamps.
- ⑯ — 7.5 amp. Door ajar, seat belt, low fuel, oil pressure, temperature, dual brake warning lights.

OLDSMOBILE

FUSE BLOCK

All Models — Fuse block is located under the instrument panel and mounted to the cowl.

CIRCUIT BREAKERS

Headlamps — Circuit breaker, located in headlamp switch.

Power Seat — Circuit breaker, located on fuse panel.

Power Windows — Circuit breaker, located on fuse panel.

FUSIBLE LINK

Two fusible links are incorporated in wiring system. A black fusible link at main chassis wiring harness junction block to protect main harness. A brown one at the starter solenoid protects the starting circuit.

IN-LINE FUSES

Air Conditioning — 30 Amp. In-line fuse, located at junction block to A/C harness.

Tempmatic — 30 Amp. In-line fuse, located at junction block to A/C harness.

A/C Compressor — Thermal Limiter, located at compressor harness.

Rear Window Defogger — 30 Amp. In-line fuse, located at junction block to defogger harness.

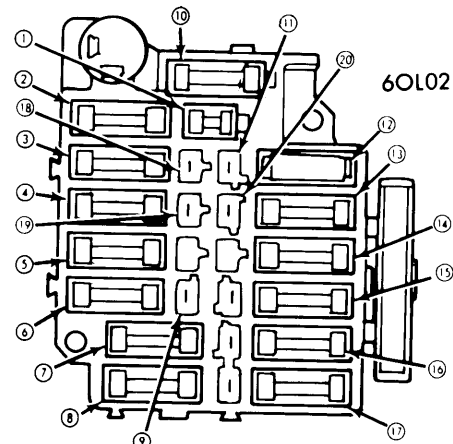
Tru-track Brake — 5 Amp. fuse In-line, located in Tru-track brake harness.

Power Antenna — 20 Amp. in-line fuse located in power antenna harness.

FLASHERS

Hazard — Located on fuse panel.

Turn Signal — In clip behind left side of instrument panel.



**88, 98, TORONADO & CUTLASS (EXC. 6 CYL. M/T)
FUSE BLOCK**

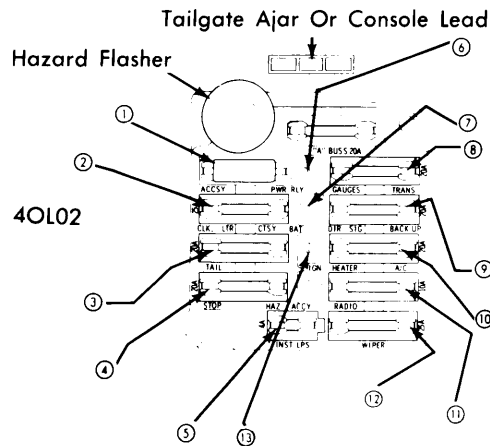
**88, 98, TORONADO
& CUTLASS (EXC. 6 CYL. M/T)
FUSE BLOCK CIRCUITS**

- ① — 4 amp. Instrument panel lights.
- ② — 20 amp. Turn signals, back-up lights, air cushion restraint.
- ③ — 20 amp. Transmission control, park brake light, cruise control, seat belt warning.
- ④ — 20 amp. Tailgate ajar.
- ⑤ — 20 amp. Heater, air conditioner, idle stop solenoid.
- ⑥ — 10 amp. Spare.
- ⑦ — 25 amp. Windshield wiper.
- ⑧ — 10 amp. Radio.
- ⑨ — Relay feed PINK wire to accessory junction block for power windows, seats, door locks, etc.
- ⑩ — 20 amp. Air Cushion restraint.
- ⑪ — Power feed ORANGE wire to accessory junction block for power windows, seat, door locks, etc.
- ⑫ — 40 amp. circuit breaker.

OLDSMOBILE (Cont.)

88, 98, TORONADO CUTLASS (EXC. 6 CYL. M/T) FUSE BLOCK CIRCUITS

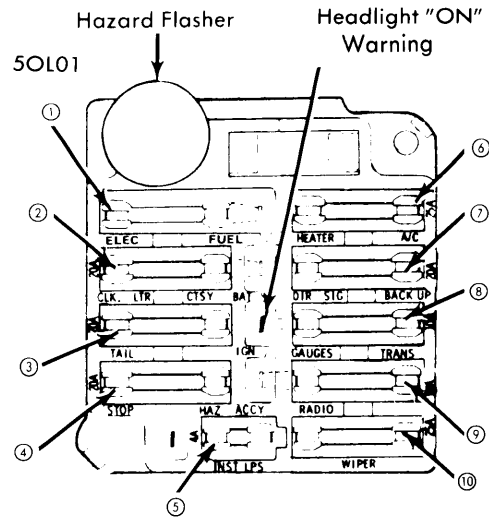
- ⑬ - 20 amp. Visor vanity (exc. Cutlass), dome; trunk & quarter panel lights, rear cigar lighter, power antenna, pulse wiper.
- ⑭ - 20 amp. Stop and hazard warning lights.
- ⑮ - 20 amp. Front cigar lighter, clock, courtesy lights.
- ⑯ - Spare
- ⑰ - 20 amp. Cornering lights (exc. Cutlass), tail, side marker, license and underhood lights.
- ⑱ - Connector - Cruise control and trunk release (exc. Cutlass).
- ⑲ - Connector - Low coolant and trunk release (Cutlass)
- ⑳ - Connector - Power antenna and pulse wiper.



CUTLASS 6 CYL. M/T FUSE BLOCK

CUTLASS 6 CYL. M/T FUSE BLOCK CIRCUITS

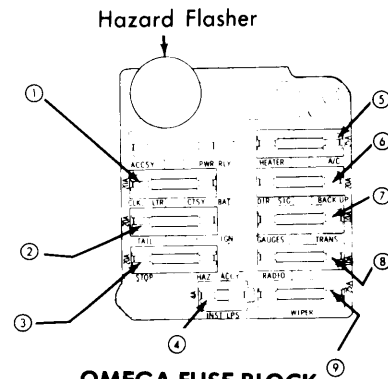
- ① - 40 amp. circuit breaker.
- ② - 25 amp. Dome light, cigar lighter, clock, courtesy lights, trunk light, glove box light.
- ③ - 20 amp. Tail lights, side marker lights, license light, underhood light.
- ④ - 20 amp. Stop lights and hazard warning light.
- ⑤ - 4 amp. Instrument panel lights.
- ⑥ - Power feed ORANGE wire to accessory junction block for power windows, seat, door locks.
- ⑦ - Radio capacitor, pulse wiper, vanity visor.
- ⑧ - 20 amp. Parking brake light, seat belt warning.
- ⑨ - 20 amp. Turn signals, back-up lights.
- ⑩ - 20 amp. Heater, air conditioner, defogger, power window relay.
- ⑪ - 10 amp. Radio.
- ⑫ - 25 amp. Windshield wipers.
- ⑬ - Relay feed PINK wire to accessory junction block for power windows, seats, door locks.



STARFIRE FUSE BLOCK

STARFIRE FUSE BLOCK CIRCUITS

- ① - 20 amp. Electric fuel pump.
- ② - 20 amp. Dome light, cigar lighter, clock.
- ③ - 20 amp. Tail & side marker lights.
- ④ - 20 amp. Stop & hazard warning lights.
- ⑤ - 4 amp. Instrument panel lights.
- ⑥ - 25 amp. Heater, air conditioner.
- ⑦ - 20 amp. Turn signals, back-up lights.
- ⑧ - 10 amp. Gauges, seat belt warning, low coolant warning, idle stop solenoid.
- ⑨ - 10 amp. Radio, defogger.
- ⑩ - 25 amp. Windshield wipers.



OMEGA FUSE BLOCK

OMEGA FUSE BLOCK CIRCUITS

- ① - 20 amp. Dome light, cigar lighter, clock, courtesy lights, trunk light, glove box light.
- ② - 20 amp. Tail lights, side marker lights, underhood light.
- ③ - 20 amp. Stop lights, hazard warning lights.
- ④ - 4 amp. Instrument panel lights.
- ⑤ - 25 amp. Heater, air conditioner.
- ⑥ - 20 amp. Turn signals & back-up lights.
- ⑦ - 10 amp. Gauges, seat belt warning.
- ⑧ - 10 amp. Radio, defogger, idle stop solenoid.
- ⑨ - 25 amp. Windshield wipers.