

Windshield Wipers

AMERICAN MOTORS – NON-CONCEALED

**Hornet
Gremlin
Matador 4-Door**

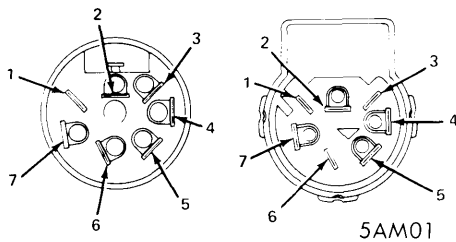
DESCRIPTION

Two speed electric wipers and washers are standard equipment on all series. Optional equipment, available on some series is an intermittent wiper system which provides a pause between wipe cycles for use in light rain conditions. Wiper arms are actuated by a link and pivot assembly attached to wiper motor. Wiper arms move in a tandem link motion, and park on right side of windshield. Do not move wiper arms manually from side to side or damage will result.

TESTING & TROUBLE SHOOTING

NOTE – Use the following to determine series names in the following chart. Use a test lamp or ohmmeter. Continuity should exist between terminals at various switch positions as shown.

- 01 – Hornet
- 40 – Gremlin
- 80 – Matador 4-Door



	STANDARD 01-40-80 Series	INTERMITTENT 01-40-80 Series
Off or Park	1-2 3-4	1-2 4-5
Low Speed	1-2-3	1-2 4-5 to Case 4-5
High Speed	1-2-5	1-2-3 4-5 to Case 4-5
Intermittent		1-2 4-5 to Case 4-5 Variable Resist 1.9K to 7K
Wash	1-2 6-7	1-2 6-7

CONTINUITY TEST CHART FOR WIPER SWITCHES

The variable resistance between #4 & #5 terminals must be checked with an ohmmeter. The resistance controls governor operation for intermittent wipe. Therefore, if intermittent wipe is inoperative, but system will operate at high and low speeds, this resistance should be checked. With intermittent switch control knob rotated to the full counterclockwise position the ohmmeter should read about 7000 ohms. With the knob turned to the full clockwise direction resistance should decrease to 600 ohms. If continuity and resistance do not exist as specified, switch must be replaced.

WIPER MOTOR TEST

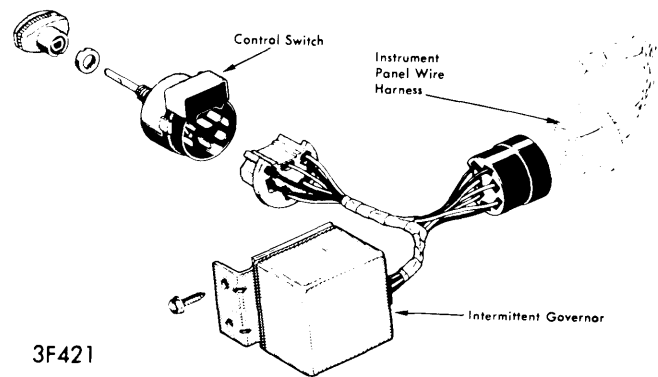
All Series – Remove wiper arms and blades. Disconnect motor lead. Connect positive lead of ammeter to positive battery post. Connect other ammeter lead to white wire terminal (low speed) of motor harness. Current draw should be about one Amp, but not more than three Amps. Next contact the blue wire terminal (high speed), current draw should be about the same.

WIPER MOTOR PARK TEST

All Series – Disconnect motor from harness connection. Temporarily connect a hot lead to either the white or blue wire to move wipers up from cowl. Insert a jumper wire from the white to black wire terminals. Contact a hot lead to red wire terminal of motor harness. Motor should operate until wipers have reached normal park position.

INTERMITTENT GOVERNOR DIAGNOSIS

To accurately check the intermittent governor would require electronic testing equipment. If the intermittent wipe cycle is not satisfactory, check the related components such as motor, control switch, and connecting wires. All components working properly would indicate a new governor must be installed.



INTERMITTENT GOVERNOR

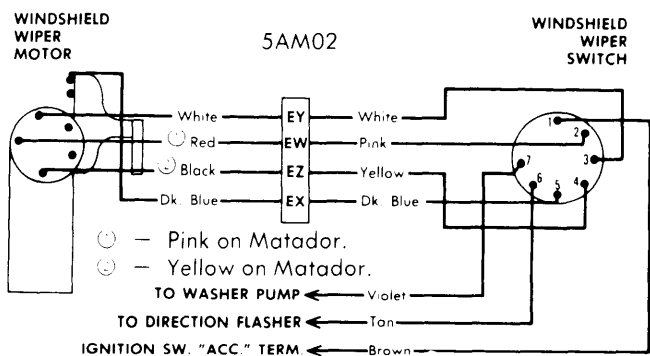
COMPONENT REPLACEMENT

WIPER MOTOR

All Series – Remove wiper arms and blades. Remove four screws holding motor to dash panel. Separate wiper motor harness connector at motor. Pull motor and linkage out from opening to expose drive link-to-crank stud retaining clip. Raise up lock tab of clip with a flat bladed screwdriver and slide clip off stud. Remove motor. To replace, reverse removal procedure.

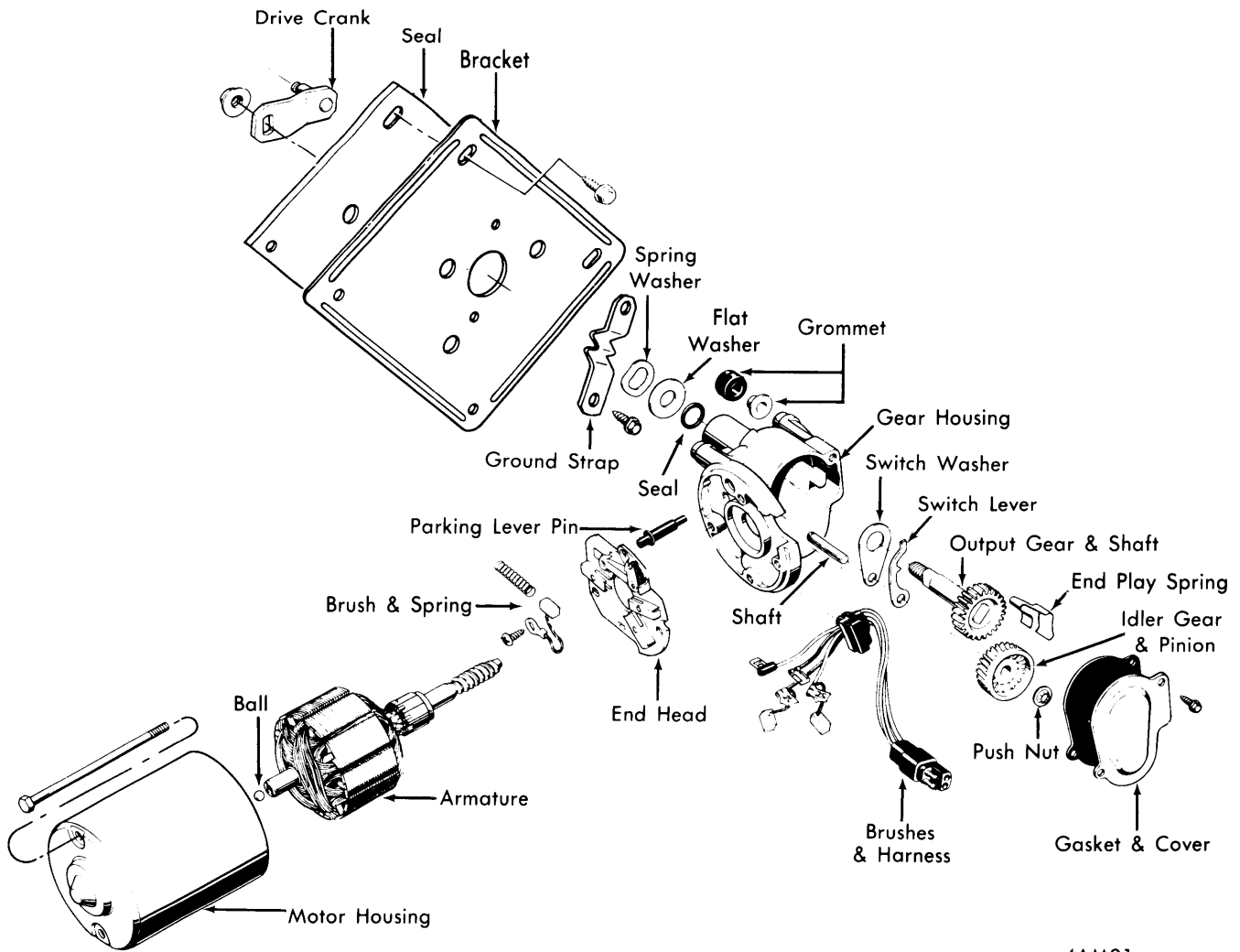
INTERMITTENT GOVERNOR

All Series – The electronic governor is contained in a two inch cube which is attached to an instrument panel bracket adjacent to wiper control switch. The longer, six inch lead plugs into the wiper control switch, and the four inch lead plugs into instrument panel harness. Remove bracket attaching screws and carefully separate governor connectors from switch and from main harness. To install, reverse removal procedure.



WIPER WIRING DIAGRAM

AMERICAN MOTORS – NON-CONCEALED (Cont.)



4AM01

WIPER MOTOR & TRANSMISSION