

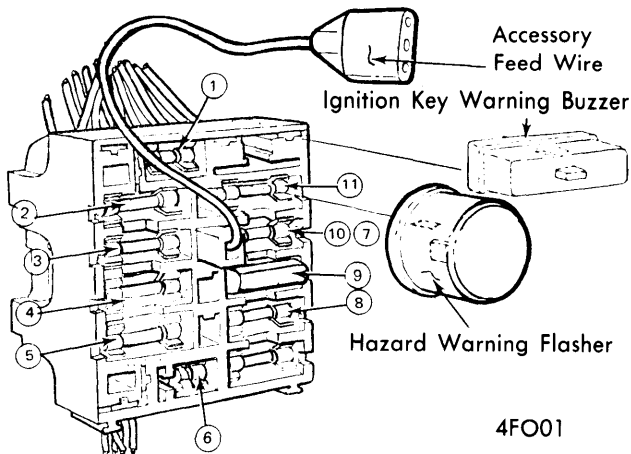
FORD MOTOR CO.

FUSE BLOCK

Ford, Meteor & Mercury — Located left of steering column on firewall.

TURN SIGNAL FLASHER

Located on left hand end of instrument panel sheet metal.



FORD, METEOR & MERCURY FUSE BLOCK

FORD, METEOR & MERCURY FUSE BLOCK CIRCUITS

- ① — 7.5 amp. Indicator lights — engine hot, oil pressure, throttle positioner, dual brake, seat belt, and parking brake (sure track system, Mercury only).
- ② — 15 amp. Radio (power antenna, Mercury only).
- ③ — 20 amp. Windshield washer, heated backlite, relay coil feed, power window relay coil feed, police accessory relay coil feed, cornering lamps, intrusion alarm system, rear door cigar lighters, deck lid release, defogger, speed control system (sure-track system, Mercury only).
- ④ — 8.25 amp. circuit breaker. Windshield wiper system.
- ⑤ — 20 amp. circuit breaker. Station wagon tailgate window.
- ⑥ — 4 amp. Instrument panel and cluster illumination, clock, radio, ash tray, headlight and windshield wiper switch, heater-air conditioner and ATC control.
- ⑦ — 20 amp. Back-up lights, turn signals, air conditioner clutch.
- ⑧ — 15 amp. Heater (30 amp. for air conditioned models).
- ⑨ — 15 amp. Courtesy lamps, instrument panel, door, dome, glove box, cargo (station wagon only), & luggage compartment lights, clock feed, door lock solenoid, key warning buzzer, seat back latch relay control, anti-theft system, lighted visor vanity.
- ⑩ — 15 amp. Hazard warning system and stop lights.
- ⑪ — 15 amp. Cigar Lighter.

FORD, METEOR, MERCURY FUSES & CIRCUIT BREAKERS NOT LOCATED IN FUSE BLOCK

18 Amp. C.B. — Located integral with headlight switch; protects headlight circuits.

15 Amp. C.B. — Located integral with headlight switch; protects parking lights, marker lights, license lights, tail lights, horns, trailer towing, tail light relay.

Fuse Link — Located in harness near fuse block; protects engine compartment light, heated rear window, trailer towing (brake), trailer towing lights load circuit.

8.25 Amp. C.B. — Located in fuse block; protects windshield wiper.

8.25 Amp. C.B. — Located in fuse block; protects intermittent windshield wiper.

20 Amp. C.B. — Located on starter relay; protects power windows, door locks, power seat, seat back latch solenoid feed.

30 Amp. Fuse — Located in-line near relay; protects heated rear window.

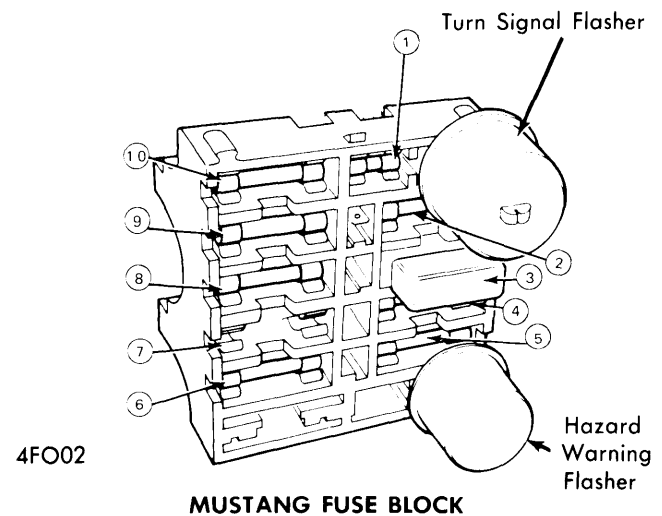
3 Amp. Fuse — Located in-line near fuse block; protects sure-track brake (Mercury only).

FUSE BLOCK

Mustang — Located above accelerator pedal on firewall.

FLASHERS

Flashers are located on fuse block.



MUSTANG FUSE BLOCK

MUSTANG FUSE BLOCK CIRCUITS

- ① — 4 amp. Cluster, heater or air conditioner control, radio, ash tray, and clock lights.
- ② — 7.5 amp. Oil, brakes, belts indicator lights, seat belt module, buzzer, throttle solenoid positioner.
- ③ — 6 amp. circuit breaker. Windshield wiper motor.
- ④ — 15 amp. Windshield washer pump, door ajar, park brake, headlight indicator lights, heater backlite control indicator light and anti-theft module.
- ⑤ — 7.5 amp Radio/tape player.
- ⑥ — 20 amp. Horn and cigar lighter.
- ⑦ — 15 amp. Dome light, glove box, map, trunk, door, instrument panel, courtesy, headlights indicator lights. Key, headlight warning buzzer, clock feed, anti-theft trigger, horn feed and seat belt module.
- ⑧ — 15 amp. Stop and emergency warning lights.
- ⑨ — 15 amp. Heater or 30 amp. Air Conditioner.
- ⑩ — 15 amp. Back-up lights.

FORD MOTOR CO. (Cont.)

MUSTANG FUSES & CIRCUIT BREAKERS NOT LOCATED IN FUSE BLOCK

18 Amp. C.B. — Located integral with headlight switch; protects headlight circuit.

15 Amp. C.B. — Located integral with headlight switch; protects parking, marker, license, tail lights, shift quadrant indicator light and headlights "ON" warning relay.

15 Amp. Fuse — Located in harness; protects back-up lights.

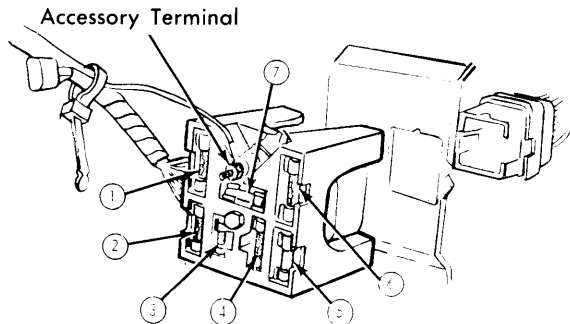
Fuse Links — A separate fuse link for each of the following protects heated backlite, load circuit, engine compartment light and electric choke.

FUSE BLOCK

Maverick & Comet — Located on firewall above and left of brake pedal.

FLASHERS

Turn signal flasher is located left of cluster on instrument panel lower flange. Hazard flasher is taped to harness between instrument panel and fuse block.



4FO03

MAVERICK & COMET FUSE BLOCK**MAVERICK & COMET FUSE BLOCK CIRCUITS**

- ① — 20 amp. Hazard warning flasher, cigar lighter and clock feed (console only).
- ② — 14 amp. Courtesy, dome, luggage compartment lights and ignition key warning buzzer.
- ③ — 4 amp. Instrument panel and cluster lights, radio, clock, and shift quadrant indicator illumination lights.
- ④ — 14 amp. Indicator lights, throttle positioner, emission control solenoid, and seat belt warning buzzer and light.
- ⑤ — 14 amp. Heater and defroster.
30 amp. Air conditioner.
- ⑥ — 15 amp. Back-up lights, radio feed and windshield washer.
- ⑦ — 20 amp. (RPO) Accessory feed, rear window defogger.

MAVERICK, COMET FUSES & CIRCUIT BREAKERS NOT LOCATED IN FUSE BLOCK

18 Amp. C.B. — Located integral with headlight switch; protects headlights.

15 Amp. C.B. — Located integral with headlight switch; protects horn, stop, front and rear marker, front parking, rear and license lights.

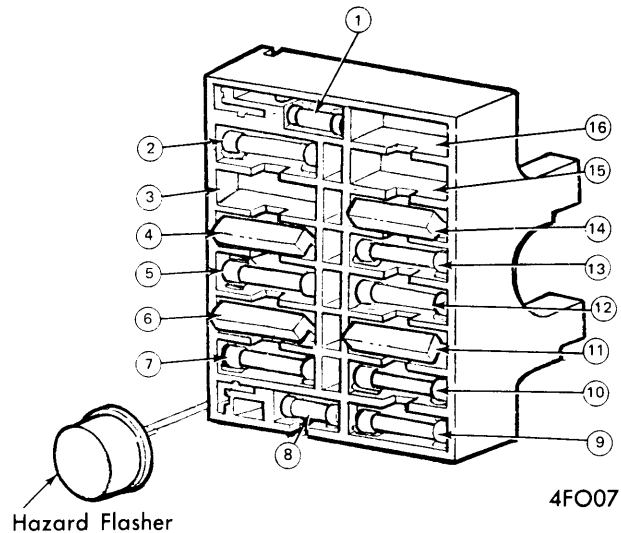
8 Amp. C.B. — Located integral with windshield wiper switch; protects wiper motor circuits.

FUSE BLOCK

Lincoln Continental — Located left of steering column on firewall above brake pedal.

FLASHERS

Lincoln — Turn signal flasher is located on right hand side of ash tray housing. Hazard flasher is on fuse block.



4FO07

LINCOLN CONTINENTAL FUSE BLOCK**LINCOLN CONTINENTAL FUSE BLOCK CIRCUITS**

- ① — Spare or 5 amp. Sure-track system.
- ② — 7.5 amp. Indicator lights — door ajar, low fuel, seat belt, dual brake warning light, throttle positioner, low vacuum indicator, air dump solenoid, air cleaner ambient switch.
- ③ — Blank
- ④ — 20 amp. circuit breaker. Hazard flasher and stop lights.
- ⑤ — 25 amp. Cigar lighters.
- ⑥ — 30 amp. circuit breaker. Power seat, horns, power seat latch, and door locks.
- ⑦ — 15 amp. Courtesy lights, doors, reading lights, luggage compartment, map light, glove box light, clock feed, seat back latch control, ignition key warning buzzer, dome lamp sun visor lights.
- ⑧ — 6 amp. Instrument panel and cluster lights, radio, clock, heater — air conditioner, windshield wiper, map light switch, and shift quadrant illumination light.
- ⑨ — 7.5 amp. Speed control, windshield washer, rear window defroster, anti-theft module.
- ⑩ — 15 amp. Turn signal, corning & back-up lights, air conditioning clutch.
- ⑪ — Blank
- ⑫ — 7.5 amp. Window relay coil feed and also controls trunk lid circuit
- ⑬ — 15 amp. Radio and power antenna.
- ⑭ — 20 amp. circuit breaker. Power windows, electric luggage compartment release.
- ⑮ — Blank or 7.5 amp. Auto headlights.
- ⑯ — 7.5 amp. Cornering lights.

FORD MOTOR CO. (Cont.)

LINCOLN CONTINENTAL FUSES & CIRCUIT BREAKERS NOT LOCATED IN FUSE BLOCK

20 Amp. C.B. — Located integral with headlight switch; protects headlights and high beam.

20 Amp. C.B. — Located integral with headlight switch; protects parking lights, license plate light, tail lights, ash tray light, marker lights, headlight "ON" warning relay control.

8.25 Amp. C.B. — Located integral with wiper switch; protects wiper motor circuits.

4 Amp. Fuse — Located in-line; protects automatic headlight dimmer.

Fuse Links — A separate fuse link protects each of the following; heated backlite, load circuit, electric choke.

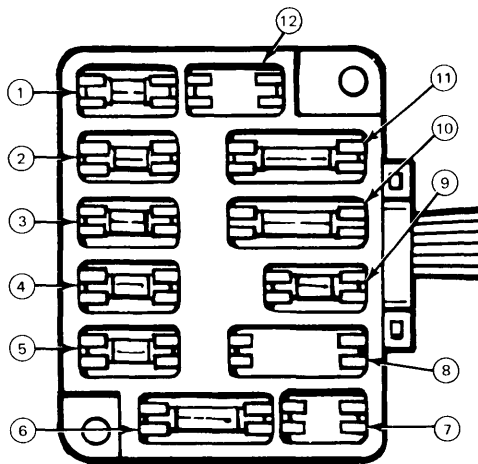
FUSE BLOCK

Pinto — Located to right side of steering column attached to pedal support bracket.

FLASHERS

Flashers are located above glove box.

5FO01



PINTO FUSE BLOCK

PINTO FUSE BLOCK CIRCUITS

- ① — 15 amp. Heater (optional 30 amp. air conditioner).
- ② — 15 amp. Turn signal, back-up lights.
- ③ — 7.5 amp. Radio.
- ④ — 15 amp. Windshield washer, rear window defogger system, anti-theft module.
- ⑤ — 4 amp. Instrument and panel illumination.
- ⑥ — 14 amp. Warning lights for; engine, brakes, seat belts, liftgate open. Power to; seat belt buzzer and module, emission control solenoids.
- ⑦ — Blank.
- ⑧ — Blank.
- ⑨ — 20 amp. Horn, cigar lighter.
- ⑩ — 15 amp. Stop lights, hazard flashers.
- ⑪ — 15 amp. Dome, map, glove box, cargo & luggage compartment lights, key & headlights "ON" warning buzzer, anti-theft horn & trigger feed, seat belt module.
- ⑫ — Blank.

PINTO FUSES & CIRCUIT BREAKERS NOT LOCATED IN FUSE BLOCK

18 Amp. C.B. — Located integral with headlight switch; protects headlights.

15 Amp. C.B. — Located integral with headlight switch; protects horn, stop, rear, license, marker, park lights, instrument panel and cluster lights, shift quadrant light, heater, air conditioner, console light, headlight switch illumination, windshield wiper switch illumination light, and cigar lighter light.

C.B. — Located integral with windshield wiper switch; protects wiper motor circuits.

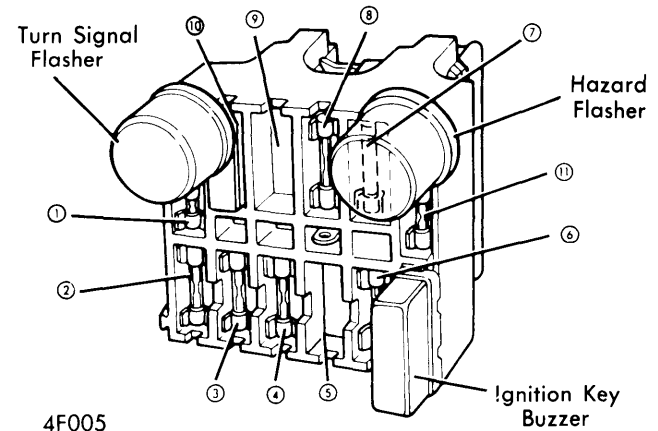
Fuse Links — A separate fuse link for each of the following protects heated backlite, load circuit and electric choke.

FUSE BLOCK

Torino, Montego & Cougar — Located at left of steering column on firewall.

FLASHERS

Turn signal and hazard flashers are located on fuse block.



TORINO, MONTEGO & COUGAR FUSE BLOCK

TORINO, MONTEGO & COUGAR FUSE BLOCK CIRCUITS

- ① — 4 amp. Instrument panel and cluster illumination, shift quadrant indicator light, radio, clock lights, windshield wiper switch, headlight switch and heater and air conditioner switch illumination.
- ② — 20 amp. Air conditioner clutch, back-up lights, turn signals.
- ③ — 20 amp. Heater (optional 30 amp. air conditioner).
- ④ — 15 amp. Courtesy, dome & reading lights, cargo, glove box, luggage compartment & console illumination lights, key warning buzzer, seat back latch control.
- ⑤ — 15 amp. Hazard warning system, stop lights.
- ⑥ — 15 amp. Cigar lighter.
- ⑦ — 15 amp. Radio.
- ⑧ — 20 amp. Back-up lights, windshield washer, power window relay control, door ajar warning light, heated rear window relay control, police accessory relay control, park brake warning light.
- ⑨ — 8.25 amp. circuit breaker. Windshield wiper (20 amp. police accessory feed).
- ⑩ — 25 amp. Accessory feed.
- ⑪ — 7.5 amp. Indicator lights, dual brake system, seat belt warning light and buzzer, and solenoid throttle positioner.

Fuses & Circuit Breakers

FORD MOTOR CO. (Cont.)

MONTEGO, TORINO, COUGAR FUSES & CIRCUIT BREAKERS NOT LOCATED IN FUSE BLOCK

18 Amp. C.B. — Located integral with headlight switch; protects headlights.

15 Amp. C.B. — Located integral with headlight switch; protects parking lights, marker lights, license lights, tail lights, horns, console shift quadrant indicator light, lights "ON" buzzer and relay.

C.B. — Located integral with windshield wiper switch; protects wiper motor circuits.

C.B. — Located integral with windshield wiper switch; protects intermittent windshield wiper.

7.5 Amp. Fuse — Located in feed line; protects engine compartment light.

20 Amp. C.B. — Located on starter relay; protects power windows, power seat, and power rear window.

C.B. — Located in motor; protects window and seat motors.

4 Amp. Fuse — Located in feed line; protects electric fuel pump.

Fuse Link — Located in wiring harness; protects seat back latch power feed.

FUSE BLOCK

Thunderbird & Continental Mark IV — Located left of steering column on firewall.

FLASHERS

Thunderbird & Continental Mark IV — Turn signal flasher is located on left hand side of instrument panel. Hazard flasher is on fuse block.

THUNDERBIRD, CONTINENTAL MARK IV FUSES & CIRCUIT BREAKERS NOT LOCATED IN FUSE BLOCK

20 Amp. C.B. — Located integral with headlight switch; protects parking lights, license light, tail lights, marker lights, headlight "ON" relay, indicator light feed, and headlight buzzer.

20 Amp. C.B. — Located integral with headlight switch; protects headlight circuit.

8.25 Amp. C.B. — Located integral with windshield wiper switch; protects windshield wiper circuits.

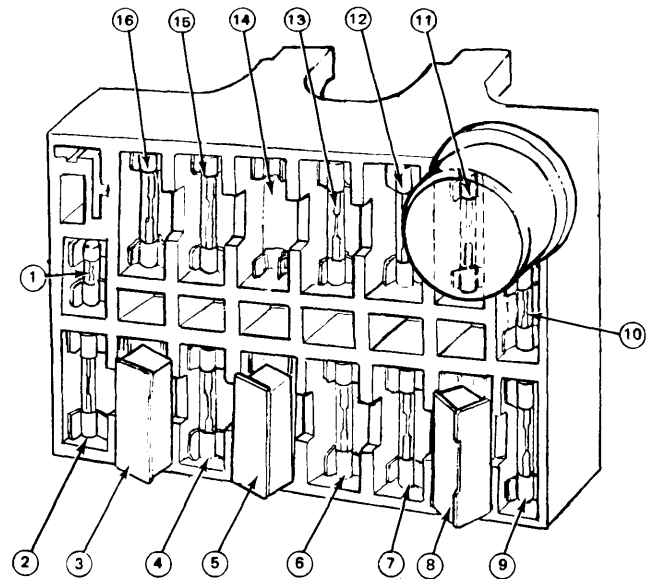
20 Amp. C.B. — Located near fuse block; protects power window circuits.

30 Amp. C.B. — Located near fuse block; protects power seat and power seat latch.

20 Amp. C.B. — Located near fuse block; protects stop lights.

C.B. — Located integral with wiper switch; protects wiper motor circuits.

4 Amp. Fuse — Located in feed line; protects automatic headlight dimmer.



5FO02

THUNDERBIRD & CONTINENTAL MARK IV FUSE BLOCK

THUNDERBIRD & CONTINENTAL MARK IV FUSE BLOCK CIRCUITS

- ① — 6 amp. Instrument panel and cluster lights, heater or air conditioner, headlight switch, radio, ash tray, cigar lighters, clock, windshield wipers and PRND21 lights.
- ② — 20 amp. Air conditioning clutch, turn signals, back-up lights.
- ③ — 30 amp. circuit breaker. Air conditioner.
- ④ — 15 amp. Courtesy lights, glove box, luggage compartment, clock feed, console, dome, map, ignition key warning buzzer and seatback latch control.
- ⑤ — 30 amp. circuit breaker. Power seats, power latch and horns.
- ⑥ — 30 amp. Heated windshield & backlite.
- ⑦ — 20 amp. Cigar lighter (rear doors).
- ⑧ — 20 amp. circuit breaker. Stop lights and hazard warning system.
- ⑨ — 20 amp. Cigar lighter, instrument panel and electric door lock system.
- ⑩ — 5 amp. Sure-track brake system.
- ⑪ — 7.5 amp. Warning lights, door ajar, seat belt, low fuel, oil pressure, water temperature, dual brake warning, electronic spark control (Calif. only).
- ⑫ — 7.5 amp. Cornering lights.
- ⑬ — 15 amp. Radio, power antenna, back-up and turn signal lights.
- ⑭ — Blank
- ⑮ — 7.5 amp. Windshield washer, rear window defroster feed, relay coil feed and speed control.
- ⑯ — 7.5 amp. Power window relay coil feed.

FUSE BLOCK

Granada & Monarch — Located in lower part of instrument panel.

FORD MOTOR CO. (Cont.)

GRANADA & MONARCH FUSES & CIRCUIT BREAKERS NOT LOCATED IN FUSE BLOCK

18 Amp. C.B. — Located integral with headlight switch; protects headlights and high beam indicator.

15 Amp. C.B. — Located integral with headlight switch; protects horn, stop, tail, park & license lights, feed to fuse number three.

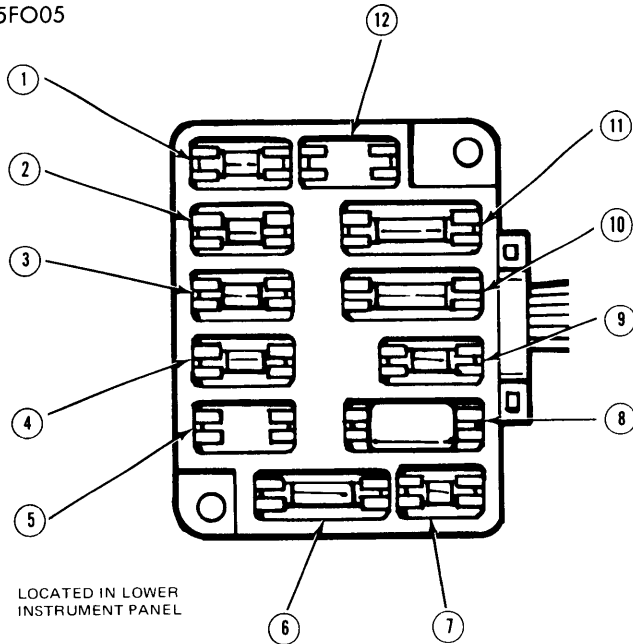
C.B. — Located integral with windshield wiper switch; protects windshield wiper motor.

Fuse Links — A separate fuse link for each of the following protects electric rear window defroster, load circuit and electric choke.

GRANADA & MONARCH FUSE BLOCK CIRCUITS

- ① — 15 amp. Heater (optional 30 amp. for air conditioner).
- ② — 15 amp. Turn signals, back-up lights.
- ③ — 7.5 amp. Radio or tape player.
- ④ — 15 amp. Windshield washer, accessory.
- ⑤ — Blank.
- ⑥ — 14 amp. Instrument panel warning lights.
- ⑦ — 4 amp. Instrument panel illumination lights.
- ⑧ — 6 amp. circuit breaker. Windshield wiper.
- ⑨ — 20 amp. Horns, cigar lighter.
- ⑩ — 15 amp. Hazard flashers.
- ⑪ — 15 amp. Courtesy lights, stop lights.
- ⑫ — Blank.

5FO05



GRANADA & MONARCH FUSE BLOCK