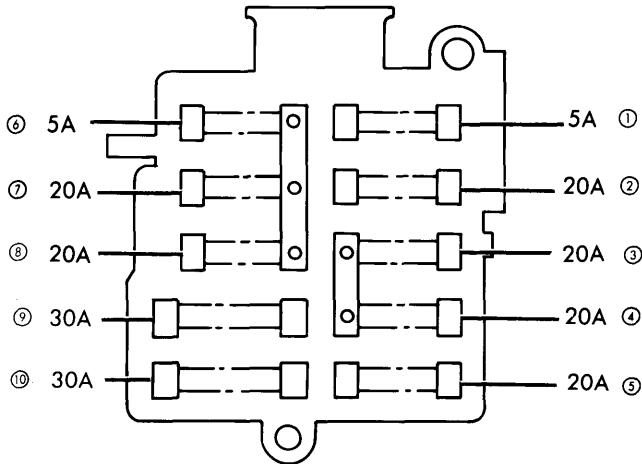


## CHRYSLER &amp; IMPERIAL

## FUSE BLOCK

Fuses (except in-line) are located in fuse block which is mounted under instrument panel to left of steering column. Fuse block swings down into view after turning locking tab 90°. To raise block, depress top of hinge arms and push up, then turn locking tab to secure block.



4CHA01

- ① — Instrument cluster lamps (also in cavity 2), windshield wiper switch title lamp, headlight switch title lamp (with sentinel only), power antenna switch lamp, clock lamp, cigar lighter & ash tray light, radio lamp, heater & A/C control lamp, right ash tray lamp (Chrysler models), heated rear window switch lamp.
- ② — License lamps, tail lamps, park lamps, side marker lamps, instrument cluster lamps (also in cavity 1).
- ③ — Ignition switch lamp time delay relay, ignition switch lamp, headlight switch title lamp, hazard flasher circuit, windshield wiper switch title lamp, stop lamps, seat belt key in headlight on buzzer, glove box lamp, map lamp, dome lamp, trunk lamp.
- ④ — Horn relay, horns, cigar lighter, clock, power antenna, seat belt lamp.
- ⑤ — Oil warning lamp, brake warning lamp, door ajar lamp, temperature gauge, fuel gauge, voltage limiter, seat belt interlock, power window relay, electric trunk lid release, EGR maintenance reminder lamp.
- ⑥ — Radio.
- ⑦ — Speed control, rear window defogger, A/C compressor clutch, ATC vent relay.
- ⑧ — Turn signal circuit, back-up lamps, cornering lamps.
- ⑨ — A/C blower motor, hidden headlight relay, headlight sentinel amplifier, heater blower motor.
- ⑩ — A/C high blower relay.

## CHRYSLER-IMPERIAL FUSE BLOCK

## IN-LINE FUSES

**Automatic Temperature Control** — 1 Amp.

**Tailgate Lock** — 20 Amp.

**Automatic Headlight Dimmer** — 4 Amp.

## CIRCUIT BREAKERS

**15 Amp.** — Power door locks, front seat back latch release solenoid, reading lamps (Imperial models), rear cigar lighter (Imperial models), front & rear door courtesy lamps (Imperial models).

**30 Amp.** — Power windows & seats, trailer tow tail lamps.

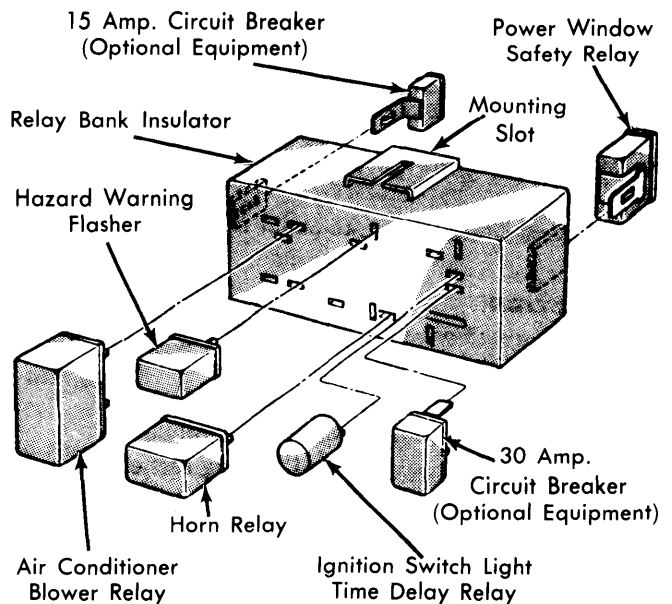
**40 Amp.** — Trailer tow (trailer battery).

**Turn Signal Flasher** — Mounted on left side of steering column mounting bracket reinforcement. Flasher is serviced by replacement if found defective.

**Hazard Warning Flasher** — Mounted on relay bank.

## RELAY BANK

Some relays and circuit breakers are mounted in one insulator bank. Relay bank is located just above fuse block under instrument panel.



4CH02

## RELAY BANK

## FUSIBLE LINKS

Several fusible links may be used depending on equipment options. One, located at battery, protects main battery feed with 100 Amp. alternator and battery feed accessories. Four links, located at right lower portion of firewall, protect battery feed, exterior lamps and battery accessories, ignition switch feed, field load relay and heated rear window. Two final links, located at starter relay, protect battery feed accessories with 100 Amp. alternator only, and trailer tow brake controller.