

1974 CHRYSLER & IMPERIAL

CAUTION — Disconnect fusible link in engine compartment before servicing instrument panel.

STOP LIGHT SWITCH

Switch is located on brake pedal bracket. Adjust switch so stop lights come on when brake pedal pad is depressed $\frac{1}{2}$ " from released position.

INSTRUMENT CLUSTER REMOVAL

Gear Selector & Warning Light Bezel (Imperial Only) — Place gear selector in "L" position. Using needle nose pliers, hold trip odometer reset shaft and remove knob. Remove bezel by pulling from panel. To install, reverse removal procedure.

Instrument Cluster Bezel — Place gear selector in "L" position. Remove ash tray. Remove gear selector bezel (Imperial only). Remove screws at bottom edge of cluster bezel. Center temperature control lever. Disengage clips along top of bezel by pulling bezel out. Disconnect electrical leads and remove bezel. To install, reverse removal procedures.

Gear Selector & Warning Light Bezel (Chrysler Only) — Remove cluster bezel. Use needle nose pliers to hold trip odometer reset shaft and remove knob. Remove bezel mounting screws and bezel. To install, reverse removal procedure.

Cluster Lens — Remove cluster bezel. Remove gear selector bezel (Chrysler only). Remove gear shift indicator pointer. Remove nylon pins securing lens to cluster housing. Roll lens out from top and remove carefully. To install, reverse removal procedures.

Cluster Gauges — Gauges may be removed for service after removing cluster lens.

Cluster Housing — Remove instrument panel upper cover. Working through access hole in top of panel, disconnect speedometer cable and round printed circuit board multiple connector. Remove cluster bezel, gear selector bezel (Chrysler only) and cluster lens as previously outlined. Remove cluster housing to cluster carrier mounting screws. Pull cluster assembly out and disconnect illumination lights, warning light modules, and electrical leads. Remove instrument cluster assembly. To install cluster housing, reverse removal procedure.

PRINTED CIRCUIT BOARDS

Illumination & Turn Signal Light Board — Remove cluster housing and all light socket assemblies. Remove printed circuit board mounting screws. Carefully remove printed circuit board. To install, reverse removal procedure. Do not over tighten circuit board mounting screws during reassembly.

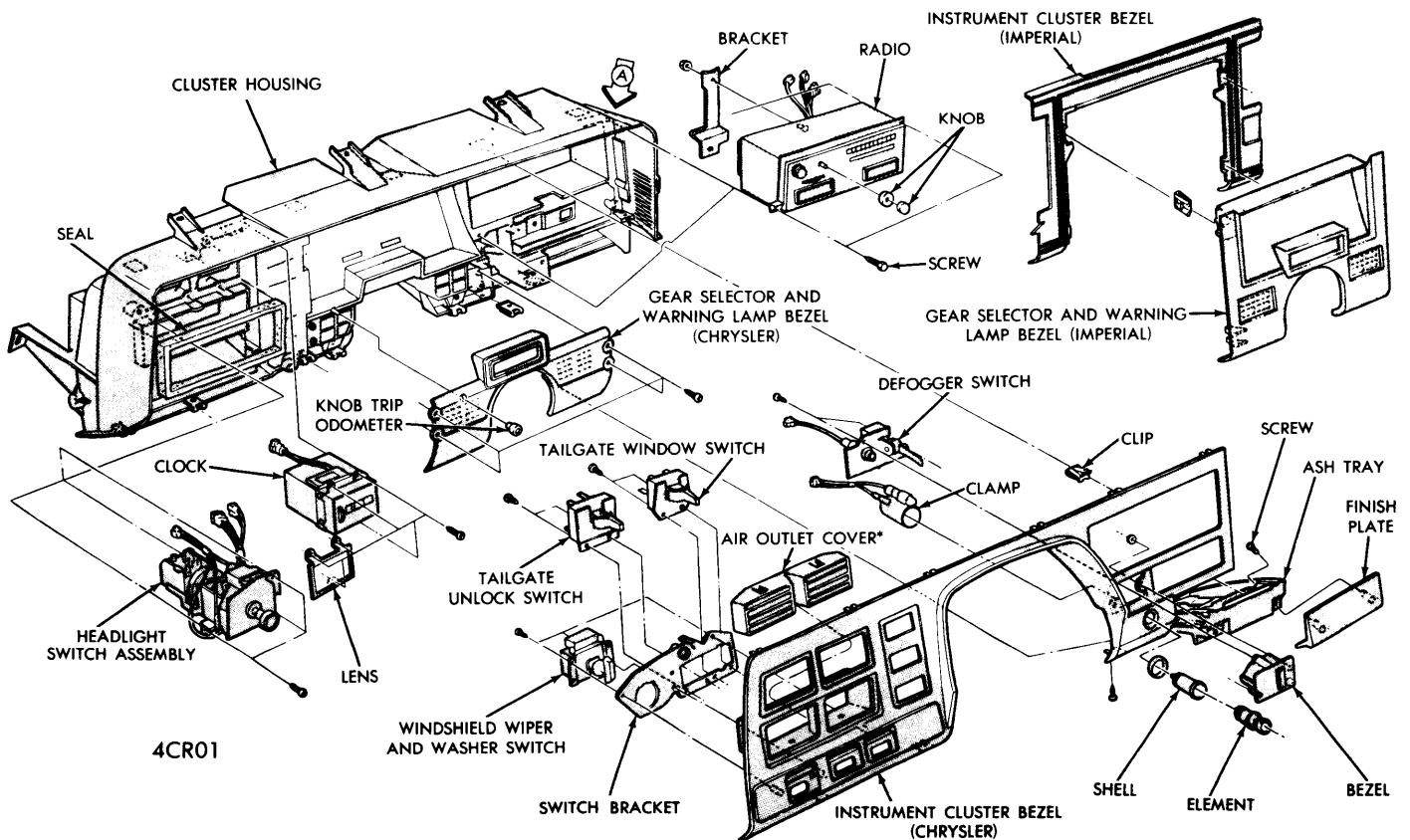
Gauges & Illumination Board — Remove cluster housing. Remove voltage limiter and circuit board mounting screws. Carefully remove circuit board. To install, reverse removal procedure. Do not over tighten circuit board mounting screws during reassembly.

INSTRUMENT PANEL SWITCHES

Instrument panel switches may be removed from front of panel after removing cluster bezel.

SPEEDOMETER REMOVAL

Remove cluster lens and instrument panel upper cover. From access hole in top of panel, disconnect speedometer cable. Remove speedometer to cluster housing mounting screws and remove speedometer assembly. To install speedometer, reverse removal procedure.



CHRYSLER & IMPERIAL INSTRUMENT CLUSTER