

**1973 VEGA****INSTRUMENT PANEL PAD**

All instruments, gauges, and speedometer cable are removed from front of cluster.

**Standard & GT Models** — Remove clock stem knob. Remove instrument cluster bezel (9 screws on standard cluster, 6 screws on GT cluster). Remove one screw at lower left edge of pad and three screws at lower right side of pad. Rap lower right edge of pad upward with palms of hands, to disengage the three retaining slips at top right of pad.

**INSTRUMENT CLUSTER**

**Fuel Gauge & Speedometer (Standard Models)** — Disconnect battery ground cable, then remove cluster bezel (secured by 9 screws). Remove instrument cluster lens — light shield combination (two screws at top of lens and two screws at bottom of light shield). Tip lens out at top and lift off. Remove clock set knob (if equipped). Remove two OUTER

screws at bottom of speedometer face and lift out head. Remove two screws securing fuel gauge face to cluster carrier and with a small bladed screwdriver, release locking tab while gently rocking gauge, then pull straight out, far enough to disconnect electrical plug. If speedometer cable replacement is necessary, reach into speedometer cable casing (with a pair of needle nose pliers) and pull cable out.

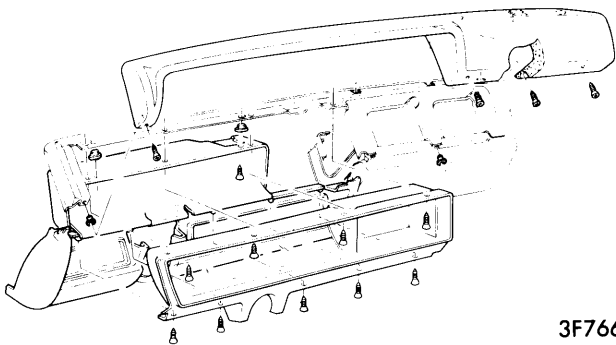
**Gauges & Speedometer (GT Models)** — All six instruments are removed in the same steps. Disconnect ground cable from battery, then remove knob from clock stem. Remove six screws securing cluster bezel. Remove lens light shield by removing six screws and lifting shield straight out. Remove two screws (three screws for tachometer) and lift out each instrument, disconnecting electrical plug on fuel gauge, clock, tachometer, temp. gauge, and ammeter. If speedometer cable replacement is necessary, reach into speedometer cable casing (with a pair of needle nose pliers) and pull cable out.

**STOP LIGHT SWITCH**

Located on brake pedal bracket. Adjust by bringing brake pedal to normal position. Electrical contact should be made when the brake pedal is now depressed 1/8-5/8" from its fully released position. Switch may be repositioned by rotating or pulling in the clip.

**HEADLIGHT SWITCH**

Disconnect ground cable at battery and pull switch control knob to "ON" position. Reach up under instrument panel and depress switch shaft retainer button while pulling on the switch control shaft knob. With a large bladed screwdriver, remove the light switch ferrule nut from front of instrument panel. Disconnect the multi-contact connector from the side of the switch. (A small screwdriver will aid in prying the connector from the switch body).



3F766

**VEGA INSTRUMENT CLUSTER REMOVAL**