

Power Seat Controls

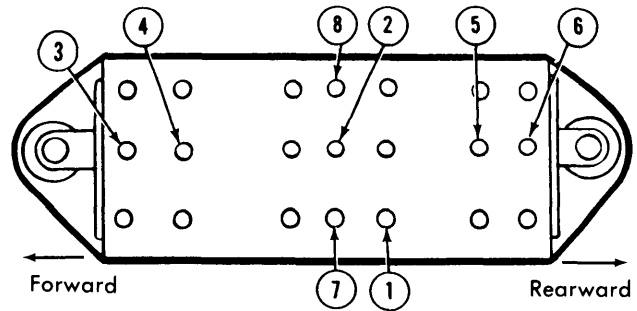
1973-74 FORD MOTOR CO. 6-WAY

DESCRIPTION & OPERATION

The 6-way power seat provides horizontal, vertical, and vertical tilt adjustments. It consists of a reversible three armature motor, a switch and housing, vertical worm gear drives, and horizontal rack and pinion drives.

The electrical circuit is protected by either a 20 or 30 Amp circuit breaker. Circuit breaker is mounted on starter solenoid on Ford, Mercury, Meteor, Torino, and Montego models, and in the fuse panel on Thunderbird, Continental, and Mark IV models.

Horizontal and vertical drive units are servicable individually. The motor which contains three armatures is serviced only as an assembly. Flexible drive shafts are serviced individually and can be removed by removing the corbin clamps.



Switch Positions ①

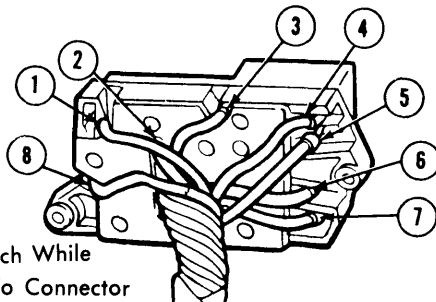
| 4-WAY KNOB | REAR TILT | FRONT TILT | CONTINUITY |
|--------------|--------------|--------------|---------------------------|
| NEUT. (DEAD) | NEUT. (DEAD) | NEUT. (DEAD) | 2-3-4-5-6-7-8, 1 ISOLATED |
| FORWARD | NEUT. (DEAD) | NEUT. (DEAD) | 1-7, 2-3-4-5-6-8 |
| REARWARD | NEUT. (DEAD) | NEUT. (DEAD) | 1-8, 2-3-4-5-6-7 |
| UP | NEUT. (DEAD) | NEUT. (DEAD) | 1-4-6, 2-3-5-7-8 |
| DOWN | NEUT. (DEAD) | NEUT. (DEAD) | 1-3-5, 2-4-6-7-8 |
| NEUT. (DEAD) | UP | NEUT. (DEAD) | 1-6, 2-3-4-5-7-8 |
| NEUT. (DEAD) | DOWN | NEUT. (DEAD) | 1-5, 2-3-4-6-7-8 |
| NEUT. (DEAD) | NEUT. (DEAD) | UP | 1-4, 2-3-5-6-7-8 |
| NEUT. (DEAD) | NEUT. (DEAD) | DOWN | 1-3, 2-4-5-6-7-8 |

① — Test switch with test light or ohmmeter with switch disconnected from wiring harness.

4FO02

1974 SEAT MOUNTED SWITCH TEST

USE A BATTERY POWERED TEST LIGHT OR AN OHMMETER

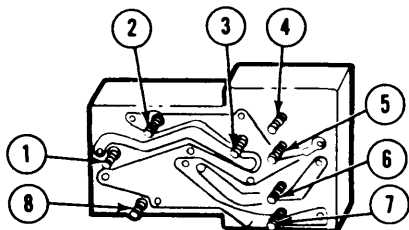


Test Switch While Attached To Connector

Switch Positions

| 4-WAY KNOB | REAR TILT | FRONT TILT | POWER ① | GROUND ① |
|------------|-----------|------------|---------|-------------|
| NEUT. | NEUT. | NEUT. | 3 ONLY | 1-2-4-5-6-7 |
| FOREWARD | NEUT. | NEUT. | 2-3 | 1-4-5-6-7-8 |
| REARWARD | NEUT. | NEUT. | 3-8 | 1-2-4-5-6-7 |
| UP | NEUT. | NEUT. | 3-4-6 | 1-2-5-7-8 |
| DOWN | NEUT. | NEUT. | 3-5-7 | 1-2-4-6-8 |
| NEUT. | UP | NEUT. | 3-6 | 1-2-4-5-7-8 |
| NEUT. | DOWN | NEUT. | 3-7 | 1-2-4-5-6-8 |
| NEUT. | NEUT. | UP | 3-4 | 1-2-5-6-7-8 |
| NEUT. | NEUT. | DOWN | 3-5 | 1-2-4-6-7-8 |

Use Self-Powered Test Light Or Ohmmeter



Switch Terminals ①

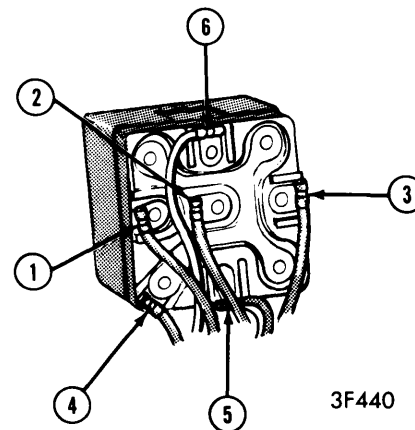
4FO01

Switch Positions

| 4-WAY KNOB | REAR TILT | FRONT TILT | CONTINUITY |
|------------|-----------|------------|------------------------------|
| NEUT. | NEUT. | NEUT. | 1-2-4-5-6-7-8- (N3 ISOLATED) |
| FOREWARD | NEUT. | NEUT. | 2-3, 1-4-5-6-7-8 |
| REARWARD | NEUT. | NEUT. | 3-8, 1-2-4-5-6-7 |
| UP | NEUT. | NEUT. | 3-4-6, 1-2-5-7-8 |
| DOWN | NEUT. | NEUT. | 3-5-7, 1-2-4-6-8 |
| NEUT. | UP | NEUT. | 3-6, 1-2-4-5-7-8 |
| NEUT. | DOWN | NEUT. | 3-7, 1-2-4-5-6-8 |
| NEUT. | NEUT. | UP | 3-4, 1-2-5-6-7-8 |
| NEUT. | NEUT. | DOWN | 3-5, 1-2-4-6-7-8 |

① — Terminal No. 1 is always grounded and terminal No. 3 is always power feed.

1974 ARM REST MOUNTED SWITCH TEST



3F440

- ① MOTOR TERMINAL - FORWARD
- ② GROUND
- ③ MOTOR TERMINAL - REARWARD
- ④ BATTERY FEED
- ⑤ MOTOR TERMINAL - DOWN
- ⑥ MOTOR TERMINAL - UP

1973 SEAT SWITCH TEST CONNECTIONS

TESTING

NO SEAT MOVEMENT

The following checks can be of help in isolating a defective or malfunctioning component. Make checks in sequence indicated.

1) Check circuit breaker feed "in" and operating current "out". Check circuit for continuity from circuit breaker to control switch.

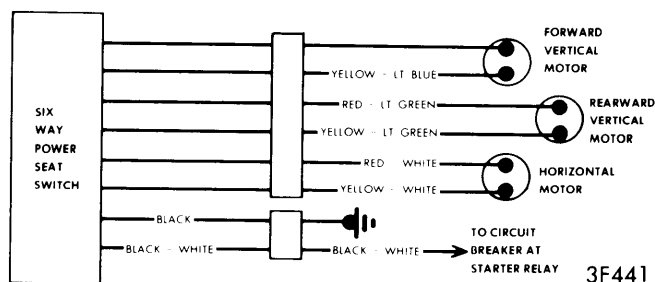
1973-74 FORD MOTOR CO. 6-WAY (Cont.)

- 2) Check connector and harness from control switch on motor. Check motor for a good ground.
- 3) Check for stuck or binding mechanical components.

SOME SEAT MOVEMENT

If the seat will adjust in one or more planes but not in all, it can be assumed that current is available at control switch, therefore, an existing defect may be isolated as follows.

- 1) Test control switch for current "out" in each of the switch positions, see illustration for circuit identification on switch. Jiggle the switch button in each position to check for intermittent contact. Check wiring for continuity between control switch and motor connectors.
- 2) Check for proper ground circuit of seat assembly and motor. Check each motor for rotation in both directions as current is applied to motor terminals. If any motor does not function in both directions it necessitates replacement of entire motor.



FORD MOTOR CO. SIX-WAY POWER SEAT WIRING (BENCH SEAT)

COMPONENT REPLACEMENT

SEAT TRACK

Removal - Seat sensor switch wiring must be disconnected before removing seat. Remove nuts or bolts retaining seat

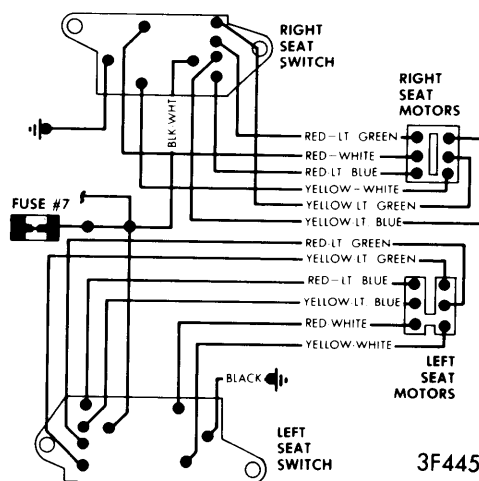
track to floor pan. Lift seat up enough to disconnect seat motor wires. Then remove two bolts attaching seat belts to floor. Remove seat and track assembly from vehicle.

2) Remove shield from outboard side of seat cushion (if equipped). Remove two bolts attaching each track to seat frame and remove track assembly from seat. To install, reverse removal procedure.

MOTOR & DRIVE CABLES

Removal - Seat sensor switch wiring must be disconnected before removing seat. Remove nuts or bolts retaining seat track to floor pan. Lift seat up enough to disconnect seat motor wires. Then remove two bolts attaching seat belts to floor. Remove seat and track assembly from vehicle.

2) Remove three motor-to-bracket attaching bolts. Remove clamps retaining drive cables to seat tracks. Then open wire retaining straps and remove motor assembly and cables from seat track assembly. Remove cable retaining brackets to remove cables from motor. To install, reverse removal procedure.



FORD MOTOR CO. SIX-WAY POWER SEAT WIRING (SPLIT BENCH)