

## 1973 FORD MOTOR CO. 4-WAY

### ► CHANGES, CAUTIONS, CORRECTIONS

► **NOISY AND/OR RESTRICTED TRAVEL** — May be due to studs installed in place of screws at rear track-to-floor attachments. To correct, remove studs and install 3/8"-16 by 1 1/4" hex screws.

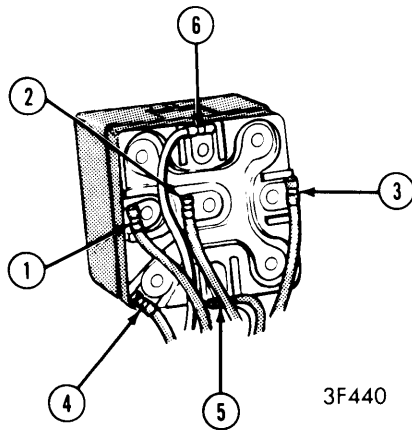
2) Remove horizontal cable, vertical cable, and tube from drive assemblies. Remove front seat track assist spring, then remove the two horizontal front seat track drive assembly screws. Remove (grind or drill) the two front seat regulator horizontal nut support attaching rivets and remove support and horizontal drive assembly.

### DESCRIPTION & OPERATION

Four way power seat provides fore and aft movement of the seat as well as up and down movement of front edge of seat resulting in tilting action. Seat is driven by a dual electric motor through two gear boxes and two flexible drive cables. A control switch located under left front edge of seat directs current to motor.

### TESTING

USE A BATTERY POWERED TEST LIGHT OR AN OHMMETER



- ① MOTOR TERMINAL - FORWARD
- ② GROUND
- ③ MOTOR TERMINAL - REARWARD
- ④ BATTERY FEED
- ⑤ MOTOR TERMINAL - DOWN
- ⑥ MOTOR TERMINAL - UP

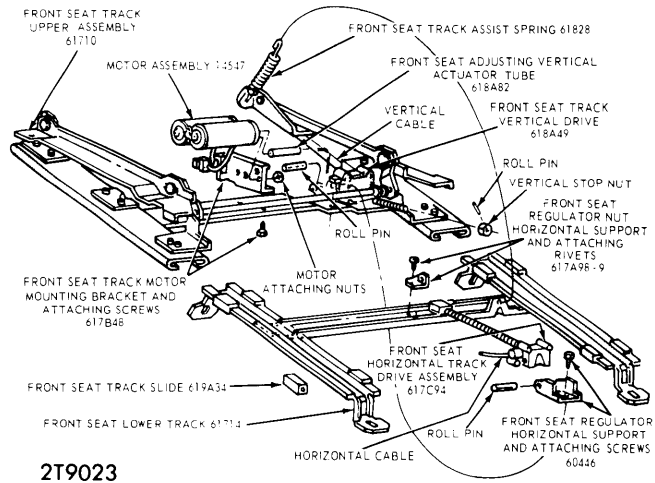
### SEAT SWITCH TEST CONNECTIONS

### COMPONENT REPLACEMENT

#### SEAT TRACK

**Removal** — Seat sensor switch must be disconnected from seat belt wiring connector before removing seat. Using control switch, raise seat and position it to rearmost position. Remove rear seat track attaching screws. Remove outboard seat track front attaching screws and inboard seat track attaching nuts. Disconnect motor feed and switch wiring, and remove seat from vehicle. With seat removed, track may be removed from seat and disassembled as follows:

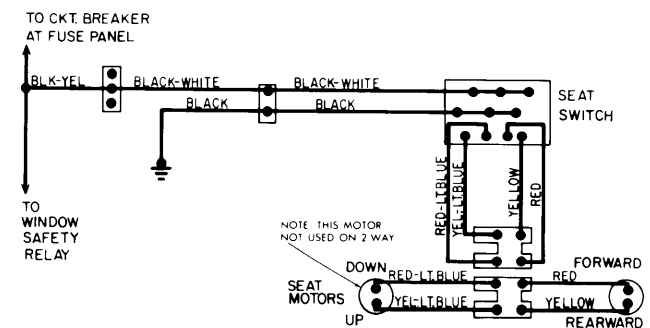
1) Remove four seat cushion attaching screws at each corner of upper track, and remove track assembly from seat. Remove two front seat track motor mounting bracket screws from bottom side of track and remove motor and bracket.



### 4-WAY SEAT TRACK ASSEMBLY

3) Remove horizontal drive roll pin, and remove front seat regulator horizontal support from drive assembly. Remove vertical drive assembly stop nut roll pin and remove nut from drive screw. Remove vertical drive assembly roll pin at attaching bracket and remove vertical drive assembly by unscrewing the drive screw out of vertical nut.

4) Remove front seat upper track assembly from front seat lower track assembly by sliding upper track forward until tracks disengage. Remove the four seat track slides from lower track assembly. To install, reverse removal procedure.



### 4-WAY POWER SEAT WIRING DIAGRAM