

1973 PONTIAC

FUSE BLOCK

Located on dash board schroud at left side, just above front edge of floor mat. On Grand Prix and Trans Am fuse block is under lower trim plate.

FUSIBLE LINK

14 Gauge Brown – At battery positive cable, protecting battery charging circuit.

16 Gauge Black – At horn relay, protecting all unfused wiring of 12 gauge or larger.

20 Gauge Orange – In battery feed to voltage regulator #3 terminal wire, protecting generator warning light and field circuitry.

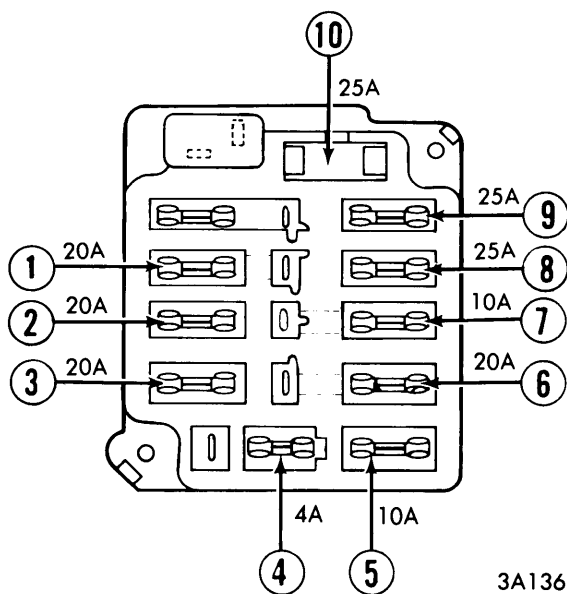
Two 20 Gauge Orange – In circuit at junction block and horn relay, protecting ammeter circuit.

CIRCUIT BREAKER

Power Seats, Windows, Tailgate, Conv. Top, Door Locks & Seat Backs – 40 ampere circuit breaker, which plugs into fuse block much like standard fuses.

IN-LINE FUSES

Air Conditioner Blower Motor – 30 ampere fuse located in-line at alternator.



PONTIAC FUSE BLOCK

- ① – Clock power, cigar lighter, deck lid release (A,B,G), seat belt warning buzzer. Courtesy, glove box, trunk & dome lights.
- ② – Tail, parking, cornering (B,G), side marker and license lights.
- ③ – Stop, hazard, dome (A,B,F,G), trunk (A,B,F,G) & courtesy (B,G) lights. Rear seat cigar lighters.
- ④ – Instrument panel, ash tray, clock, auto. trans. shift indicator, radio dial, cigar lighter illumination, heater or air cond. control & tachometer (cluster mounted A,G,F) lights.
- ⑤ – Transmission downshift. Oil pressure, temperature & fuel gauges. Hood mounted air scoop (A,F,G), low brake tell-tale, seat belt warning tell-tale & buzzer (F).
- ⑥ – Back-up & directional lights, rear window defog blower (A). Window control relay, tailgate relay (B) & seat belt warning buzzer (A,F,X) actuating coils.
- ⑦ – Radio, tape player, T.C.S. system & idle stop solenoid.
- ⑧ – Windshield wiper & washer.
- ⑨ – Heated rear glass & heater or air cond. blower motors (X).
- ⑩ – Heater or air cond. blower motors (A,B,F,G).