

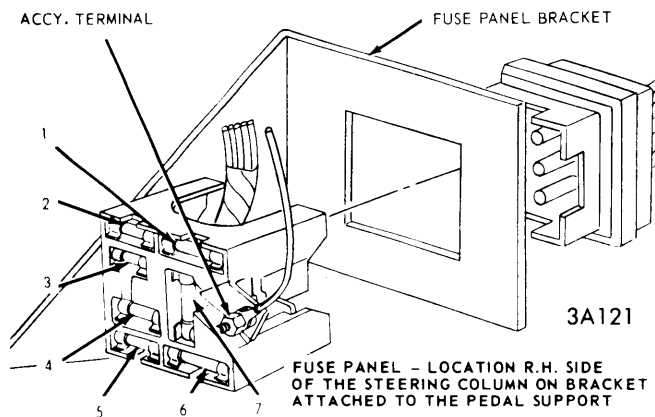
1973 MERCURY (V8)

COMET CIRCUIT BREAKERS

Horn, Stop, Marker, Parking, Tail & License Lights – 15 amp. circuit breaker integral with lighting switch.

Headlight Circuit – 18 amp. circuit breaker integral with lighting switch.

Windshield Wiper – 6 amp. circuit breaker integral with wiper switch.

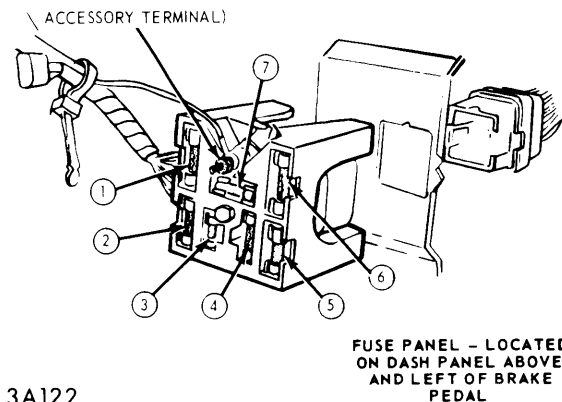


COMET FUSE BLOCK

Parking, Marker, License, Tail, & Shift Quadrant Lights, Headlight Warning Relay – 15 amp. circuit breaker integral with lighting switch.

Stop Lights & Emergency Warning System – 15 amp. circuit breaker on relay panel above glove box.

Window, Seat & Top Motors – Circuit breaker in motors.



3A122

COUGAR FUSE BLOCK

COMET FUSES

- ① – 20 amp. Hazard flasher, cigar lighter, clock feed (console only).
- ② – 14 amp. Courtesy, dome & luggage compartment light, ignition key warning buzzer.
- ③ – 4 amp. Instrument panel & cluster lights, shift quadrant lights, radio, clock & ashtray illumination.
- ④ – 14 amp. Warning lights, throttle positioner and/or emission control solenoid, seat belt buzzer and light.
- ⑤ – 14 amp. Heater & defroster. *NOTE* – 30 amp. required for air conditioning.
- ⑥ – 15 amp. Back-up lights, radio feed, windshield washer.
- ⑦ – 20 amp. Accessory feed, rear window defogger.

COUGAR FUSES

- ① – 20 amp. Horns, cigar lighter.
- ② – 14 amp. Courtesy, dome, map, luggage & glove compartment lights, seat belt latch relay, clock feed, ignition key warning, headlight buzzer.
- ③ – 4 amp. Instrument panel, cluster, ash tray & cigar lighter illumination.
- ④ – 14 amp. Warning lights.
- ⑤ – 14 amp. Heater & defroster. *NOTE* – 30 amp. required with air conditioning.
- ⑥ – 15 amp. Back-up lights, radio, windshield washer, turn signal warning system.
- ⑦ – 20 amp. Accessory feed, power window relay and rear window defroster.

COUGAR CIRCUIT BREAKERS

Headlight Circuit – 12 amp. circuit breaker integral with lighting switch.

Power Windows, Top, Seats & Seat Back Latch, Engine Compartment Light – 20 amp. circuit breaker on starter relay.

Windshield Wiper – 7 amp. circuit breaker integral with wiper switch.

MERCURY CIRCUIT BREAKERS

Headlight Circuit – 18 amp. circuit breaker integral with lighting switch.

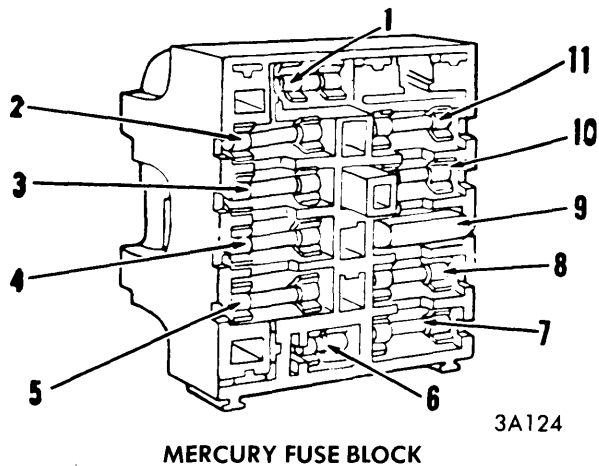
Tail, Park, License & Marker Lights, Horns and Tail Light Relay – 15 amp. circuit breaker integral with lighting switch.

Power Windows, Seats & Seat Back Latch – 20 amp. circuit breaker attached to starter relay.

Deck Lid Release – 6 amp. circuit breaker located at lower flange of instrument panel.

Fuses & Circuit Breakers

1973 MERCURY (V8) (Cont.)



MERCURY FUSE BLOCK

MERCURY FUSES

- ① - 7.5 amp. Warning lights.
- ② - 15 amp. Cigar lighter.
- ③ - 15 amp. Hazard flasher & stop lights.
- ④ - 15 amp. Courtesy lights, clock feed, door lock solenoid, key warning buzzer & seat back latch relay.
- ⑤ - Blank.
- ⑥ - 4 amp. Instrument & control illumination.
- ⑦ - 15 amp. Back-up lights & throttle positioner.
- ⑧ - 15 amp. Heater & Defroster. *NOTE - 30 amp. circuit breaker is used with air conditioning.*
- ⑨ - 8.25 amp. circuit breaker. Windshield Wiper System.
- ⑩ - 20 amp. Windshield washer, rear window defogger, power window safety relay, police accessory relay, cornering lights, intrusion alarm & speed control relay.
- ⑪ - 7.5 amp. Radio feed.

MONTEGO CIRCUIT BREAKERS

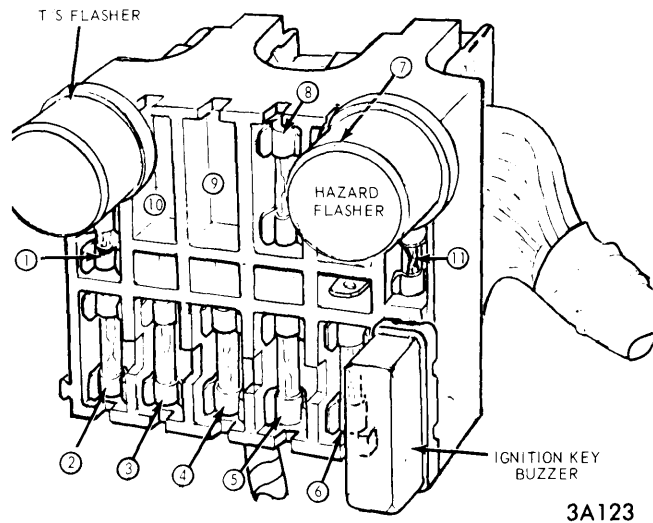
Headlight Circuit - 18 amp. circuit breaker integral with lighting switch.

Parking, Rear, License, Marker, Console & Shift Quadrant Lights, Horns and Headlight Warning Relay - 15 amp. circuit breaker integral with lighting switch.

Power Top, Seats, Windows - 20 amp. circuit breaker attached to starter relay.

Windshield Wiper - 7 amp. circuit breaker integral with wiper switch.

Power Window & Seat Motors - Circuit breaker in motors.



MONTEGO FUSE BLOCK

MONTEGO FUSES

- ① - 4 amp. Instrument panel & control illumination.
- ② - 7.5 amp. Courtesy lights, key warning buzzer & seatback latch.
- ③ - 15 amp. Cigar lighter.
- ④ - 15 amp. Hazard flasher & stop lights.
- ⑤ - 15 amp. Back-up lights & accessory feed.
- ⑥ - 25 amp. Heater & Defroster. *NOTE - 35 amp. required with air conditioning.*
- ⑦ - 15 amp. Radio feed.
- ⑧ - 15 amp. Windshield washer, power window relay, heated rear window relay, throttle positioner & door ajar warning light.
- ⑨ - Blank.
- ⑩ - Blank.
- ⑪ - 4 amp. Seat belt warning buzzer, emission control solenoid, warning light cluster.