

Fuses & Circuit Breakers

1973 MERCURY (6 CYL.)

COMET

Horn, Stop, Front & Rear Markers, Front Parking, Rear & License Lamps – 12 amp. circuit breaker integral with switch.

Headlamp Circuit – 8 amp. circuit breaker integral with switch.

Windshield Wiper – 6 Amp. circuit breaker integral with wiper switch.

MONTEGO

Headlamps – 13 amp. circuit breaker integral with switch.

Console, PRNDL, Horn, Stop, Parking, Rear License & Marker Lamps – 15 amp. circuit breaker also integral with headlamp switch.

Engine Compartment Lamp – 7.5 amp. fuse in feed line.

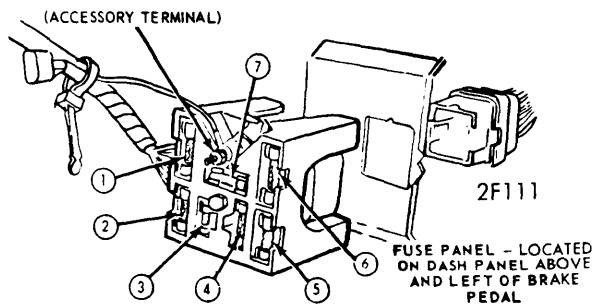
Windshield Wiper – 7 amp. circuit breaker integral with wiper switch.

Power Seat, Automatic Seat Back Latch, Power Windows – 20 amp. circuit breaker attached to starting motor relay.

Seat Motor & Window (Motors) – Circuit breakers integral with motors.

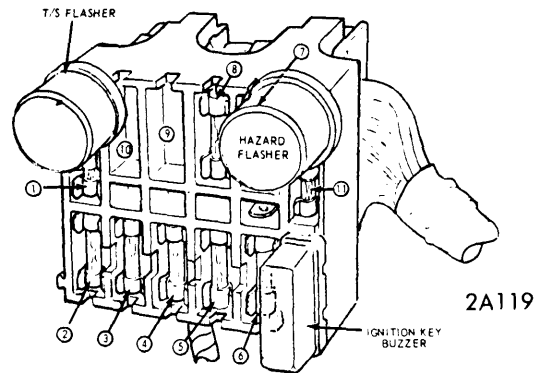
Heated Back Window – 14 GA. fuse link part of wiring.

Spot Lamp – 7.5 amp. fuse in feed line.



- ① (20 AMP.) HAZARD WARNING FLASHER, CIGAR LIGHTER AND CLOCK FEED (CONSOLE ONLY)
- ② (14 AMP.) COURTESY, DOME, LUGGAGE COMPARTMENT LIGHTS AND IGNITION KEY WARNING BUZZER
- ③ (4 AMP.) INSTRUMENT PANEL AND CLUSTER LIGHTS, RADIO, CLOCK, AND TRANSMISSION INDICATOR (PRND21) ILLUM. LIGHTS
- ④ (14 AMP.) INDICATOR LIGHTS, THROTTLE POSITIONER, EMISSION CONTROL SOLENOID, AND SEAT BELT WARNING BUZZER AND LIGHT
- ⑤ (14 AMP.) HEATER AND DEFROSTER (30 AMP.) FOR AIR CONDITIONER
- ⑥ (15 AMP.) BACK-UP LIGHTS, RADIO FEED AND WINDSHIELD WASHER
- ⑦ (20 AMP.) (RPO) ACCESSORY FEED – REAR WINDOW DEFOGGER

COMET FUSE BLOCK



LOCATED AT LEFT OF STEERING COLUMN ON DASH PANEL

- ① (4 AMP. FUSE) INSTRUMENT PANEL AND CLUSTER ILLUM. – TRANSMISSION INDICATOR (PRND21), RADIO, CLOCK LIGHTS, WINDSHIELD WIPER SWITCH, HEADLIGHT SWITCH AND HEATER – A/C SWITCH ILLUM.
- ② (7.5 AMP. FUSE) COURTESY, DOME AND READING LIGHTS, CARGO, GLOVE BOX, LUGGAGE COMPARTMENT AND CONSOLE ILLUM. LIGHTS, KEY WARNING BUZZER AND SEAT BACK LATCH CONTROL
- ③ (15 AMP. FUSE) CIGAR LIGHTER
- ④ (15 AMP. FUSE) HAZARD WARNING SYSTEM AND STOP LIGHTS
- ⑤ (BLANK)
- ⑥ (25 AMP. FUSE) (35 AMP. C.B.) HEATER – DEFROSTER – AIR CONDITIONER
- ⑦ (4 AMP. FUSE) INDICATOR LIGHTS, DUAL BRAKE SYSTEM, SEAT BELT WARNING LAMP AND BUZZER AND EMISSION CONTROL SOLENOID
- ⑧ (15 AMP. FUSE) RADIO
- ⑨ (15 AMP. FUSE) BACK-UP LIGHTS, WINDSHIELD WASHER, POWER WINDOW, RELAY CONTROL, DOOR OPEN WARNING LIGHT, HEATED REAR WINDOW RELAY CONTROL, THROTTLE POSITIONER, POLICE ACCESSORY RELAY CONTROL, PARK BRAKE WARNING LIGHT
- ⑩ (BLANK)
- ⑪ (20 AMP. C.B.) POLICE ACCESSORY FEED

MONTEGO FUSE BLOCK